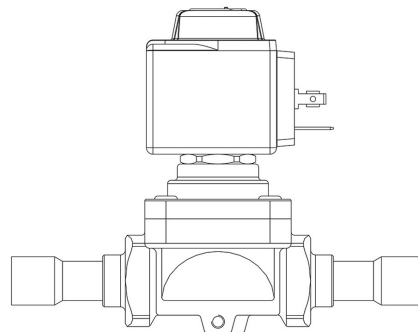


## Product Code

# 1048N/5A6

Solenoid Valve  
5/8"-16mm ODS 220-230V  
PS = 50 bar



**P**  **LYHEDRA**

### Product use

Accessories for use with the following ASHRAE 34:2019 refrigerants, Class A1, A2L, or A3:  
 HFC (R134A, R32, R404A, R407C, R410A, R507)  
 HFO (R1234YF, R1234ZE)  
 HFO + HFC (R448A, R449A, R450A, R452A, R452B, R454A, R454B, R454C, R455A, R513A, R515A, R515B)  
 HC (R290, R600, R600A, R1270)

These valves are sold in both the version without the coil (S suffix) and the version with the coil (A6 suffix for coils at 220 VAC).

### Product details

**Principio di funzionamento** Servocomando a pistone

**Tipo Bobina (1)** HF2

**Attacchi ODS Ø [in.]** 5/8"

**Attacchi ODS Ø [mm]** 16

**Kv [m<sup>3</sup>/h]** 3

**PS [bar]** 50

**TS [°C] min.** -40

**TS [°C] max.** +130

**Confezione n° pz** 14

## Notes

(1) : bobine montate sulle valvole