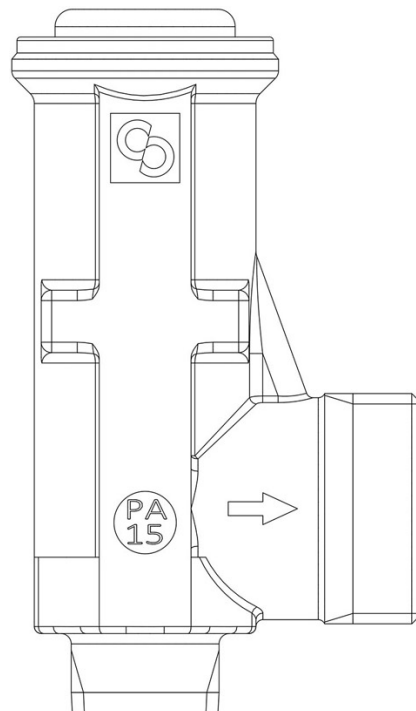


Product Code

3065/4G

Safety Valve



Product use

Safety valve series 3030, 3060, 3061 3065, 3030E and 3061E, unbalanced conventional direct load. The valve opens when the thrust exerted on the plunger by the refrigerant under pressure, under calibrated conditions, overcomes the opposing force of the spring acting on the plunger.

Safety accessories for use with refrigerant R744, belonging to Group 2 as defined in Article 13 of Directive 2014/68/EU. Calibration range:

- from 9 to 50 bar for series 3030 and 3060
- from 11 to 60 bar for series 3061 and 3065
- from 60 to 150 bar for series 3030E and 3061E

Product details

Attacchi IN 1/2" G

Attacchi OUT 1" G

Sezione orifizio [mm²] 132,7

Coefficiente di scarico Kd 0,87

Campo taratura [bar] 11 - 60

PS[bar] 70

TS[°C] min. -50

TS[°C] max. +150

Confezione n° pz 24

Notes