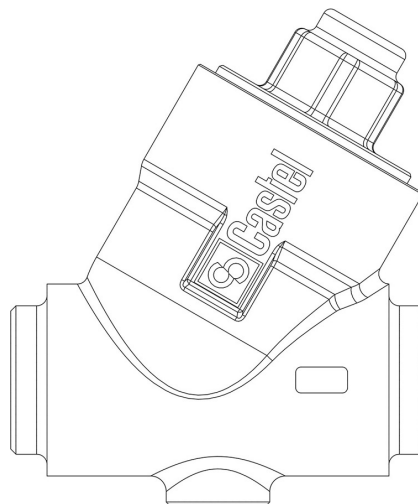


Product Code

3125N/M42

Check Valve
42mm ODS
PS = 50 bar



P  **LYHEDRA**

Product use

Accessories for use with the following ASHRAE 34:2019 refrigerants, Class A1, A2L, or A3:
 HFC (R134A, R32, R404A, R407C, R410A, R507)
 HFO (R1234YF, R1234ZE)
 HFO + HFC (R448A, R449A, R450A, R452A, R452B, R454A, R454B, R454C, R455A, R513A, R515A, R515B)
 HC (R290, R600, R600A, R1270)

Product details

Attacchi ODS Ø [in.]	-
Attacchi ODS Ø [mm]	42
ODM Ø [in.]	2"
ODM Ø [mm]	-
Kv [m ³ /h]	27
pressione differenziale (1) [bar]	0,3
PS [bar]	50
TS [°C] min.	-40
TS [°C] max.	+150
Confezione n° pz	1

Notes

(1) Minima pressione a cui la valvola è completamente aperta