

Product Code

3132W/2

Check Valve

1/4" ODS

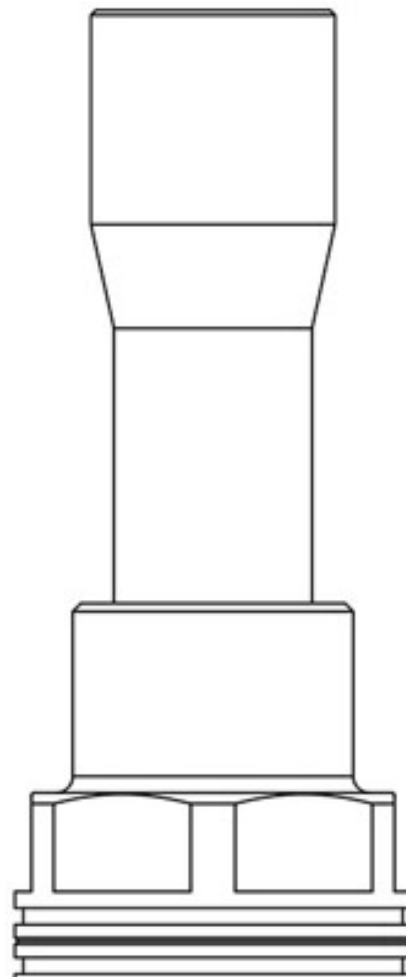
PS = 50 bar - 600 PSI

POLYHEDRA

CLASSIC

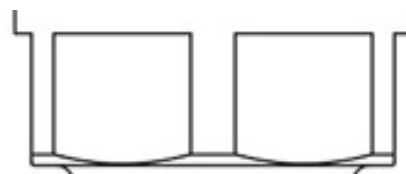
Product use

Accessories for use with the following ASHRAE 34:2019 refrigerants, Class A1, A2L, or A3:
 HFC (R134A, R32, R404A, R407C, R410A, R507)
 HFO (R1234YF, R1234ZE)
 HFO + HFC (R448A, R449A, R450A, R452A, R452B, R454A, R454B, R454C, R455A, R513A, R515A, R515B)
 HC (R290, R600, R600A, R1270)



Product details

| | |
|-----------------------------------|------|
| Attacchi SAE Flare | - |
| Attacchi ODS Ø [in.] | 1/4" |
| ODS Ø [mm] | - |
| Kv [m ³ /h] | 0,5 |
| Pressione differenziale (2) [bar] | 0,04 |
| PS [bar] | 50 |
| MWP [psi] (1) | 600 |
| TS [°C] min. | -40 |
| TS [°C] max. | +150 |



Notes

(1): in conformità a omologazione UL

(2): minima pressione a cui la valvola è completamente aperta