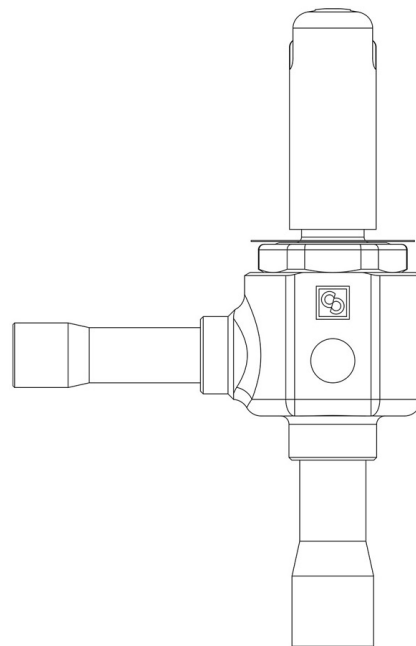


## Product Code

# 2028N/M10S00

PWM Expansion Valve  
10mmx12mm ODS Seat 00  
PS = 50 bar



## Product use

Accessories for use with the following ASHRAE 34:2019 refrigerants, Class A1, A2L, or A3:  
 HFC (R134A, R32, R404A, R407C, R410A, R507)  
 HFO (R1234YF, R1234ZE)  
 HFO + HFC (R448A, R449A, R450A, R452A, R452B, R454A, R454B, R454C, R455A, R513A, R515A, R515B)  
 HC (R290, R600, R600A, R1270)

These valves are only sold in the model without the coil (S suffix), with 9 nozzles assembled for an increasing output from 1 to 22 kW with R410A.

## Product details

<b>Tipo orificio</b>	00
<b>Attacchi In Ø [in.]</b>	-
<b>Attacchi In Ø [mm]</b>	10
<b>Out Ø [in.]</b>	-
<b>Out Ø [mm]</b>	12
<b>Kv [m<sup>3</sup>/h]</b>	0,0027
<b>PS [bar]</b>	50
<b>TS [°C] min.</b>	-40
<b>TS [°C] max.</b>	+100
<b>Confezione n° pz</b>	17

## Notes

per le potenzialità nominali vedere tabella dei gruppi orificio