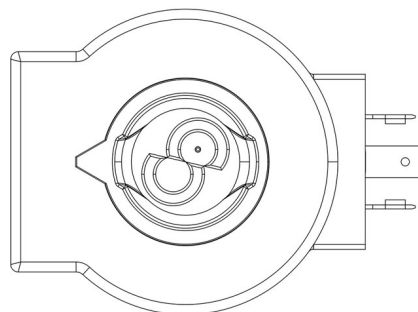
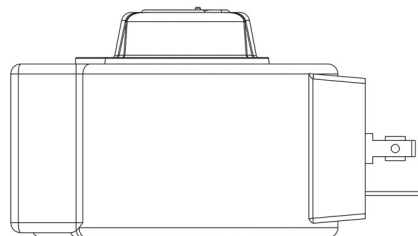


Product Code

9320/RD1

Coil Type HF3
12VDC



Product use

Coils with the new ?FAST LOCK? fixing system, series 9320, and coils with gear fixing systems, series 9120 and 9121 to be used with normally closed solenoid valves.

Fast-on connections type DIN 43650/A for coils in series 9120 and 9320; co-moulded cables for series 9121 coils.

Available voltages: 220/230 VAC - 50/60 Hz, 12 VDC, 24 VDC, 27 VDC, 48 VDC.

Connectors in series 9150, normalized DIN 43650, to wire, with IP65 protection rating. Connectors in series 9900, again normalized DIN 43650, pre-wired with various cable lengths, with IP65 protection rating.

Product details

Tipo Bobina	HF3
Tensione [V]	12 D.C.
Frequenza [Hz]	-
Potenza [W]	20
Lunghezza cavo [m]	-
Confezione n° pz	18

Notes

(1): bobina dotata di ricambio G9150/R97 (ghiera gialla + vite nera + OR)