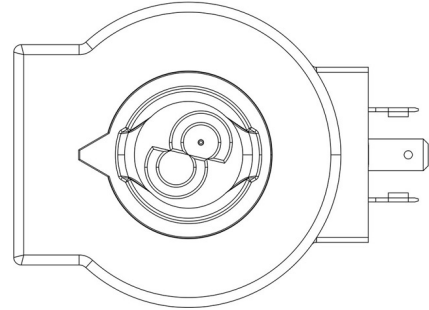
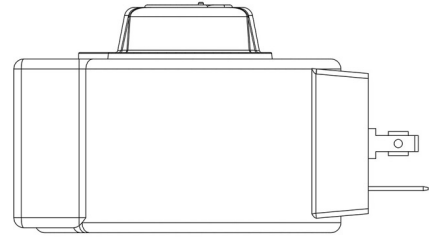


Product Code

**9320/RD1**

Coil Type HF3  
12VDC



**G GREEN**

STABILIZZAZIONE ELETTRICA

**P POLYHEDRA**

**CLASSIC**

## Product use

Coils with the new ?FAST LOCK? fixing system, series 9300 and 9320, and coils with gear fixing systems, series 9110, 9120 and 9160.

Fast-on connections type DIN 43650/A for coils in series: 9120, 9160, 9300 and 9320; co-moulded cables for series 9110 coils. Protection rating IP65; IP68 for series 9160 coils coupled with series 9155 connectors.

Available voltages; 24 VAC - 50/60 Hz, 110 VAC - 50/60 Hz, 220/230 VAC - 50/60 Hz, 240 VAC - 50/60 Hz, 380 VAC - 50/60 Hz, 12 VDC, 24 VDC, 27 VDC, 48 VDC.

Connectors in series 9150, normalized DIN 43650, to wire, with IP65 protection rating. Connectors in series 9900, again normalized DIN 43650, pre-wired with various cable lengths, with IP65 protection rating.

Connectors in series 9155, to wire, with IP65/68 protection rating.

## Product details

<b>Tipo Bobina</b>	HF3
<b>Tensione [V]</b>	12 D.C.
<b>Frequenza [Hz]</b>	-
<b>Potenza [W]</b>	20
<b>Lunghezza cavo [m]</b>	-
<b>Confezione n° pz</b>	18

## Notes

- (1) Bobina dotata di ricambio G9150/R97 (ghiera gialla + vite nera + OR)
- (2) Utilizzare esclusivamente con connettore raddrizzatore 9150/R45