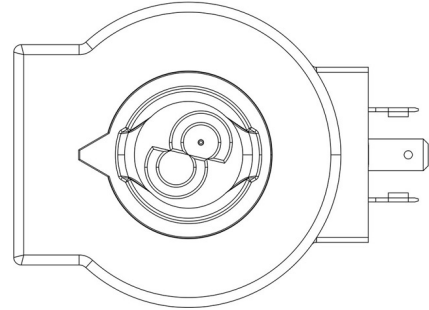
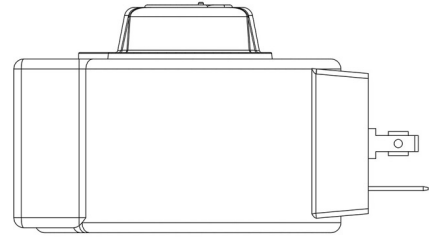


Product Code

9320/RD2

Coil Type HF3
24VDC



Product use

Coils with the new ?FAST LOCK? fixing system, series 9300 and 9320, and coils with gear fixing systems, series 9110, 9120 and 9160.

Fast-on connections type DIN 43650/A for coils in series: 9120, 9160, 9300 and 9320; co-moulded cables for series 9110 coils. Protection rating IP65; IP68 for series 9160 coils coupled with series 9155 connectors.

Available voltages; 24 VAC - 50/60 Hz, 110 VAC - 50/60 Hz, 220/230 VAC - 50/60 Hz, 240 VAC - 50/60 Hz, 380 VAC - 50/60 Hz, 12 VDC, 24 VDC, 27 VDC, 48 VDC.

Connectors in series 9150, normalized DIN 43650, to wire, with IP65 protection rating. Connectors in series 9900, again normalized DIN 43650, pre-wired with various cable lengths, with IP65 protection rating.

Connectors in series 9155, to wire, with IP65/68 protection rating.

Product details

Tipo Bobina	HF3
Tensione [V]	24 D.C.
Frequenza [Hz]	-
Potenza [W]	20
Lunghezza cavo [m]	-
Confezione n° pz	18

Notes

- (1): bobina dotata di ricambio G9150/R97 (ghiera gialla + vite nera + OR)
- (2) Utilizzare esclusivamente con connettore raddrizzatore 9150/R45