

Spare Parts
Catalogue



Spare Parts Catalogue



CASTEL

THE COMPANY AND THE PRODUCTS

Castel, a leading supplier of refrigeration and air conditioning components, is a 100% Italian-owned family-run company which has grown and established a name for itself since 1961, thanks to its outstanding pursuit of innovation and unwavering desire to conquer markets not only in Italy, but also abroad.

Mission

Supporting an increase in our customer base with reliable, durable, high quality and technologically-advanced products, manufactured with respect for the **environment**, and supported and improved upon by levels of service that exceed industry standards, in order to consolidate the Castel brand's presence in its existing markets, and make the brand known in emerging ones.

Castel is now present in more than 90 countries on 5 continents. In 2010, Castel opened an associated company in China, "Castel Refrigeration (Shanghai) Co., Ltd", to support development in these countries, creating a logistics and commercial development platform for the entire Asian continent and the Pacific. Recently, an associated company in the United States, "Castel USA, Inc.", was established to support commercial and logistic development in the Americas.

Castel was one of the first Italian companies in the sector to obtain Business Quality System Certification issued by TÜV SÜD according to EN ISO 9001:2015 standard before subsequently receiving certification also for its Environmental Management System from TÜV SÜD according to EN ISO 14001:2015 standard. The company has also obtained several product certifications in conformity with European Directives and Certification Marks (e.g. VDE) and extra-European (e.g "UL", "EAC") Quality Approvals.

Castel has dedicated constant attention for years to the evolution of the refrigerant market in adapting to international protocols aimed at reducing harmful emissions and global warming. The implementation in the European Union of the so-called F-Gas Regulation and similar legislation in important extra-European nations is leading to a progressive reduction and abandonment of many traditional refrigerants in favor of alternative synthetic or natural refrigerants.

In response to these developments in the market, in recent years Castel has progressively restructured its offer and is now proud to offer its clients this 2023 Catalog with the following lines of product:

- **GOGREEN:** Products developed specifically for refrigerant R744 within the A1 security group according to ASHRAE STANDARD 34-2019
- **POLYHEDRA:** New products compatible with the widest possible range of refrigerants classified A1, A2L and A3 according to ASHRAE STANDARD 34-2019
- **CLASSIC:** Traditional products featured in previous catalogs compatible with refrigerants classified A1 according to ASHRAE STANDARD 34-2019

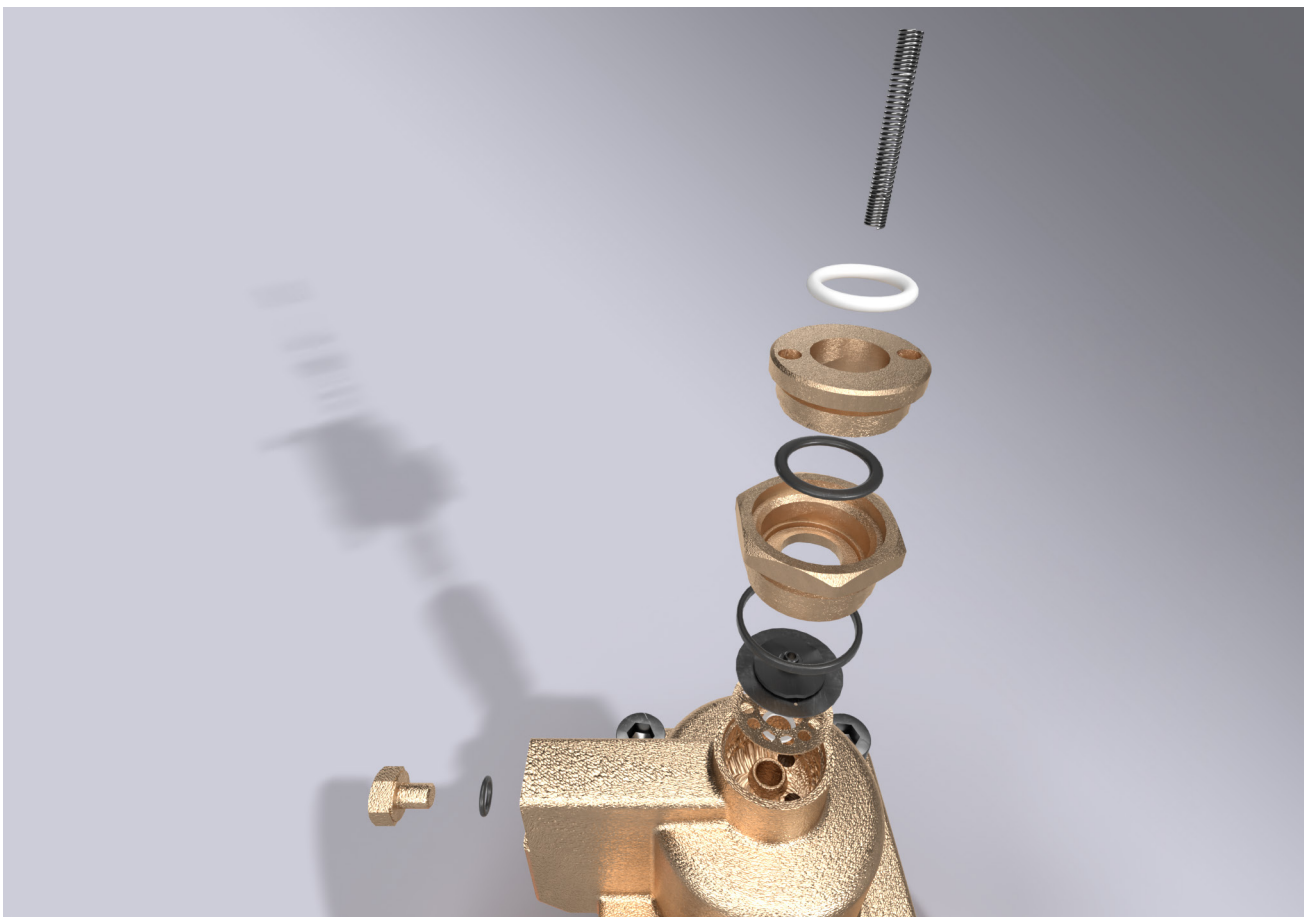


TABLE OF CONTENTS

GO GREEN

R744 • NATURAL REFRIGERANT

PRODUCTS FOR R744 REFRIGERANT

- 06 SOLENOID EXPANSION VALVES
- 07 SOLENOID VALVES
- 10 INDICATORS
- 11 FILTERS
- 13 OIL REGULATORS
- 14 VALVES

POLYHEDRA

PRODUCTS FOR REFRIGERANTS OF GROUPS A1, A2L, A3, ACCORDING TO ASHRAE STANDARD 34-2019

- 18 SOLENOID EXPANSION VALVES
- 19 SOLENOID VALVES
- 26 CHECK VALVES
- 27 INDICATORS
- 28 FILTERS
- 29 OIL REGULATORS
- 30 VALVES

CLASSIC

PRODUCTS FOR REFRIGERANTS OF GROUPS A1, ACCORDING TO ASHRAE STANDARD 34-2019

- 34 SOLENOID EXPANSION VALVES
- 35 SOLENOID VALVES
- 40 GP VALVES
- 41 CHECK VALVES
- 42 INDICATORS
- 43 FILTERS
- 44 OIL SEPARATORS
- 45 VALVES

PRODUCTS

EXPLODED DRAWINGS

- 50 FIGURES



G O O G R E E N

R744 • NATURAL REFRIGERANT

CO₂ REFRIGERANT (R744)

 **Castel**[®]
Italian technology

SOLENOID EXPANSION VALVES

Catalogue N°	Suitable for:	Spare Parts List	Pos.	Fig.	Note
SPARE PARTS					
9151E/R26	PWM valves type 2028E/..	Plunger + spring	9	01	
		Filter	11		
		Nut/body O Ring	8		
9151E/R27	PWM valves type 2028E/..	Armature	7	01	
		Plunger + spring	9		
		Filter	11		
		Nut/body O Ring	8		
		O Ring under coil	5		
9151E/R75	PWM valves type 2029E/..	Armature	7	01	
		Plunger + spring	9		
		Filter	11		
		Nut/body O Ring	8		
		O Ring under coil	5		
G9150/R97	All PWM valves	Yellow nut	1	01	
		Black screw	3		
		O Ring for nut	2		
GASKETS KITS					
9158E/R01	All PWM GOGREEN valves	O Ring under coil	5	01	
		Nut/body O Ring	8		

SOLENOID VALVES

Catalogue N°	Suitable for:	Spare Parts List	Pos.	Fig.	Note
SPARE PARTS					
9150EL/R07	All GOGREEN solenoid valves, excluding valves: 1038EL/.. 1098EL/9 1078EL/11 1078EL/13	Plunger	6	02	
		Plunger spring	5		
		Nut/body O Ring	7		
9150EL/R70	All GOGREEN solenoid valves, excluding valves 1038EL/.. 1098EL/9 1078EL/11 1078EL/13	N.C. armature	4	02	
		Nut	3		
		O Ring under coil	2		
		Plunger	6		
		Plunger spring	5		
		Nut/body O Ring	7		
9150EL/R79	Diaphragm pilot operated for solenoid valves type: 1098EL/9 1078EL/11 1078EL/13	Pre-assembled N.C. armature	3	10	
		O Ring under coil	2		
		Plunger	6		
		Plunger spring	5		
		Nut/body O Ring	4		
9150EL/R08	Diaphragm pilot operated for solenoid valves type: 1098EL/9 1078EL/11 1078EL/13	Diaphragm	7	10	
		Plunger	6		
		Plunger spring	5		
		Nut/body O Ring	4		
9150EL/R28	Piston solenoid valves type 1038EL/..	Pre-assembled N.C. armature	3	04	
		O Ring under coil	2		
		Plunger	6		
		Plunger spring	5		
		Nut/body O Ring	4		
9150EL/R81	Piston solenoid valves type 1038EL/..	Piston	7	04	
		Plunger	6		
		Plunger spring	5		
		Nut/body O Ring	4		
9150EL/R82	Piston solenoid valves type 1048EL/..	Piston	11	06	
		Piston ring	12		
		Plunger	6		
		Plunger spring	5		
		Cover/body screws	8		
		Cover/body O Ring	10		
9150EL/R50	Piston solenoid valves type 1058EL/..	Piston	11	08	
		Piston ring	12		
		Plunger	6		
		Plunger spring	5		
		Cover/body screws	8		
		Cover/body O Ring	10		

SOLENOID VALVES

Catalogue N°	Suitable for:	Spare Parts List	Pos.	Fig.	Note
SPARE PARTS					
9150EL/R43	Main piston pilot operated for solenoid valves type 1098EL/9	Piston	14	10	
		Piston ring	15		
		Piston spring	13		
		Cover/body screws	9		
		Cover/body O Ring	16		
		Pilot O Ring	17		
		Nut/cover O Ring	10		
9150EL/R39	Main piston pilot operated for solenoid valves type 1078EL/11	Piston	14	10	
		Piston ring	15		
		Piston spring	13		
		Cover/body screws	9		
		Cover/body O Ring	16		
		Pilot O Ring	17		
		Nut/cover O Ring	10		
9150EL/R83	Main piston pilot operated for solenoid valves type 1078EL/13	Piston	14	10	
		Piston ring	15		
		Piston spring	13		
		Cover/body screws	9		
		Cover/body O Ring	16		
		Pilot O Ring	17		
		Nut/cover O Ring	10		
9151E/R31	Solenoid valves type: 1417E/., 1418E/., 1427E/., 1428E/., 1437E/., 1438E/.	Plunger with spring	4	15	
		N.C. armature	3	16	
		Nut/body O Ring	5		
9151E/R78	Main piston pilot operated for solenoid valves type: 1427E/., 1428E/.	Piston	7	16	
		Piston ring	8		
		Piston spring	10		
		Cover/body O Ring	9		
9151E/R32	Main piston pilot operated for solenoid valves type: 1437E/., 1438E/.	Piston	7	16	
		Piston ring	8		
		Piston spring	10		
		Cover/body O Ring	9		
G9150/R97	Solenoid valves with coils type: HM2 , CM2 , HM3 e HM4	Yellow nut	9	02	
		Black screw	10		
		O Ring for nut	11		
G9150/R06	Solenoid valves type: 1028EL/., 1038EL/., 1048EL	Bracket	12	02	
		Screw	13		

SOLENOID VALVES

Catalogue N°	Suitable for:	Spare Parts List	Pos.	Fig.	Note
GASKETS KITS					
9158E/R02	Solenoid valves type 1028E/.., 1028EL/..	O Ring under coil	2	02	
		Nut/body O Ring	7		
9158E/R03	Solenoid valves type 1038E/.., 1038EL/..	O Ring under coil	2	04	
		Nut/body O Ring	4		
9158E/R04	Solenoid valves type 1048E/.., 1048EL/..	O Ring under coil	2	06	
		Nut/body O Ring	7		
		Cover/body O Ring	10		
9158E/R05	Solenoid valves type 1058E/.., 1058EL/..	O Ring under coil	2	08	
		Nut/body O Ring	7		
		Cover/body O Ring	10		
9158E/R06	Solenoid valves type 1098E/.., 1098EL/9S	O Ring under coil	2	10	
		Nut/body O Ring	4		
		Discharge hole O Rings	10-17		
		Cover/body O Ring	16		
9158E/R07	Solenoid valves type 1078E/.., 1078EL/11S	O Ring under coil	2	10	
		Nut/body O Ring	4		
		Discharge hole O Rings	10-17		
		Cover/body O Ring	16		
9158E/R08	Solenoid valves type 1078E/.., 1078EL/13S	O Ring under coil	2	10	
		Nut/body O Ring	4		
		Discharge hole O Rings	10-17		
		Cover/body O Ring	16		
9158E/R09	Solenoid valves type 1417E/.., 1418E/..	O Ring under coil	2	15	
		Nut/body O Ring	5		
9158E/R10	Solenoid valves type: 1427E/.. ; 1428E/..	O Ring under coil	2	16	
		Nut/body O Ring	5		
		Cover/body O Ring	9		
9158E/R11	Solenoid valves type: 1437E/.. ; 1438E/..	O Ring under coil	2	16	
		Nut/body O Ring	5		
		Cover/body O Ring	9		

INDICATORS

Catalogue N°	Suitable for:	Spare Parts List	Pos.	Fig.	Note
SPARE PARTS & KITS					
9150/R88	Moisture-liquid indicators type: 3740E/.. ; 3747E/.. ; 3748E/.. ; 3777E/11	Pre-assembled nut	1	31	
		Protection cap	2		
		Nut/body O Ring	3		
	Filter driers with indicator type: 4105E/.. ; 4108E/.. ; 4116E/..	Pre-assembled nut	1	33	
		Protection cap	2		
		Nut/body O Ring	3		
9151E/R65	Filter driers with indicator type: DI305E/.. ; DI308E/.. ; DI316E/.. ; DI330E/.. ; DI341E/..	Pre-assembled nut	1	33	
		Protection cap	2		
		Nut/body O Ring	3		
GASKETS					
110615	Moisture-liquid indicators type: 3740E/.. ; 3747E/.. ; 3748E/.. ; 3777E/11 Filter driers with indicator type: 4105E/.. ; 4108E/.. ; 4116E/..	Nut/body O Ring	3	31 33	minimum order quantity 20 pieces
111557	Filter driers with indicator type: DI305E/.. ; DI308E/.. ; DI316E/.. ; DI330E/.. ; DI341E/..	Nut/body O Ring	3	33	minimum order quantity 20 pieces

FILTERS

Catalogue N°	Suitable for:	Spare Parts List	Pos.	Fig.	Note
SPARE PARTS & KITS					
G9150E/R05	Filters with replaceable block type: 4411E/..; 4412E/..; 4431E/..; 4432E/..	Cap with gasket	1	35	
		Valve core	2		
		Access fitting	3		
7520/2	Filters with replaceable block type: 4411E/..; 4412E/..; 4431E/..; 4432E/..	Nut 1/4 NPT	1	34	
003319	Filters with replaceable block type: 4411E/..; 4412E/..; 4431E/..; 4432E/..	Spring	5	34	
			7	35	
114518	Filters with replaceable block type: 4411E/..; 4412E/..	Aluminium threaded cover 1/4 " NPT	3	34	
			5	35	
114519	Filters with replaceable block type: 4411E/..; 4412E/..	Aluminium blind cover	3	34	
			5	35	
115051	Filters with replaceable block type: 4431E/..; 4432E/..	Aluminium threaded cover 1/4 " NPT	3	34	
			5	35	
115185	Filters with replaceable block type: 4431E/..; 4432E/..	Aluminium threaded cover 1/4 " SAE	3	34	
			5	35	
115052	Filters with replaceable block type: 4431E/..; 4432E/..	Aluminium blind cover	3	34	
			5	35	
G9151/R42	Filters with replaceable block type: 4411E/..; 4412E/..	N° 8 stainless steel screws M8x35	4	34	
				35	
G9151/R69	Filters with replaceable block type: 4431E/..; 4432E/..	N° 12 stainless steel screws M8x40	4	34	
				35	
007677	Filters with replaceable block type: 4411E/..; 4431E/..	Filtering tube for one block	7	34	
007678	Filters with replaceable block type: 4412E/..; 4432E/..	Filtering tube for two blocks	8	34	
9151E/R01	Filters with replaceable block type: 4411E/..; 4412E/..	Dehydrating block top	6	34	
		Dehydrating block bottom	9		
		Cover gasket	4		
9151E/R02	To transform a filter type 4411E/_AF in a filter type 4411E/_CF	Mechanical block top	8	35	
		Mechanical block bottom	9		
		Cover gasket	6		
9151E/R68	Filters with replaceable block type: 4431E/..; 4432E/..	Dehydrating block top	6	34	
		Dehydrating block bottom	9		
		Cover gasket	4		
9151E/R67	To transform a filter type 4431E/_AF in a filter type 4431E/_CF	Mechanical block top	8	35	
		Mechanical block bottom	9		
		Cover gasket	6		
9151E/R15	Strainers type: 4727E/3; 4727E/4 4728E/M10; 4728E/M12	Pre-assembled filter	2	37	
		Nut/body O Ring	3		
9151E/R16	Strainers type: 4727E/5 4728E/M16	Pre-assembled filter	2	37	
		Nut/body O Ring	3		
9151E/R17	Strainers type: 4727E/6; 4727E/7 4728E/M18; 4728E/M22	Pre-assembled filter	2	37	
		Nut/body O Ring	3		
9151E/R18	Strainers type: 4727E/9 4728E/M28	Pre-assembled filter	2	37	
		Nut/body O Ring	3		
9151E/R19	Strainers type: 4727E/11 4728E/M35	Pre-assembled filter	2	37	
		Nut/body O Ring	3		
9151E/R24	Strainers type: 4727E/13 4728E/M42	Pre-assembled filter	2	37	
		Nut/body O Ring	3		
9151E/R25	Strainers type: 4727E/17	Pre-assembled filter	2	37	
		Nut/body O Ring	3		

FILTERS

Catalogue N°	Suitable for:	Spare Parts List	Pos.	Fig.	Note
GASKETS					
111135	Filters with replaceable block type: 4411E/..; 4412E/..	Cover gasket	4	34	minimum order quantity 20 pieces
			6	35	
114933	Filters with replaceable block type: 4431E/..; 4432E/..	Cover gasket	4	34	minimum order quantity 20 pieces
			6	35	
9158E/R28	Strainers type: 4727E/3; 4727E/4; 4727E/5 4728E/M10; 4728E/M12; 4728E/M16	Nut/body O-Ring	3	37	minimum order quantity 20 pieces
111843	Strainers type: 4727E/6; 4727E/7; 4727E/9 4728E/M18; 4728E/M22; 4728E/M28	Nut/body O-Ring	3	37	minimum order quantity 20 pieces
9158E/R27	Strainers type: 4727E/11 4728E/M35	Nut/body O-Ring	3	37	minimum order quantity 20 pieces
113737	Strainers type: 4727E/13 4728E/M42	Nut/body O-Ring	3	37	minimum order quantity 10 pieces
113738	Strainers type: 4727E/17	Nut/body O-Ring	3	37	minimum order quantity 5 pieces

OIL REGULATORS

Catalogue N°	Suitable for:	Spare Parts List	Pos.	Fig.	Note
SPARE PARTS & KITS					
5695/RA2	Oil regulators types: 5650E/11RA2, 5650E/11LA2 5658E/07RA2, 5658E/07LA2	Electronic board , 24V	7	51	
		Gasket	6		
		Screws	5		
5695/RA6	Oil regulators types: 5650E/11RA6, 5650E/11LA6 5658E/07RA6, 5658E/07LA6	Electronic board , 220V	7	51	
		Gasket	6		
		Screws	5		
9151E/R85	Oil regulators types: 5650E/11 , 5658E/07	Nut + armature	2	51	
		Plunger + Spring	3		
		Nut/body O-Ring	4		
		O-ring under coil	1		
9151/R86	Oil regulators types: 5650E/11 , 5658E/07	Pre-assembled nut	9	51	
		Protection cap	10		
		Nut/body O-Ring	8		

VALVES

Catalogue N°	Suitable for:	Spare Parts List	Pos.	Fig.	Note
SPARE PARTS & KITS					
CHANGEVER VALVES					
008281	Changeover valve 3032E/33; 3032E/44 3032E/64; 3032E/64L; 3032E/66; 3032E/66L	Cap	6	39	
			4	40	
009490	Changeover valve 3032E/88; 3032E/108	Cap	4	40	
SHUT-OFF VALVES					
111602	Ball shut-off valves 3064E/22; 3064E/33; 3064E/44	Cap	1	41	
111635	Ball shut-off valves 3064E/88	Cap	1	41	
HERMETIC VALVES					
113567	Hermetic valves type 6010E/..; 6012E/..	Cap	1	42	
RECEIVER VALVES					
113567	Receiver valves type: 6110E/22 - /33 - /X13 - /X15; 6120E/22 - /33	Cap	1	43	
009036	Receiver valves type: 6110E/44; 6120E/44	Cap	1	43	
CAPPED VALVES					
113567	6420E/..	Cap	1	46	
BALL VALVES					
111602	Ball valves type: 6570EL/2 - /3 - /4 - /5 - /6 - /M6 - /M10 - /M12 - /M18 6570E/2 - /3 - /4 - /5 - /6 - /M6 - /M10 - /M12 - /M18 6577E/2 - /3 - /4 - /5 - /6 6578E/M6 - /M10 - /M12 - /M18	Cap	1	48	
111635	Ball valves type: 6570EL/7 - /9 - /M28; 6570E/7 - /9 - /M28 6597E/7 - /9; 6598E/M22 - /M2	Cap	1	48	
9151/R81	Ball valves type: 6570EL/11 - /13 - /M42; 6570E/11 - /13 - /M42 6577E/11 - /13; 6578E/M35 - /M42	Cap with gasket	1 2	48	
9151/R11	Ball valves type: 6570EL/17; 6570E/17; 6577E/17; 6578E/M60	Cap with gasket	1 2	48	
9151/R12	6578E/M73	Cap with gasket	1 2	48	
3-WAYS BALL VALVES					
111602	3-ways ball valves type: 6690E/3 - /M10 - M12 - /4 - /5 - /M18 - /6 6697E/3 - /4 - /5 - /6 6698E/M10 - /M12 - /M16 - /M18	Cap	1	49	
111635	3-ways ball valves type: 6690E/7 - /9 - /M28; 6697E/7 - /9 6698E/M22 - /M28	Cap	1	49	
113913	3-ways ball valves type: 6690E/11 - /13 - /M42; 6697E/11 - /13 6698E/M35 - /M42	Cap	1	49	

VALVES

Catalogue N°	Suitable for:	Spare Parts List	Pos.	Fig.	Note
GASKETS					
CHANGEOVER VALVES					
9158E/R26	Changeover valve 3032E/33; 3032E/44	Connection/body O-Ring	2	39	minimum order quantity 20 pieces
9158E/R30	Changeover valve 3032E/33; 3032E/44	Elbow/body O-Ring	5	39	minimum order quantity 20 pieces
9158E/R31	Changeover valve 3032E/64; 3032E/64L; 3032E/66; 3032E/66L	Elbow/body O-Ring	3	40	minimum order quantity 20 pieces
9158E/R29	Changeover valve 3032E/88; 3032E/108	Elbow/body O-Ring	3	40	minimum order quantity 20 pieces
CAPPED VALVES					
111784	Capped valves type: 6420E/2 - /3 - /3S3 - /4	Nipple/body O-Ring	3	46	minimum order quantity 20 pieces
BALL VALVES					
113914	Ball valves type: 6570EL/11 - /13 - /M42; 6570E/11 - /13 - /M42 6577E/11 - /13; 6578E/M35 - /M42	Cap gasket	2	48	minimum order quantity 20 pieces
112675	Ball valves type: 6570EL/17; 6570E/17; 6577E/17; 6578E/M60	Cap gasket	2	48	minimum order quantity 20 pieces
112819	6578E/M73	Cap gasket	2	48	minimum order quantity 20 pieces
3-WAYS BALL VALVES					
004296	3-ways ball valves type: 6690E/7 - /9 - /M28; 6697E/7 - /9 6698E/M22 - /M28	Cap gasket	1	49	minimum order quantity 20 pieces
113914	3-ways ball valves type: 6690E/11 - /13 - /M42; 6697E/11 - /13 6698E/M35 - /M42	Cap gasket	1	49	minimum order quantity 20 pieces



(#)

For specific applications with refrigerant fluids not listed above, please contact Castel Technical Department

P  L Y H E D R A



A1 - A2L - A3 REFRIGERANTS, ASHRAE STANDARD 34-2019^(#)

HFC (R134A, R32, R404A, R407C, R410A, R507)

HFO (R1234YF, R1234ZE)

HFO + HFC (R448A, R449A, R450A, R452A, R452B, R454A,
R454B, R454C, R455A, R513A, R515A, R515B)

HC (R290, R600, R600A, R1270)

SOLENOID EXPANSION VALVES

Catalogue N°	Suitable for:	Spare Parts List	Pos.	Fig.	Note
SPARE PARTS & KITS					
9151N/R26	PWM valves type: 2028N/..; 2028EX/..	Plunger + spring	9	01	
		Filter	11		
		Nut/body O Ring	8		
9151N/R27	PWM valves type: 2028N/..; 2028EX/..	Armature	7	01	
		Plunger + spring	9		
		Filter	11		
		Nut/body O Ring	8		
		O Ring under coil	5		
9151N/R75	PWM valves type 2029N/..	Armature	7	01	
		Plunger + spring	9		
		Filter	11		
		Nut/body O Ring	8		
		O Ring under coil	5		
G9150/R97	PWM valves type: 2028N/..; 2029N/..	Yellow nut	1	01	
		Black screw	3		
		O Ring for nut	2		
G9151/R14	PWM valves type : 2028EX/..	Blue nut	1	01	
		Black screw	3		
		O Ring for nut	2		
GASKETS KITS					
9158N/R01	PWM valves 2028N ; 2028EX ; 2029N	O Ring under coil	5	01	
		Nut/body O Ring	8		
9158N/R21	PWM valves 2028R	O Ring under coil	5	01	
		Nut/body O Ring	8		

SOLENOID VALVES

Catalogue N°	Suitable for:	Spare Parts List	Pos.	Fig.	Note
SPARE PARTS & KITS					
9150N/R07	All N.C. POLYHEDRA solenoid valves, excluding valves: 1064N/..; 1068N/.. 1064EX/..; 1068EX/.. 1098N/9; 1099N/11 1078NW/11; 1079NW/13 - NW/M42 1078NW/13 - NW/M42; 1079NW/17 1098EX/9; 1099EX/11	Plunger	6	02	
		Plunger spring	5		
		Nut/body O Ring	7		
9150N/R70	All N.C. POLYHEDRA solenoid valves, excluding valves: 1064N/..; 1068N/.. 1064EX/..; 1068EX/.. 1098N/9; 1099N/11 1078NW/11; 1079NW/13 - NW/M42 1078NW/13 - NW/M42; 1079NW/17 1098EX/9; 1099EX/11	N.C. armature	4	02	
		Nut	3		
		O Ring under coil	2		
		Plunger	6		
		Plunger spring	5		
		Nut/body O Ring	7		
9150N/R71	N.C. diaphragm solenoid valves type: 1064N/..; 1068N/.. 1064EX/..; 1068EX/..	Pre-assembled N.C. armature	3	03 10	
		O Ring under coil	2		
		Plunger	6		
		Plunger spring	5		
		Nut/body O Ring	4		
9151N/R80	Diaphragm pilot operated for N.C. solenoid valves type: 1098N/9; 1099N/11 1078NW/11; 1079NW/13 - NW/M42 1078NW/13 - NW/M42; 1079NW/17 1098EX/9; 1099EX/11	Pre-assembled N.C. armature	3	10	
		O Ring under coil	2		
		Plunger	6		
		Plunger spring	5		
		Nut/body O Ring	4		
9150N/R08	N.C. diaphragm solenoid valves type: 1064N/..; 1068N/.. 1064EX/..; 1068EX/.. Diaphragm pilot operated for N.C. solenoid valves type: 1098N/9; 1099N/11 1078NW/11; 1079NW/13 - NW/M42 1078NW/13 - NW/M42; 1079NW/17 1098EX/9; 1099EX/11	Diaphragm	7	03 10	
		Plunger	6		
		Plunger spring	5		
		Nut/body O Ring	4		
9151N/R28	N.C. piston solenoid valves type: 1034N/..; 1038N/..	Pre-assembled N.C. armature	3	04	
		O Ring under coil	2		
		Plunger	6		
		Plunger spring	5		
		Nut/body O Ring	4		
9150N/R81	N.C. piston solenoid valves type: 1034N/..; 1038N/..	Piston	7	04	
		Plunger	6		
		Plunger spring	5		
		Nut/body O Ring	4		
9150N/R09	N.C. diaphragm solenoid valves type: 1070N/4 - N/5; 1078N/4 - N/5 - N/M12; 1079N/7	Diaphragm	11	05	
		Plunger	6		
		Plunger spring	5		
		Cover/body screws	8		
		Cover/body O Ring	10		

SOLENOID VALVES

Catalogue N°	Suitable for:	Spare Parts List	Pos.	Fig.	Note
SPARE PARTS & KITS					
9150N/R82	N.C. piston solenoid valves type: 1040N/4 - N/5 ; 1048N/4 - N/5 - N/M12 ; 1049N/7	Piston	11	06	
		Piston ring	12		
		Plunger	6		
		Plunger spring	5		
		Cover/body screws	8		
		Cover/body O Ring	10		
9151N/R04	N.C. diaphragm solenoid valves type: 1090N/5 - N/6 ; 1098N/5 - N/6 - N/7 ; 1099N/9	Diaphragm	11	07	
		Plunger	6		
		Plunger spring	5		
		Cover/body screws	8		
		Cover/body O Ring	10		
9150N/R50	N.C. piston solenoid valves type: 1050N/5 - N/6 ; 1058N/5 - N/6 - N/7 ; 1059N/9	Piston	11	08	
		Piston ring	12		
		Plunger	6		
		Plunger spring	5		
		Cover/body screws	8		
		Cover/body O Ring	10		
9150N/R11	N.C. diaphragm solenoid valves type: 1078N/9 ; 1079N/11	Diaphragm	12	09	
		Plunger	6		
		Plunger spring	5		
		Cover/body screws	8		
		Cover/body O Ring	10		
		Pilot O Ring	15		
		Nut/cover O Ring	16		
9150N/R43	Main piston pilot operated for N.C. solenoid valves type: 1098N/9 ; 1099N/11	Piston	14	10	
		Piston ring	15		
		Piston spring	13		
		Cover/body screws	9		
		Cover/body O Ring	16		
		Pilot O Ring	17		
		Nut/cover O Ring	10		
9150N/R39	Main piston pilot operated for N.C. solenoid valves type: 1078NW/11 ; 1079NW/13 - NW/M42	Piston	14	10	
		Piston ring	15		
		Piston spring	13		
		Cover/body screws	9		
		Cover/body O Ring	16		
		Pilot O Ring	17		
		Nut/cover O Ring	10		

SOLENOID VALVES

Catalogue N°	Suitable for:	Spare Parts List	Pos.	Fig.	Note
SPARE PARTS & KITS					
9150N/R83	Main piston pilot operated for N.C. solenoid valves type: 1078NW/13 - NW/M42 ; 1079NW/17	Piston	14	10	
		Piston ring	15		
		Piston spring	13		
		Cover/body screws	9		
		Cover/body O Ring	16		
		Pilot O Ring	17		
		Nut/cover O Ring	10		
9151N/R29	N.C. solenoid valves type : 1328N/.. , 1348N/.. , 1358N/..	Plunger with spring	5	11	
		N.C. armature	3		
		Nut/body O Ring	4		
9151N/R30	N.C. solenoid valves type: 1338N/..	Plunger with spring	5	12	
		N.C. armature	3		
		Nut/body O Ring	4		
		Piston	6		
9151N/R76	N.C. solenoid valves type 1348N/..	Cover/body screws	?	13	
		Cover/body O Ring	?		
		Piston	?		
9151N/R77	N.C. solenoid valves type 1358N/..	Cover/body screws	?	14	
		Cover/body O Ring	?		
		Piston	?		
9150N/R35	N.O. diaphragm solenoid valves type: 1164N/.. ; 1168N/.. Diaphragm pilot operated for N.O. solenoid valves type: 1198N/9 1178NW/11 1178NW/13 - NW/M42	Pre-assembled armature with nuts	8	17	
		Diaphragm	10		
		O Ring under coil	7		
		Nut/body O Ring	9		
9150N/R84	N.O. piston solenoid valves type: 1134N/.. ; 1138N/..	Pre-assembled armature with nuts	8	18	
		Piston	10		
		O Ring under coil	7		
		Nut/body O Ring	9		
9150N/R34	N.O. diaphragm solenoid valves type: 1170N/4- N/5 ; 1178N/4 - N/5 - N/M12	N.O. armature group	9	19	
		Nut	8		
		O Ring under coil	7		
		Nut/cover O Ring	10		
		Diaphragm	14		
		Cover/body screws	11		
		Cover/body O Ring	13		
9150N/R85	N.O. piston solenoid valves type: 1140N/4- N/5 ; 1148N/4 - N/5 - N/M12	N.O. armature group	9	20	
		Nut	8		
		O Ring under coil	7		
		Nut/cover O Ring	10		
		Piston	14		
		Piston ring	15		
		Cover/body screws	11		
Cover/body O Ring	13				

SOLENOID VALVES

Catalogue N°	Suitable for:	Spare Parts List	Pos.	Fig.	Note
SPARE PARTS & KITS					
9151N/R05	N.O. diaphragm solenoid valves type: 1190N/5 - N/6 ; 1198N/5 - N/6 - N/7	N.O. armature group	9	21	
		Nut	8		
		O Ring under coil	7		
		Nut/cover O Ring	10		
		Diaphragm	14		
		Cover/body screws	11		
9150N/R51	N.O. piston solenoid valves type: 1150N/5 - N/6 ; 1158N/5 - N/6 - N/7	N.O. armature group	9	22	
		Nut	8		
		O Ring under coil	7		
		Nut/cover O Ring	10		
		Piston	14		
		Piston ring	15		
		Cover/body screws	11		
		Cover/body O Ring	13		
9150N/R42	N.O. diaphragm solenoid valves type: 1178N/9	N.O. armature group	9	23	
		Diaphragm	17		
		Cover/body screws	11		
		Nut	8		
		Pilot O Ring	19		
		Nut/cover O Ring	10		
		O Ring under coil	7		
		Cover/body O Ring	15		
9150N/R43	Main piston pilot operated for N.O. solenoid valves type 1198N/9	Piston	17	24	
		Piston ring	18		
		Piston spring	16		
		Cover/body screws	12		
		Cover/body O Ring	19		
		Pilot O Ring	20		
		Nut/cover O Ring	15		
9150N/R39	Main piston pilot operated for N.O. solenoid valves type 1178NW/11	Piston	17	24	
		Piston ring	18		
		Piston spring	16		
		Cover/body screws	12		
		Cover/body O Ring	19		
		Pilot O Ring	20		
		Nut/cover O Ring	15		

SOLENOID VALVES

Catalogue N°	Suitable for:	Spare Parts List	Pos.	Fig.	Note
SPARE PARTS & KITS					
9150N/R83	Main piston pilot operated for N.O. solenoid valves type 1178NW/13 - NW/M42	Piston	17	24	
		Piston ring	18		
		Piston spring	16		
		Cover/body screws	12		
		Cover/body O Ring	19		
		Pilot O Ring	20		
		Nut/cover O Ring	15		
G9150/R97	N.C. solenoid valves with coils type HM2 , CM2 , HM3 e HM4	Yellow nut	9	02	
		Black screw	10		
		O Ring for nut	11		
G9151/R14	N.C. solenoid valves with ATEX coils type HM2 , CM2	Blue nut	9a	02	
		Black screw	10a		
		O Ring for nut	11a		
G9151/R47	N.O. solenoid valves	Yellow nut	1	17	
		O Ring for nut	2		
		Black screw	3		
		Red ring	4		
		O Ring for ring	5		
G9150/R06	N.C.solenoid valves type: 1020N/.. ; 1028N/.. ; 1064N/.. ; 1068N/.. ; 1070N/4 - /5 ; 1078N/4 - /5 - /M12 ; 1079N/7 ; 1034N/.. ; 1038N/.. ; 104N0/4 - /5 ; 1048N/4 - /5 - /M12 ; 1049N/7 N.O. solenoid valves type: 1164N/.. ; 1168N/.. ; 1170N/4 - /5 ; 1178N/4 - /5 - / M12 ; 1134N/.. ; 1138N/.. ; 1140N/4 - /5 ; 1148N/4 - /5 - /M12 ;	Bracket	12	02	
		Screw	13		

SOLENOID VALVES

Catalogue N°	Suitable for:	Spare Parts List	Pos.	Fig.	Note
GASKETS KITS					
9158N/R02	N.C. solenoid valves type: 1020N/.. ; 1028N/..	O Ring under coil	2	02	
		Nut/body O Ring	7		
9158N/R03	N.C. solenoid valves type: 1020EX/..	O Ring under coil	2	02	
		Nut/body O Ring	7		
9158N/R04	N.C. solenoid valves type: 1328N/..	O Ring under coil	2	11	
		Nut/body O Ring	4		
9158N/R05	N.C. diaphragm solenoid valves type: 1064N/.. ; 1068N/.. N.C. piston solenoid valves type: 1034N/.. ; 1038N/.. ; 1338N/..	O Ring under coil	2	03 04 12	
		Nut/body O Ring	4		
9158N/R06	N.C. diaphragm solenoid valves type: 1068EX/.. N.O. diaphragm solenoid valves type: 1164N/.. ; 1168N/.. N.O. piston solenoid valves type: 1134N/.. ; 1138N/..	O Ring under coil	2	03	
		Nut/body O Ring	4		
9158N/R07	N.C. diaphragm solenoid valves type: 1070N/4 - /5 ; 1078N/4 - /5 - /M12 ; 1079N/7 N.C. piston solenoid valves type: 1040N/.. ; 1048N/.. ; 1049N/..	O Ring under coil	2	05 06	
		Nut/body O Ring	7		
		Cover/body O Ring	10		
9158N/R08	N.C. piston solenoid valves type: 1348N/..	O Ring under coil	2	13	
		Nut/body O Ring	7		
		Cover/body O Ring	10		
9158N/R09	N.C. diaphragm solenoid valves type: 1078EX/4 - /5 - /M12 ; 1079EX/7 N.O. diaphragm solenoid valves type: 1170/4 - /5 ; 1178N/4 - /5 - /M12 N.O. piston solenoid valves type: 1140N/.. ; 1148N/..	O Ring under coil	2	05 06	
		Nut/body O Ring	7		
		Cover/body O Ring	10		
9158N/R10	N.C. diaphragm solenoid valves type: 1090N/5 - /6 ; 1098N/5 - /6 - /7 1099N/9 N.C. piston solenoid valves type: 1050N/.. ; 1058N/.. ; 1059N/..	O Ring under coil	2	07 08	
		Nut/body O Ring	7		
		Cover/body O Ring	10		
9158N/R11	N.C. piston solenoid valves type: 1358N/..	O Ring under coil	2	14	
		Nut/body O Ring	7		
		Cover/body O Ring	10		
9158N/R12	N.C. diaphragm solenoid valves type: 1098EX/7 ; 1099EX/9 N.O. diaphragm solenoid valves type: 1190N/5 - /6 ; 1198N/5 - /6 - /7 N.O. piston solenoid valves type: 1150N/.. ; 1158N/..	O Ring under coil	2	07 08	
		Nut/body O Ring	7		
		Cover/body O Ring	10		
9158N/R13	N.C. diaphragm solenoid valves type: 1078N/9 ; 1079N/11	O Ring under coil	2	09	
		Nut/body O Ring	7		
		Cover/body O Ring	10		
		Pilot O Ring	15		

SOLENOID VALVES

Catalogue N°	Suitable for:	Spare Parts List	Pos.	Fig.	Note
GASKETS KITS					
9158N/R14	N.C. diaphragm solenoid valves type: 1078EX/9 ; 1079EX/11	O Ring under coil	2	09	
		Nut/cover O Ring	7		
		Cover/body O Ring	10		
		Pilot O Ring	15		
	N.O.diaphragm solenoid valves type 1178N/9	O Ring under coil	7	23	
		Nut/cover O Ring	10		
		Cover/body O Ring	16		
		Pilot O Ring	13/19		
9158N/R15	N.C. piston solenoid valves type: 1098N/9 ; 1099N/11	O Ring under coil	2	10	
		Nut/cover O Ring	4		
		Cover/body O Ring	17		
		Pilot O Ring	12/18		
9158N/R16	N.C. piston solenoid valves type: 1098EX/9 ; 1099EX/11	O Ring under coil	2	10	
		Nut/cover O Ring	4		
		Cover/body O Ring	17		
		Pilot O Ring	12/18		
	N.O.piston solenoid valves type 1198N/9	O Ring under coil	7	24	
		Nut/cover O Ring	9		
		Cover/body O Ring	19		
		Pilot O Ring	15/20		
9158N/R17	N.C. piston solenoid valves type: 1078NW/11 ; 1079NW/13-M42	O Ring under coil	2	10	
		Nut/cover O Ring	4		
		Cover/body O Ring	17		
		Pilot O Ring	12/18		
9158N/R18	N.O.piston solenoid valves type 1178NW/11	O Ring under coil	7	24	
		Nut/cover O Ring	9		
		Cover/body O Ring	19		
		Pilot O Ring	15/20		
9158N/R19	N.C. piston solenoid valves type: 1078NW/13-M42 ; 1079NW/17	O Ring under coil	2	10	
		Nut/cover O Ring	4		
		Cover/body O Ring	17		
		Pilot O Ring	12/18		
9158N/R20	N.O.piston solenoid valves type 1178NW/13-M42	O Ring under coil	7	24	
		Nut/cover O Ring	9		
		Cover/body O Ring	19		
		Pilot O Ring	15/20		

CHECK VALVES

Catalogue N°	Suitable for:	Spare Parts List	Pos.	Fig.	Note
SPARE PARTS & KITS					
9151/R33	Check valves type: 3124N/7 - /9 - /M22 - /M28	Cover/body O Ring	2	30	
		Spring	3		
		Piston	4		
9151/R34	Check valves type: 3125N/7 - /9 - /M22 - /M28	Cover/body O Ring	2	30	
		Spring	3		
		Piston	4		
9151/R35	Check valves type 3124N/11	Cover/body O Ring	2	30	
		Spring	3		
		Piston	4		
9151/R36	Check valves type 3125N/11	Cover/body O Ring	2	30	
		Spring	3		
		Piston	4		
9151/R37	Check valves type 3124N/13 - /M42	Cover/body O Ring	2	30	
		Spring	3		
		Piston	4		
9151/R38	Check valves type 3125N/13 - /M42	Cover/body O Ring	2	30	
		Spring	3		
		Piston	4		
9151/R39	Check valves type 3124N/17	Cover/body O Ring	2	30	
		Spring	3		
		Piston	4		
9151/R40	Check valves type 3125N/17	Cover/body O Ring	2	30	
		Spring	3		
		Piston	4		
GASKETS					
113703	Check valves type: 3124N/7 - /9 - /M22 - /M28 3125N/7 - /9 - /M22 - /M28	Cover/body O Ring	2	30	minimum order quantity 20 pieces
113704	Check valves type: 3124N/11 - 3125N/11	Cover/body O Ring	2	30	minimum order quantity 10 pieces
113735	Check valves type: 3124N/13 - /M42 3125N/13 - /M42	Cover/body O Ring	2	30	minimum order quantity 10 pieces
113736	Check valves type: 3124N/17 - 3125N/17	Cover/body O Ring	2	30	minimum order quantity 5 pieces

INDICATORS

Catalogue N°	Suitable for:	Spare Parts List	Pos.	Fig.	Note
SPARE PARTS & KITS					
9150/R94	Liquid indicators type 3680/..	Protection cap	1	32	
		Nut	2		
		Nut/body O Ring	3		
		Ball	4		
		Net	5		
9151/R41	Moisture-liquid indicators type 3780N/..	Pre-assembled nut	1	31	
		Protection cap	2		
		Nut/body O Ring	3		
	Filter driers with indicator type: 4105N/.. ; 4108N/.. ; 4116N/.. ; 4132N/..	Pre-assembled nut	1	33	
		Protection cap	2		
		Nut/body O Ring	3		
9151N/R65	Filter driers with indicator type: DI305N/.. ; DI308N/.. ; DI316N/.. ; DI330N/.. ; DI341N/..	Pre-assembled nut	1	33	
		Protection cap	2		
		Nut/body O Ring	3		
GASKETS					
113701	Liquid indicators type: 3680/.. Moisture-liquid indicators type: 3780N/.. Filter driers with indicator type: 4105N/.. ; 4108N/.. ; 4116N/.. ; 4132N/..	Nut/body O Ring	3	31 32 33	minimum order quantity 20 pieces
113802	Filter driers with indicator type: DI305N/.. ; DI308N/.. ; DI316N/.. ; DI330N/.. ; DI341N/..	Nut/body O Ring	3	33	minimum order quantity 20 pieces

FILTERS

Catalogue N°	Suitable for:	Spare Parts List	Pos.	Fig.	Note
SPARE PARTS & KITS					
9150N/R05	Filters with replaceable block type: 4411/.F ; 4412/.F	Cap with gasket	1	35	
		Valve core	2		
		Access fitting	3		
7520/2	Filters with replaceable block type: 4411/.F ; 4412/.F	Nut 1/4 NPT	1	34	
003319	Filters with replaceable block type: 4411/.F ; 4412/.F	Spring	5	34	
			7	35	
114515	Filters with replaceable block type: 4411/.F ; 4412/.F	Aluminium threaded cover 1/4 " NPT	3	34	
			5	35	
114517	Filters with replaceable block type: 4411/.F ; 4412/.F	Aluminium blind cover	3	34	
G9150/R59	Filters with replaceable block type: 4411/.F ; 4412/.F	N° 8 screws M8x30 - 8.8	2	34	
G9150/R60	Filters with replaceable block type: 4411/.CF	N° 8 stainless steel screws M8x30	4	35	
007677	Filters with replaceable block type: 4411/.F	Filtering tube for one block	8	34	
007678	Filters with replaceable block type: 4412/.F	Filtering tube for two blocks	7	34	
9151/R01	Filters with replaceable block type: 4411/.F ; 4412/.F	Dehydrating block top	6	34	
		Dehydrating block bottom	9		
		Cover gasket	4		
9151/R02	Filters with replaceable block type: 4411/.CF	Mechanical block top	8	35	
		Mechanical block bottom	9		
		Cover gasket	6		
9151N/R15	Strainers type: 4720N/3 ; 4720N/4 4720N/M10 ; 4720N/M12	Pre-assembled filter	2	37	
		Nut/body O Ring	3		
9151N/R16	Strainers type: 4720N/5	Pre-assembled filter	2	37	
		Nut/body O Ring	3		
9151N/R17	Strainers type: 4720N/6 ; 4720N/7 4720N/M18	Pre-assembled filter	2	37	
		Nut/body O Ring	3		
9151N/R18	Strainers type: 4720N/9 4728E/M28	Pre-assembled filter	2	37	
		Nut/body O Ring	3		
9151N/R19	Strainers type: 4720N/11	Pre-assembled filter	2	37	
		Nut/body O Ring	3		
9151N/R24	Strainers type: 4720N/13 4720N/M42	Pre-assembled filter	2	37	
		Nut/body O Ring	3		
9151N/R25	Strainers type: 4720N/17	Pre-assembled filter	2	37	
		Nut/body O Ring	3		
GASKETS					
110968	Filters with replaceable block type: 4411/.F ; 4412/.F	Cover gasket	4	34	minimum order quantity 20 pieces
			6	35	
114629	Strainers type: 4720N/3 ; 4720N/4 , 4720N/5 4720N/M10 ; 4720N/M12	Nut/body O-Ring	3	37	minimum order quantity 20 pieces
113703	Strainers type: 4720N/6 ; 4720N/7 , 4720N/9 4720N/M18 , 4720N/M28	Nut/body O-Ring	3	37	minimum order quantity 20 pieces
113704	Strainers type: 4720N/11	Nut/body O-Ring	3	37	minimum order quantity 10 pieces
113735	Strainers type: 4720N/13 4720N/M42	Nut/body O-Ring	3	37	minimum order quantity 10 pieces
113736	Strainers type: 4720N/17	Nut/body O-Ring	3	37	minimum order quantity 5 pieces

OIL REGULATORS

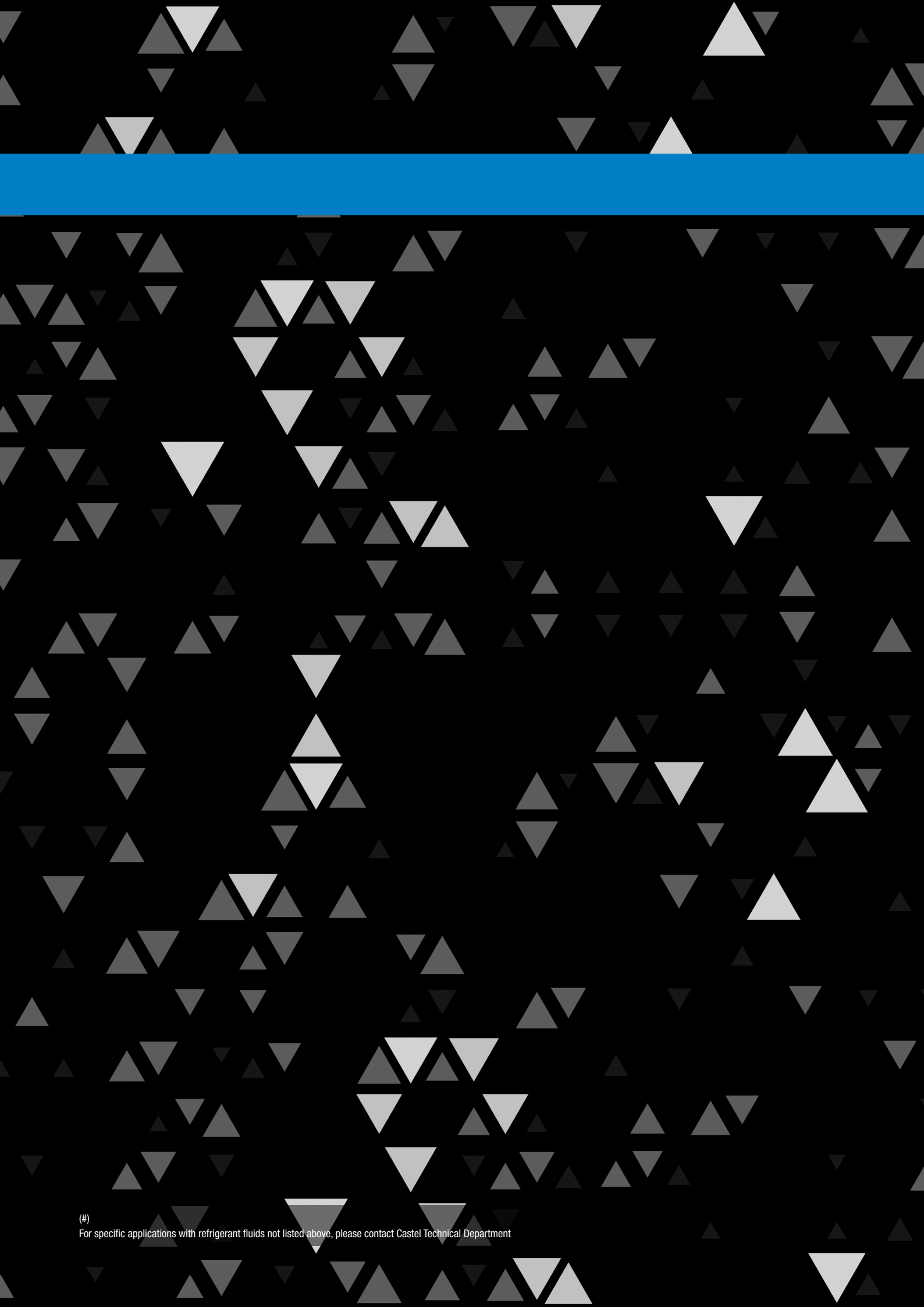
Catalogue N°	Suitable for:	Spare Parts List	Pos.	Fig.	Note
SPARE PARTS & KITS					
5695/RA2	Oil regulators types: 5650/RA2	Electronic board , 24V	9	50	
		Gasket	8		
		Screws	7		
5695/RA6	Oil regulators types: 5650/RA6	Electronic board , 220V	9	50	
		Gasket	8		
		Screws	7		
9151/R85	Oil regulators types: 5650/..	Nut	2	50	
		Armature	3		
		Plunger	5		
		Spring	4		
		Nut/body O-Ring	6		
		O-ring under coil	1		
9151/R86	Oil regulators types: 5650/..	Pre-assembled nut	11	50	
		Protection cap	12		
		Nut/body O-Ring	10		

VALVES

Catalogue N°	Suitable for:	Spare Parts List	Pos.	Fig.	Note
SPARE PARTS & KITS					
CHANGEOVER VALVES					
008281	Changeover valve 3032N/32 ; 3032N/33 3032N/44 ; 3032N/64 ; 3032N/66	Cap	6	39	
			4	39	
009490	Changeover valve 3032N/88 ; 3032N/108	Cap	4	40	
SHUT-OFF VALVES					
111602	Ball shut-off valves 3064N/22 ; 3064N/33 3064/44	Cap	1	41	
111635	Ball shut-off valves 3064N/88	Cap	1	41	
HERMETIC VALVES					
113567	Hermetic valves type 6010N/.. ; 6012N/..	Cap	1	42	
RECEIVER VALVES					
113567	Receiver valves type: 6110N/21 - /22 - /23 - /32 - /33 /X13 - /X15 6120N/22 - /23 - /32 - /33	Cap	1	43	
009036	Receiver valves type: 6110N/43 - /44 6120N/43 - /44	Cap	1	43	
CAPPED VALVES					
113567	6420N/..	Cap	1	46	
BALL VALVES					
111602	Ball valves type: 6570N/2 - /3 - /4 - /5 - /6 - /M6 - /M10 - /M12 - / M15 - /M18 6570N/2A - /3A - /4A - /5A - /6A - /M6A - /M10A - / M12A - /M15A - /M18A	Cap	1	48	
111635	Ball valves type: 6570N/7 - /9 - /M28 6570N/7A - /9A - /M28A	Cap	1	48	
9151/R81	Ball valves type: 6570N/11 - /13 - /M42 6570N/11A - /13A - /M42A	Cap with gasket	1 2	48	
9151/R11	Ball valves type: 6570N/17 - /17A 6570N/M64A - /21A	Cap with gasket	1 2	48	
9151/R12	Ball valves type: 6570N/24A - /25A - /28A - /29A	Cap with gasket	1 2	48	
3-WAYS BALL VALVES					
111602	3-ways ball valves type: 6690N/3 - /M10 - /M12 - /4 - /5 - /M18 - /6	Cap	1	49	
111635	3-ways ball valves type: 6690N/7 - /9 - /M28	Cap	1	49	
113913	3-ways ball valves type: 6690N/11 - /13 - /M42	Cap	1	49	

VALVES

Catalogue N°	Suitable for:	Spare Parts List	Pos.	Fig.	Note
GASKETS					
CHANGEOVER VALVES					
9158N/R26	Changeover valve 3032N/32 ; 3032N/33 3032N/44	Connection/body O-Ring	2	39	minimum order quantity 20 pieces
9158N/R30	Changeover valve 3032N/32 ; 3032N/33 3032N/44	Elbow/body O-Ring	5	39	minimum order quantity 20 pieces
9158N/R31	Changeover valve 3032N/64 ; 3032N/66	Elbow/body O-Ring	3	40	minimum order quantity 20 pieces
9158N/R29	Changeover valve 3032N/88 ; 3032N/108	Elbow/body O-Ring	3	40	minimum order quantity 20 pieces
CAPPED VALVES					
113932	Capped valves type: 6420N/2 - /3 - /3S3 - /4	Nipple/body O-Ring	3	46	minimum order quantity 20 pieces
BALL VALVES					
113914	Ball valves type: 6570N/11 - /13 - /M42 6570N/11A - /13A - /M42A	Cap gasket	2	48	minimum order quantity 20 pieces
112675	Ball valves type: 6570N/17 - /17A 6570N/M64A - /21A	Cap gasket	2	48	minimum order quantity 20 pieces
112819	Ball valves type: 6570N/24A - /25A - /28A - /29A	Cap gasket	2	48	minimum order quantity 20 pieces
3-WAYS BALL VALVES					
004296	3-ways ball valves type: 6690N/7 - /9 - /M28	Cap gasket	1	49	minimum order quantity 20 pieces
113914	3-ways ball valves type: 6690N/11 - /13 - /M42	Cap gasket	1	49	minimum order quantity 20 pieces



(#)
For specific applications with refrigerant fluids not listed above, please contact Castel Technical Department

CLASSIC

A1 REFRIGERANTS, ASHRAE STANDARD 34-2019^(#)

HCFC (R22)

HFC (R134a, R404A, R407C, R410A, R507)

HFO (R1234ze)

HFO + HFC (R448A, R449A, R450A, R452A, R513A,
R515A, R515B)

 **Castel**[®]
Italian technology

SOLENOID EXPANSION VALVES

Catalogue N°	Suitable for:	Spare Parts List	Pos.	Fig.	Note
SPARE PARTS & KITS					
9151/R26	PWM valves type 2028/..	Plunger + spring	9	01	
		Filter	11		
		Nut/body O Ring	8		
9151/R27	PWM valves type 2028/..	Armature	7	01	
		Plunger + spring	9		
		Filter	11		
		Nut/body O Ring	8		
		O Ring under coil	5		
9151/R75	PWM valves type 2029/..	Armature	7	01	
		Plunger + spring	9		
		Filter	11		
		Nut/body O Ring	8		
		O Ring under coil	5		
G9150/R97	All PWM valves	Yellow nut	1	01	
		Black screw	3		
		O Ring for nut	2		
GASKETS KITS					
9158/R01	PWM valves 2028 ; 2029	O Ring under coil	5	01	
		Nut/body O Ring	8		

SOLENOID VALVES

Catalogue N°	Suitable for:	Spare Parts List	Pos.	Fig.	Note
SPARE PARTS & KITS					
9150/R07	All N.C. CLASSIC valves, excluding valves: 1064/..; 1068/.. 109N/9; 1099/11 1078/11; 1079/13 - /M42 1078/13 - /M42; 1079/17	Plunger	6	02	
		Plunger spring	5		
		Nut/body O Ring	7		
9150/R70	All N.C. CLASSIC valves, excluding valves: 1064/..; 1068/.. 109N/9; 1099/11 1078/11; 1079/13 - /M42 1078/13 - /M42; 1079/17	NN.C. armature	4	02	
		Nut	3		
		O Ring under coil	2		
		Plunger	6		
		Plunger spring	5		
		Nut/body O Ring	7		
9150/R71	N.C. diaphragm solenoid valves type: 1064/..; 1068/.. Diaphragm pilot operated for: 1098/9; 1099/11 1078/11; 1079/13 - /M42 1078/13 - /M42; 1079/17	Pre-assembled NN.C. armature	3	03 10	
		O Ring under coil	2		
		Plunger	6		
		Plunger spring	5		
		Nut/body O Ring	4		
9150/R08	N.C. diaphragm solenoid valves type: 1064/..; 1068/.. Diaphragm pilot operated for: 1098/9; 1099/11 1078/11; 1079/13 - /M42 1078/13 - /M42; 1079/17	Diaphragm	7	03 10	
		Plunger	6		
		Plunger spring	5		
		Nut/body O Ring	4		
9151/R28	N.C. piston solenoid valves type: 1034/..; 1038/..	Pre-assembled NN.C. armature	3	04	
		O Ring under coil	2		
		Plunger	6		
		Plunger spring	5		
		Nut/body O Ring	4		
9150/R81	N.C. piston solenoid valves type: 1034/..; 1038/..	Piston	7	04	
		Plunger	6		
		Plunger spring	5		
		Nut/body O Ring	4		
9150/R09	N.C. diaphragm solenoid valves type: 1070/4 - /5; 1078/4 - /5 - /M12; 1079/7	Diaphragm	11	05	
		Plunger	6		
		Plunger spring	5		
		Cover/body screws	8		
		Cover/body O Ring	10		
9150/R82	N.C. piston solenoid valves type: 1040/4 - /5; 1048/4 - /5 - /M12; 1049/7	Piston	11	06	
		Piston ring	12		
		Plunger	6		
		Plunger spring	5		
		Cover/body screws	8		
		Cover/body O Ring	10		

SOLENOID VALVES

Catalogue N°	Suitable for:	Spare Parts List	Pos.	Fig.	Note
SPARE PARTS & KITS					
9151/R04	N.C. diaphragm solenoid valves type: 1090/5 - /6 ; 1098/5 - /6 - /7 ; 1099/9 (It replaces spare parts 9150/R38 e 9150/R48)	Diaphragm	11	07	
		Plunger	6		
		Plunger spring	5		
		Cover/body screws	8		
		Cover/body O Ring	10		
9150/R50	N.C. piston solenoid valves type: 1050/5 - /6 ; 1058/5 - /6 - /7 ; 1059/9	Piston	11	08	
		Piston ring	12		
		Plunger	6		
		Plunger spring	5		
		Cover/body screws	8		
Cover/body O Ring	10				
9150/R11	N.C. diaphragm solenoid valves type: 1078/9 ; 1079/11	Diaphragm	12	09	
		Plunger	6		
		Plunger spring	5		
		Cover/body screws	8		
		Cover/body O Ring	10		
		Pilot O Ring	15		
9150/R43	Main piston pilot operated for N.C. solenoid valves type: 1098/9 ; 1099/11	Nut/cover O Ring	16	10	
		Piston	14		
		Piston ring	15		
		Piston spring	13		
		Cover/body screws	9		
		Cover/body O Ring	16		
		Pilot O Ring	17		
9150/R39	Main piston pilot operated for N.C. solenoid valves type: 1078/11 ; 1079/13 - /M42	Nut/cover O Ring	10	10	
		Piston	14		
		Piston ring	15		
		Piston spring	13		
		Cover/body screws	9		
		Cover/body O Ring	16		
		Pilot O Ring	17		
9150/R83	Main piston pilot operated for N.C. solenoid valves type: 1078/13 - /M42 ; 1079/17	Nut/cover O Ring	10	10	
		Piston	14		
		Piston ring	15		
		Piston spring	13		
		Cover/body screws	9		
		Cover/body O Ring	16		
		Pilot O Ring	17		

SOLENOID VALVES

Catalogue N°	Suitable for:	Spare Parts List	Pos.	Fig.	Note
SPARE PARTS & KITS					
9150/R35	N.O. diaphragm solenoid valves type: 1164/.. ; 1168/.. Diaphragm pilot operated for: 1198/9 1178/11 1178/13 - /M42	Pre-assembled armature with nuts	8	17	
		Diaphragm	10		
		O Ring under coil	7		
		Nut/body O Ring	9		
9150/R84	N.O. piston solenoid valves type: 1134/.. ; 1138/..	Pre-assembled armature with nuts	8	18	
		Piston	10		
		O Ring under coil	7		
		Nut/body O Ring	9		
9150/R34	N.O. diaphragm solenoid valves type: 1170/4- /5 ; 1178/4 - /5 - /M12	N.O. armature group	9	19	
		Nut	8		
		O Ring under coil	7		
		Nut/cover O Ring	10		
		Diaphragm	14		
		Cover/body screws	11		
		Cover/body O Ring	13		
9150/R85	N.O. piston solenoid valves type: 1140/4- /5 ; 1148/4 - /5 - /M12	N.O. armature group	9	20	
		Nut	8		
		O Ring under coil	7		
		Nut/cover O Ring	10		
		Piston	14		
		Piston ring	15		
		Cover/body screws	11		
9151/R05	N.O. diaphragm solenoid valves type: 1190/5 - /6 ; 1198/5 - /6 - /7 (It replaces spare parts 9150/R40 e 9150/R49)	N.O. armature group	9	21	
		Nut	8		
		O Ring under coil	7		
		Nut/cover O Ring	10		
		Diaphragm	14		
		Cover/body screws	11		
		Cover/body O Ring	13		
9150/R51	N.O. piston solenoid valves type: 1150/5 - /6 ; 1158/5 - /6 - /7	N.O. armature group	9	22	
		Nut	8		
		O Ring under coil	7		
		Nut/cover O Ring	10		
		Piston	14		
		Piston ring	15		
		Cover/body screws	11		
Cover/body O Ring	13				

SOLENOID VALVES

Catalogue N°	Suitable for:	Spare Parts List	Pos.	Fig.	Note
SPARE PARTS & KITS					
9150/R42	N.O. diaphragm solenoid valves type: 1178/9	N.O. armature group	9	23	
		Diaphragm	17		
		Cover/body screws	11		
		Nut	8		
		Pilot O Ring	19		
		Nut/cover O Ring	10		
		O Ring under coil	7		
		Cover/body O Ring	15		
9150/R43	Main piston pilot operated for N.O. solenoid valves type 1198/9	Piston	17	24	
		Piston ring	18		
		Piston spring	16		
		Cover/body screws	12		
		Cover/body O Ring	19		
		Pilot O Ring	20		
		Nut/cover O Ring	15		
9150/R39	Main piston pilot operated for N.O. solenoid valves type 1178/11	Piston	17	24	
		Piston ring	18		
		Piston spring	16		
		Cover/body screws	12		
		Cover/body O Ring	19		
		Pilot O Ring	20		
		Nut/cover O Ring	15		
9150/R83	Main piston pilot operated for N.O. solenoid valves type 1178/13 - /M42	Piston	17	24	
		Piston ring	18		
		Piston spring	16		
		Cover/body screws	12		
		Cover/body O Ring	19		
		Pilot O Ring	20		
		Nut/cover O Ring	15		
G9150/R97	N.C. solenoid valves with coils type HM2 , CM2 , HM3 e HM4	Yellow nut	9	02	
		Black screw	10		
		O Ring for nut	11		
G9151/R47	N.O. solenoid valves	Yellow nut	1	17	
		O Ring for nut	2		
		Black screw	3		
		Red ring	4		
		O Ring for ring	5		
G9150/R06	N.C.solenoid valves type: 1020/.. ; 1028/.. ; 1064/.. ; 1068/.. ; 1070/4 - /5 ; 1078/4 - /5 - /M12 ; 1079/7 ; 1034/.. ; 1038/.. ; 1040/4 - /5 ; 1048/4 - /5 - /M12 ; 1049/7 N.O. solenoid valves type: 1164/.. ; 1168/.. ; 1170/4 - /5 ; 1178/4 - /5 - /M12 ; 1134/.. ; 1138/.. ; 1140/4 - /5 ; 1148/4 - /5 - /M12 ;	Bracket	12	02	
		Screw	13		

SOLENOID VALVES

Catalogue N°	Suitable for:	Spare Parts List	Pos.	Fig.	Note
GASKETS KITS					
9158/R02	N.C. soleoid valves type: 1020/.. ; 1028/..	O Ring under coil	2	02	
		Nut/body O Ring	7		
9158/R03	N.C. diaphragm soleoid valves type: 1064/.. ; 1068/.. N.C. piston soleoid valves type: 1034/.. ; 1038/..	O Ring under coil	2	03 04	
		Nut/body O Ring	4		
9158/R04	N.O. diaphragm soleoid valves type: 1164/.. ; 1168/.. N.O. piston soleoid valves type: 1134/.. ; 1138/..	O Ring under coil	7	17 18	
		Nut/body O Ring	9		
9158/R05	N.C. diaphragm soleoid valves type: 1070/4 - /5 ; 1078/4 - /5 - /M12 ; 1079/7 N.C. piston soleoid valves type: 1040/.. ; 1048/.. ; 1049/..	O Ring under coil	2	05 06	
		Nut/cover O Ring	7		
		Cover/body O Ring	10		
9158/R06	N.O. diaphragm soleoid valves type: 1170/4 - /5 ; 1178/4 - /5 - /M12 N.O. piston soleoid valves type: 1140/.. ; 1148/..	O Ring under coil	7	19 20	
		Nut/cover O Ring	10		
		Cover/body O Ring	13		
9158/R07	N.C. diaphragm soleoid valves type: 1090/5 - /6 ; 1098/5 - /6 - /7 1099/9 N.C. piston soleoid valves type: 1050/.. ; 1058/.. ; 1059/..	O Ring under coil	2	07 08	
		Nut/cover O Ring	7		
		Cover/body O Ring	10		
9158/R08	N.O. diaphragm soleoid valves type: 1190/5 - /6 ; 1198/5 - /6 - /7 N.O. piston soleoid valves type: 1150/.. ; 1158/..	O Ring under coil	7	21 22	
		Nut/cover O Ring	10		
		Cover/body O Ring	13		
9158/R09	N.C. diaphragm soleoid valves type: 1078/9 ; 1079/11	O Ring under coil	2	09	
		Nut/cover O Ring	7		
		Cover/body O Ring	10		
		Pilot O Ring	15		
9158/R10	N.O. diaphragm soleoid valves type 1178/9	O Ring under coil	7	23	
		Nut/cover O Ring	10		
		Cover/body O Ring	16		
		Pilot O Ring	13/19		
9158/R11	N.C. piston soleoid valves type: 1098/9 ; 1099/11	O Ring under coil	2	10	
		Nut/cover O Ring	4		
		Cover/body O Ring	16		
		Pilot O Ring	10/17		
9158/R12	N.O. piston soleoid valves type 1198/9	O Ring under coil	7	24	
		Nut/cover O Ring	9		
		Cover/body O Ring	19		
		Pilot O Ring	15/20		
9158/R13	N.C. piston soleoid valves type: 1078/11 ; 1079/13-M42	O-ring under coil	2	10	
		Nut/cover O-ring	4		
		Nut/body O-ring	10		
		Pilot O-Ring	12-18		
		Cover/body O-ring	17		
9158/R14	N.O. piston soleoid valves type 1178/11	O Ring under coil	7	24	
		Nut/cover O Ring	9		
		Cover/body O Ring	19		
		Pilot O Ring	15/20		
9158/R15	N.C. piston soleoid valves type: 1078/13-M42 ; 1079/17	O-ring under coil	2	10	
		Nut/cover O-ring	4		
		Nut/body O-ring	10		
		Pilot O-Ring	12-18		
		Cover/body O-ring	17		
9158/R16	N.O. piston soleoid valves type 1178/13-M42	O Ring under coil	7	24	
		Nut/cover O Ring	9		
		Cover/body O Ring	19		
		Pilot O Ring	15/20		

SOLENOID VALVES

Catalogue N°	Suitable for:	Spare Parts List	Pos.	Fig.	Note
GP VALVES					
9150/R15	Solenoid valves type: 1512/.. 1522/..	Plunger	6	25	
		Plunger spring	5		
		Nut/body O Ring	7		
9150/R12	Solenoid valves type: 1132/03 - /04	Plunger	6	26	
		Plunger spring	5		
		Nut/body O Ring	7		
		Diaphragm	11		
		Cover/body O Ring	10		
		Cover/body screws	8		
9150/R13	Solenoid valves type: 1132/06 - /08	Plunger	6	27	
		Plunger spring	5		
		Nut/body O Ring	7		
		Diaphragm	10		
		Cover/body screws	8		
9150/R14	Solenoid valves type: 1142/010 - /012	Plunger	6	28	
		Plunger spring	5		
		Nut/cover O Ring	7		
		Diaphragm	13		
		No 2 pilot O Rings	14		
		Cover/body screws	8		
		Diaphragm spring	12		

CHECK VALVES

Catalogue N°	Suitable for:	Spare Parts List	Pos.	Fig.	Note
SPARE PARTS & KITS					
9150/R52	Check valves type: 3122/7 - /9 - /M22 - /M28 3142/7 - /9 - /M28 3182/7 - /9 - /M28	Cover/body screws	1	29	
		Cover/body rubber-metallic gasket	3		
		Piston	5		
		Spring	4		
9150/R53	Check valves type: 3122/11 3142/11 3182/11	Cover/body screws	1	29	
		Cover/body rubber-metallic gasket	3		
		Piston	5		
		Spring	4		
9150/R54	Check valves type: 3122/13 - /M42 3142/13 - /M42	Cover/body screws	1	29	
		Cover/body rubber-metallic gasket	3		
		Piston	5		
		Spring	4		
9150/R55	Check valves type: 3122/17 3142/17 - /21 - /25 3182/13 - /M42 - /17	Cover/body screws	1	29	
		Cover/body rubber-metallic gasket	3		
		Piston	5		
		Spring	4		
GASKETS					
111082	Check valves type: 3122/7 - /9 - /M22 - /M28 3142/7 - /9 - /M28 3182/7 - /9 - /M28	Cover/body rubber-metallic gasket	3	29	minimum order quantity 20 pieces
111083	Check valves type: 3122/11 3142/11 3182/11	Cover/body rubber-metallic gasket	3	29	minimum order quantity 10 pieces
111084	Check valves type: 3122/13 - /M42 3142/13 - /M42	Cover/body rubber-metallic gasket	3	29	minimum order quantity 10 pieces
111085	Check valves type: 3122/17 3142/17 - /21 - /25 3182/13 - /M42 - /17	Cover/body rubber-metallic gasket	3	29	minimum order quantity 5 pieces

INDICATORS

Catalogue N°	Suitable for:	Spare Parts List	Pos.	Fig.	Note
SPARE PARTS & KITS					
9150/R20	Liquid indicators type 3620/..	Protection cap	1	31	
		Nut	2		
		Nut/body O Ring	3		
9150/R21	Moisture - liquid indicators type: 3770/.. ; 3771/.. ; 3780/.. ; 3781/..	Pre-assembled nut	1	31	
		Protection cap	2		
		Nut/body O Ring	3		
	Filter driers with indicator type: 4105/.. ; 4108/.. ; 4116/.. ; 4132/..	Pre-assembled nut	1	33	
		Protection cap	2		
		Nut/body O Ring	3		
GASKETS					
004259	Liquid indicators type: 3620/.. Moisture - liquid indicators type: 3770/.. ; 3771/.. ; 3780/.. ; 3781/.. Filter driers with indicator type: 4105/.. ; 4108/.. ; 4116/.. ; 4132/..	Nut/body O Ring	3	31 33	minimum order quantity 20 pieces

FILTERS

Catalogue N°	Suitable for:	Spare Parts List	Pos.	Fig.	Note
SPARE PARTS & KITS					
G9150/R05	Filters with replaceable block type: 4411/.. ; 4412/.. ; 4413/.. ; 4414/.. 4421/.. ; 4423/.. ; 4424/.. SF411/.. ; SF412/.. ; SF413/.. ; SF414/..	Cap with gasket	1	35	
		Valve core	2		
		Access fitting	3		
7520/2	All the filters series 44 and SF4	Nut 1/4 NPT	1	34	
003319	All the filters series 44 and SF4	Spring	5	34	
			7	35	
114515	Filters with replaceable block type: 4411/.. ; 4412/.. ; 4413/.. ; 4414/..	Aluminium threaded cover 1/4 " NPT	3	34	
			5	35	
114517	Filters with replaceable block type: 4411/.. ; 4412/.. ; 4413/.. ; 4414/..	Aluminium blind cover	3	34	
			5	35	
114321	Filters with replaceable block type: SF411/.. ; SF412/.. ; SF413/.. ; SF414/..	Plated steel threaded cover 1/4 " NPT	3	34	
			5	35	
114322	Filters with replaceable block type: SF411/.. ; SF412/.. ; SF413/.. ; SF414/..	Plated steel blind cover	3	34	
			5	35	
G9150/R59	Filters with replaceable block type: 4411/.. ; 4412/.. ; 4413/.. ; 4414/..	N° 8 screws M8x30 - 8.8	2	34	
G9151/R82	Filters with replaceable block type: SF411/.. ; SF412/.. ; SF413/.. ; SF414/..	N° 8 screws M8x35 - 8.8	2	34	
G9150/R60	Filters with replaceable block type: 4411/..C	N° 8 stainless steel screws M8x30	4	35	
G9151/R42	Filters with replaceable block type: SF411/..C	N° 8 stainless steel screws M8x35	4	35	
007677	Filters with replaceable block type: 4411/.. ; 4412/.. ; 4413/.. ; 4414/.. SF411/.. ; SF412/.. ; SF413/.. ; SF414/..	Filtering tube for one block	8	34	
007678	Filters with replaceable block type: 4411/.. ; 4412/.. ; 4413/.. ; 4414/.. SF411/.. ; SF412/.. ; SF413/.. ; SF414/..	Filtering tube for two blocks	7	34	
9151/R01	Filters with replaceable block type: 4411/.. ; 4412/.. ; 4413/.. ; 4414/..	Dehydrating block top	6	34	
		Dehydrating block bottom	9		
		Cover gasket	4		
9151/R44	Filters with replaceable block type: SF411/.. ; SF412/.. ; SF413/.. ; SF414/..	Dehydrating block top	6	34	
		Dehydrating block bottom	9		
		Cover gasket	4		
9151/R02	Filters with replaceable block type: 4411/..C	Mechanical block top	8	35	
		Mechanical block bottom	9		
		Cover gasket	6		
9151/R45	Filters with replaceable block type: SF411/..C	Mechanical block top	8	35	
		Mechanical block bottom	9		
		Cover gasket	6		
008338	Filters with replaceable block type: 4421/.. ; 4423/.. ; 4424/..	Plated steel threaded cover 1/4 " NPT	3	36	
			5	35	
G9150/R93	Filters with replaceable block type: 4421/.. ; 4423/.. ; 4424/..	N° 8 stainless steel screws M12x40	2	36	
			4	35	
9151/R46	Filters with replaceable block type: 4421/..A ; 4423/..A ; 4424/..A	Screw for filtering tube	6	36	
		Dehydrating block top	7		
		Dehydrating block bottom	9		
		Cover gasket	4		
008403	Filters with replaceable block type 4421/..A	Filtering tube	8	36	
008345	Filters with replaceable block type 4423/..A	Filtering tube	8	36	
9151/R96	Filters with replaceable block type 4423/..A	Reinforced filtering tube	8	36	
008344	Filters with replaceable block type 4424/..A	Filtering tube	8	36	
9151/R73	Filters with replaceable block type 4424/..A	Reinforced filtering tube	8	36	
9150/R58	Filters with replaceable block type 4421/..C	Mechanical block top	8	35	
		Mechanical block bottom	9		
		Cover gasket	6		
GASKETS					
110968	Filters with replaceable block type: 4411/.. ; 4412/.. ; 4413/.. ; 4414/.. Filters with replaceable block of other manufactures: DANFOSS; ALCO, PARKER, SPORLAN, KMP, CARLY, HENRY	Cover gasket	4	34	minimum order quantity 20 pieces
			6	35	
114872	Filters with replaceable block type: SF411/.. ; SF412/.. ; SF413/.. ; SF414/..	Cover gasket	4	34	minimum order quantity 20 pieces
			6	35	
111018	Filters with replaceable block type: 4421/.. ; 4423/.. ; 4424/..	Cover gasket	4	36	minimum order quantity 10 pieces

OIL SEPARATORS

Catalogue N°	Suitable for:	Spare Parts List	Pos.	Fig.	Note
SPARE PARTS & KITS					
5590/5	Oil separators 5520/C	No 2 Nuts	1	38	
		No 2 Connections	2		
5590/7	Oil separators 5520/C	No 2 Nuts	1	38	
		No 2 Connections	2		
5590/9	Oil separators 5520/D	No 2 Nuts	1	38	
		No 2 Connections	2		
5590/11	Oil separators 5520/D	No 2 Nuts	1	38	
		No 2 Connections	2		
5590/13	Oil separators 5520/E	No 2 Nuts	1	38	
		No 2 Connections	2		
5590/M42	Oil separators 5520/E	No 2 Nuts	1	38	
		No 2 Connections	2		
GASKETS					
003879	Oil separators 5520/C	No 1 Connection gasket	3	38	
003870	Oil separators 5520/D	No 1 Connection gasket	3	38	
003965	Oil separators 5520/E	No 1 Connection gasket	3	38	

VALVES

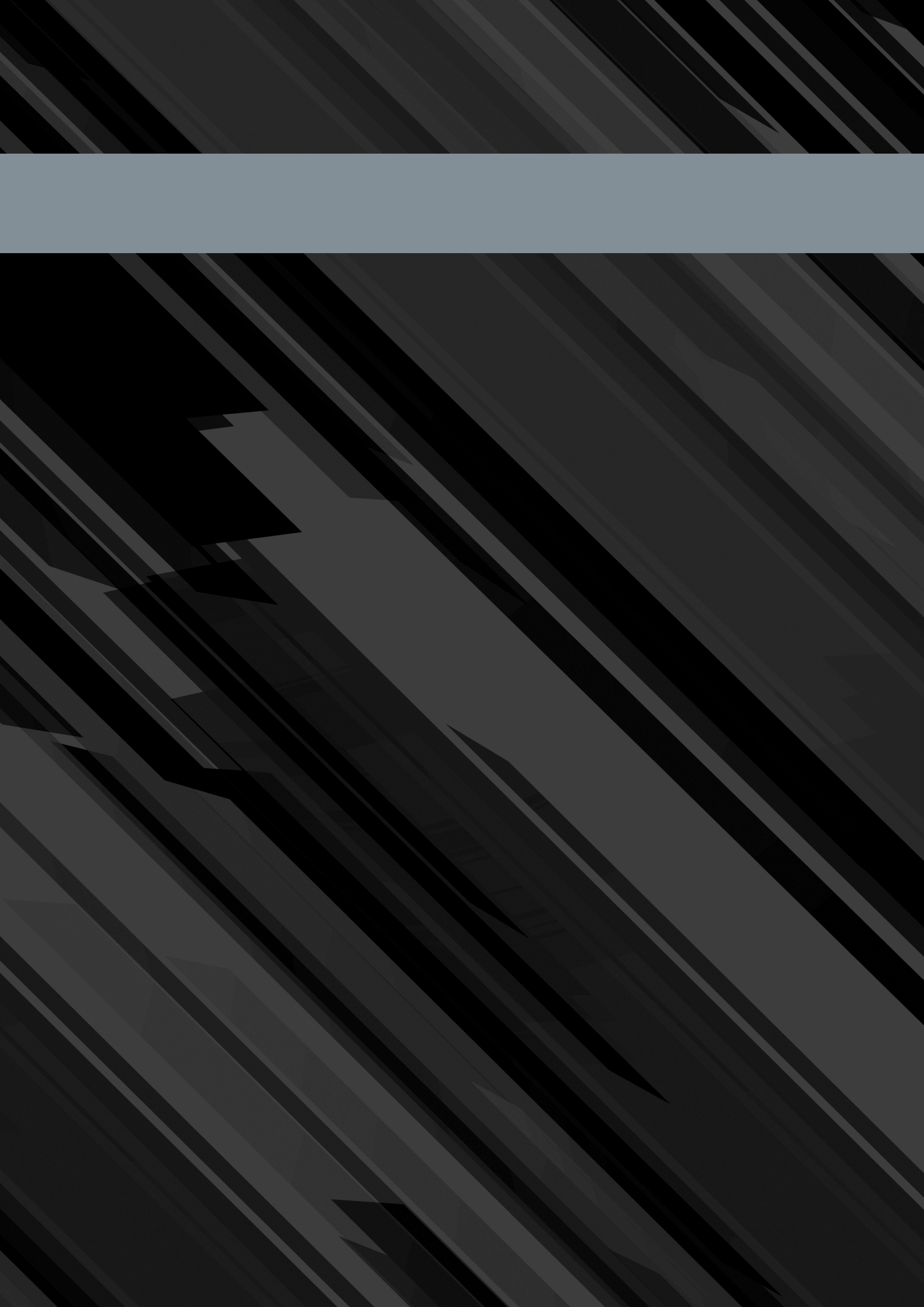
Catalogue N°	Suitable for:	Spare Parts List	Pos.	Fig.	Note
SPARE PARTS & KITS					
CHANGEOVER VALVES					
008281	Changeover valve 3032/33 ; 3032/44 3032/64 ; 3032/66	Cap	6 4	39 40	
009490	Changeover valve 3032/88 ; 3032/108	Cap	4	40	
SHUT-OFF VALVES					
111602	Ball shut-off valves 3064/22 ; 3064/33 3064/44	Cap	1	41	
111635	Ball shut-off valves 3064/88	Cap	1	41	
HERMETIC VALVES					
113567	Hermetic valves type 6010/.. ; 6012/.. ; 6020/.. ; 6062/.. ; 6072/..	Cap	1	42	
G9150/R33	Hermetic valves type 6020/..	Screw Spring washer	3 4	42	
RECEIVER VALVES					
113567	Receiver valves type: 6110/21 - /22 - /23 - /32 - /33 - /X13 - /X15 6120/22 - /23 - /32 - /33 6132/.. 6140/22 - /23	Cap	1	43	
009036	Receiver valves type: 6110/43 - /44 - /54 6120/43 - /44 - /54	Cap	1	43	
008282	Receiver valves type: 6110/66 6120/66	Cap	1	43	
STOP VALVES					
008004	Stop valves type 6165/22 - /33 ; 6175/33	Cap	1	44	
008005	Stop valves type 6175/44 - /55	Cap	1	44	
007481	Stop valves type 6170/66 - /77	Cap	1	44	
DIAPHRAGM VALVES					
002822	Diaphragm valves type: 6210/.. ; 6220/..	Red handle	1	45	
CAPPED VALVES					
113567	6410/.. ; 6420/..	Cap	1	46	
GLOBE VALVES					
001635	Globe valves type: 6512/M22 - /7 - /M28 - /9 - /11	Cap	1	47	
004299	Globe valves type: 6512/M22 - /7 - /M28 - /9	Cover/body screw	2	47	
004692	Globe valves type: 6512/11	Cover/body screw	2	47	
001228	Globe valves type: 6512/13 - /M42 - /17	Cap	1	47	
004302	Globe valves type: 6512/13 - /M42 - /17	Cover/body screw	2	47	

VALVES

Catalogue N°	Suitable for:	Spare Parts List	Pos.	Fig.	Note
SPARE PARTS & KITS					
BALL VALVES					
111602	Ball valves type: 6570/2 - /3 - /4 - /5 - /6 - /M6 - /M10 - /M12 - / M15 - /M18 6570/2A - /3A - /4A - /5A - /6A - /M6A - /M10A - / M12A - /M15A - /M18A 6571/5 - /7	Cap	1	48	
111635	Ball valves type: 6570/7 - /9 - /M28 6570/7A - /9A - /M28A 6571/M28 - /9 - /11	Cap	1	48	
9151/R81	Ball valves type: 6570/11 - /13 - /M42 6570/11A - /13A - /M42A 6571/13 - /M42 - /17	Cap with gasket	1 2	48	
9151/R11	Ball valves type: 6570/17 - /17A 6571/21 - /21A 6571/M64 - /M64A 6570/M64A - /21A 6571/24A - /25A	Cap with gasket	1 2	48	
9151/R12	Ball valves type: 6570/24A - /25A - /28A - /29A 6571/28A - /29A - /33A - /34A	Cap with gasket	1 2	48	
3-WAYS BALL VALVES					
111602	3-ways ball valves type: 6690/3 - /M10 - /M12 - /4 - /5 - /M18 - /6	Cap	1	49	
111635	3-ways ball valves type: 6690/7 - /9 - /M28	Cap	1	49	
113913	3-ways ball valves type: 6690/11 - /13 - /M42	Cap	1	49	

VALVES

Catalogue N°	Suitable for:	Spare Parts List	Pos.	Fig.	Note
GASKETS					
CHANGEOVER VALVES					
9158/R26	Changeover valve 3032/33 ; 3032/44	Connection/body O-Ring	2	39	minimum order quantity 20 pieces
9158/R30	Changeover valve 3032/33 ; 3032/44	Elbow/body O-Ring	5	39	minimum order quantity 20 pieces
9158/R31	Changeover valve 3032/64 ; 3032/66	Elbow/body O-Ring	3	40	minimum order quantity 20 pieces
9158/R29	Changeover valve 3032/88 ; 3032/108	Elbow/body O-Ring	3	40	minimum order quantity 20 pieces
CAPPED VALVES					
005174	Capped valves type: 6410/2 - /3 - /4 - /5 6420/2 - /3 - /3S3 - /M10 - /M12 - /4 - /5	Nipple/body O-Ring	3	46	minimum order quantity 20 pieces
007676	Capped valves type: 6410/6 6420/M18 - /6 - /M22 - /7	Nipple/body O-Ring	3	46	minimum order quantity 10 pieces
GLOBE VALVES					
004296	Globe valves type: 6512/M22 - /7 - /M28 - /9 - /11	Cap gasket	3	47	minimum order quantity 20 pieces
111082	Globe valves type: 6512/M22 - /7 - /M28 - /9	Cover/body gasket	6	47	minimum order quantity 20 pieces
111083	Globe valves type: 6512/11	Cover/body gasket	6	47	minimum order quantity 10 pieces
000830	Globe valves type: 6512/13 - /M42 - /17	Cap gasket	3	47	minimum order quantity 20 pieces
111084	Globe valves type: 6512/13 - /M42	Cover/body gasket	6	47	minimum order quantity 10 pieces
111085	Globe valves type: 6512/17	Cover/body gasket	6	47	minimum order quantity 5 pieces
BALL VALVES					
113914	Ball valves type: 6570/11 - /13 - /M42 6570/11A - /13A - /M42A 6571/13 - /M42 - /17	Cap gasket	2	48	minimum order quantity 20 pieces
112675	Ball valves type: 6570/17 - /17A 6571/21 - /21A 6571/M64 - /M64A 6570/M64A - /21A 6571/24A - /25A	Cap gasket	2	48	minimum order quantity 20 pieces
112819	Ball valves type: 6570/24A - /25A - /28A - /29A 6571/28A - /29A - /33A - /34A	Cap gasket	2	48	minimum order quantity 20 pieces
3-WAYS BALL VALVES					
004296	3-ways ball valves type: 6690/7 - /9 - /M28	Cap gasket	1	49	minimum order quantity 20 pieces
113914	3-ways ball valves type: 6690/11 - /13 - /M42	Cap gasket	1	49	minimum order quantity 20 pieces



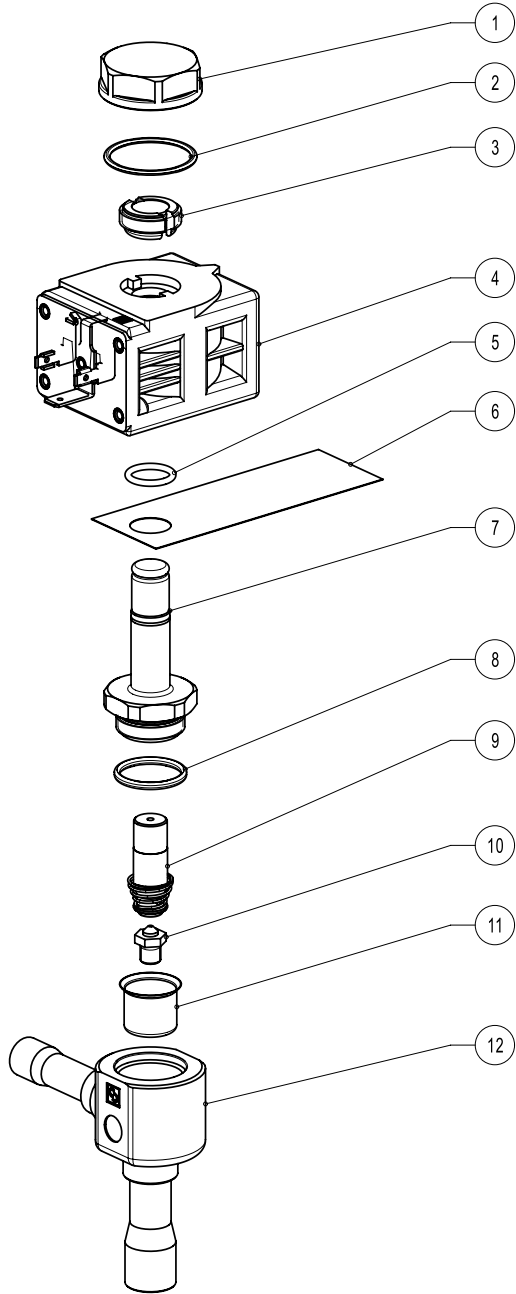
**EXPLODED
DRAWINGS**



FIG. 01

PWM EXPANSION VALVES

TYPE 2028/.. – 2029/.. (CLASSIC)
 2028N/.. – 2028EX/.. – 2029N/.. (POLYHEDRA)
 2028E/.. – 2029E/.. (GO GREEN)



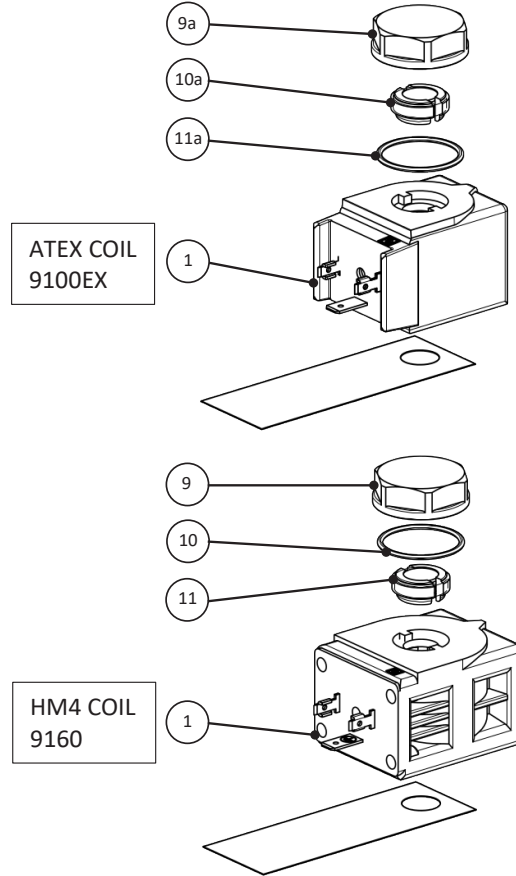
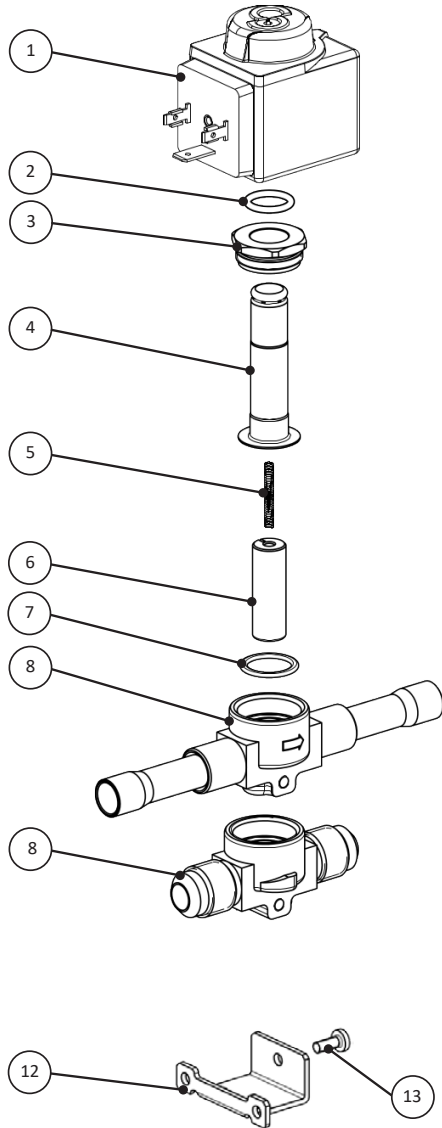
2028
 2028N

1)	NUT
2)	O-RING
3)	BLACK SCREW
4)	COIL
5)	O-RING
6)	LABEL
7)	ARMATURE
8)	O-RING
9)	PLUNGER+ SPRING
10)	ORIFICE
11)	FILTER
12)	BODY

FIG. 02

SOLENOID VALVES

TYPE 1020/.. – 1028/.. (CLASSIC)
 1020N/.. – 1028N/.. – 1028EX/.. (POLYHEDRA)
 1028EL/.. (GO GREEN)



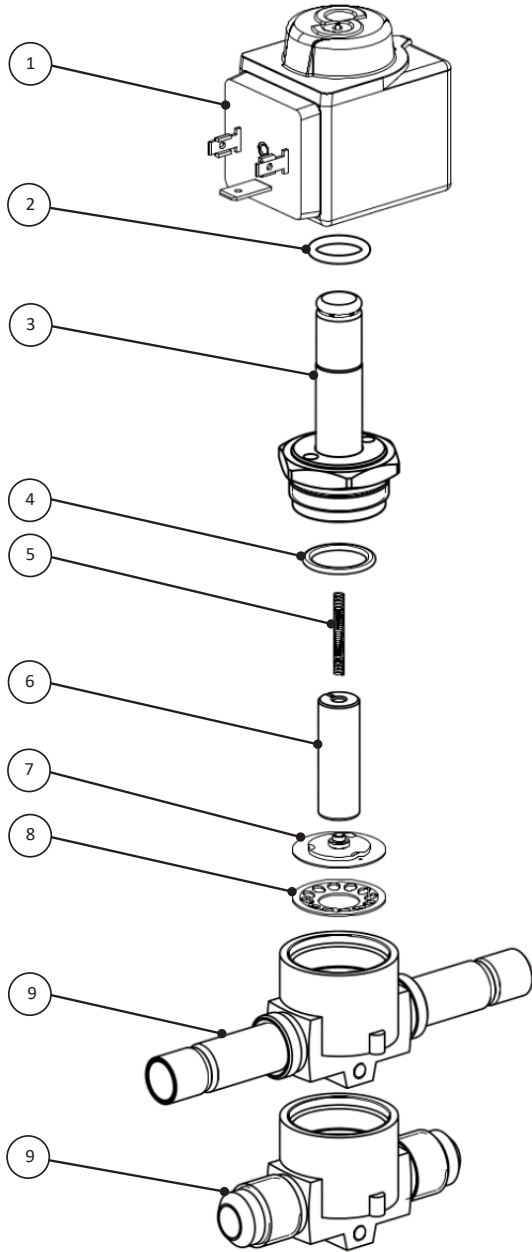
1)	COIL
2)	O-RING
3)	NUT
4)	ARMATURE
5)	SPRING
6)	PLUNGER
7)	O-RING
8)	BODY
9) - 9a)	NUT
10) - 10a)	O-RING
11) - 11a)	BLACK SCREW
12)	BRACKET
13)	SCREW

FIG. 03

SOLENOID VALVES

TYPE 1064/.. – 1068/.. (CLASSIC)

1064N/.. – 1068N/.. – 1068EX/.. (POLYHEDRA)



FOR ATEX VALVES 1068EX
SEE POS. 9a – 10a – 11a OF FIG. 02

1)	COIL
2)	O-RING
3)	NUT + ARMATURE
4)	O-RING
5)	SPRING
6)	PLUNGER
7)	DIAPHRAGM
8)	DRILLED WASH
9)	BODY

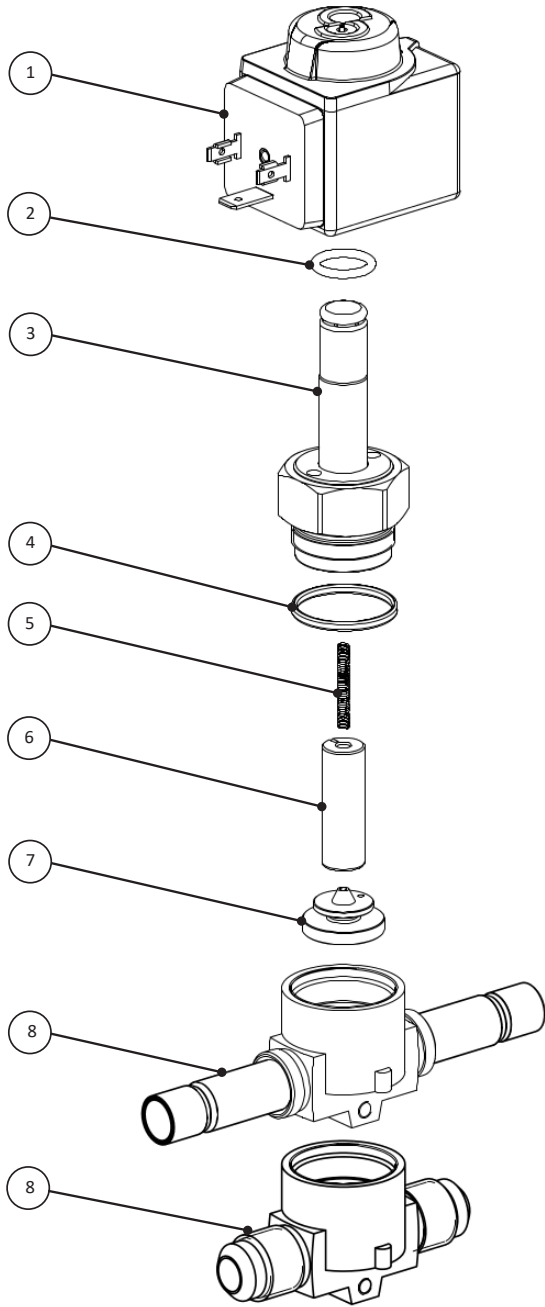
FIG. 04

SOLENOID VALVES

TYPE 1034/.. – 1038/.. (CLASSIC)

1034N/.. – 1038N/.. (POLYHEDRA)

1038EL/.. (GO GREEN)

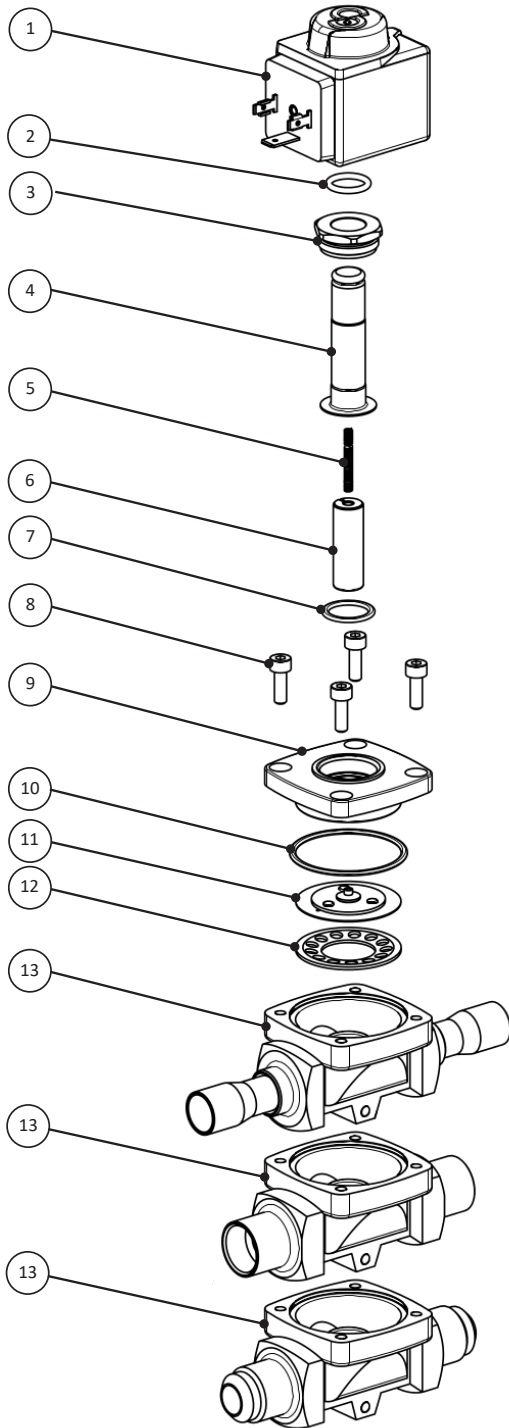


1)	COIL
2)	O-RING
3)	NUT + ARMATURE
4)	O-RING
5)	SPRING
6)	PLUNGER
7)	PISTON
8)	BODY

FIG. 05

SOLENOID VALVES

TYPE 1070/.. – 1076/.. – 1078/.. – 1079/.. (CLASSIC)
 1070N/.. – 1078N/.. – 1079N/.. (POLYHEDRA)
 1078EX/.. – 1079EX/.. (POLYHEDRA)



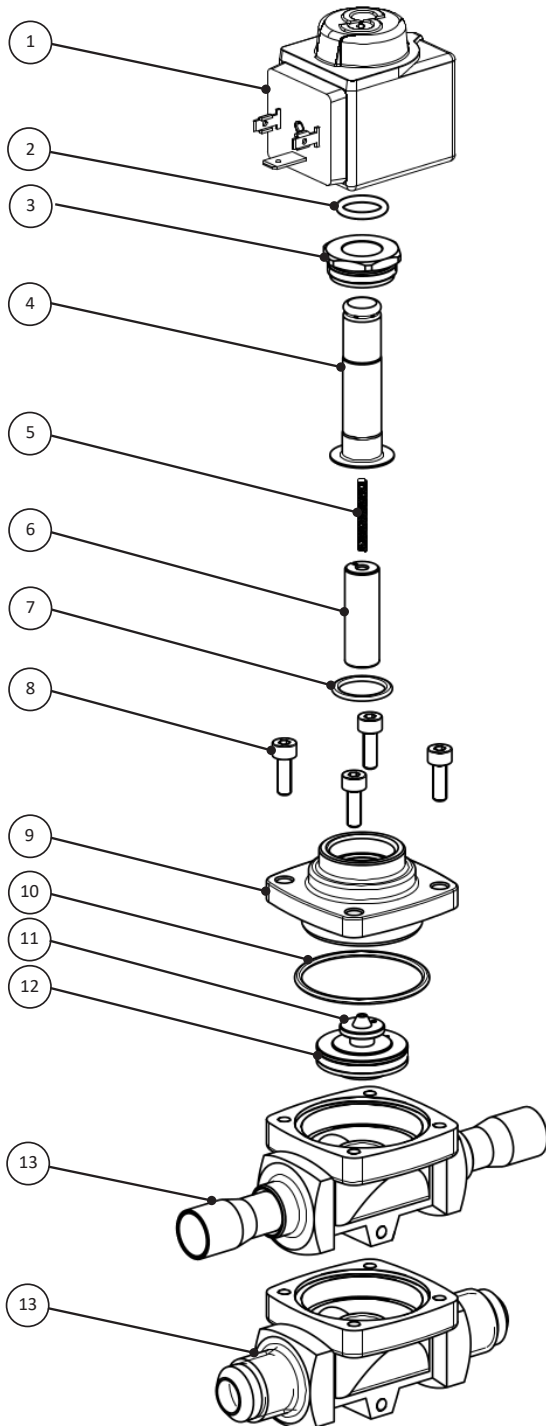
FOR ATEX VALVES 1078EX – 1079EX
 SEE POS. 9a – 10a – 11a OF FIG. 02

1)	COIL
2)	O-RING
3)	NUT
4)	ARMATURE
5)	SPRING
6)	PLUNGER
7)	O-RING
8)	SCREW
9)	COVER
10)	O-RING
11)	DIAPHRAGM
12)	DRILLED WASH
13)	BODY

FIG. 06

SOLENOID VALVES

TYPE 1040/.. – 1048/.. – 1049/.. (CLASSIC)
 1040N/.. – 1048N/.. – 1049N/.. (POLYHEDRA)
 1048EL/.. (GO GREEN)

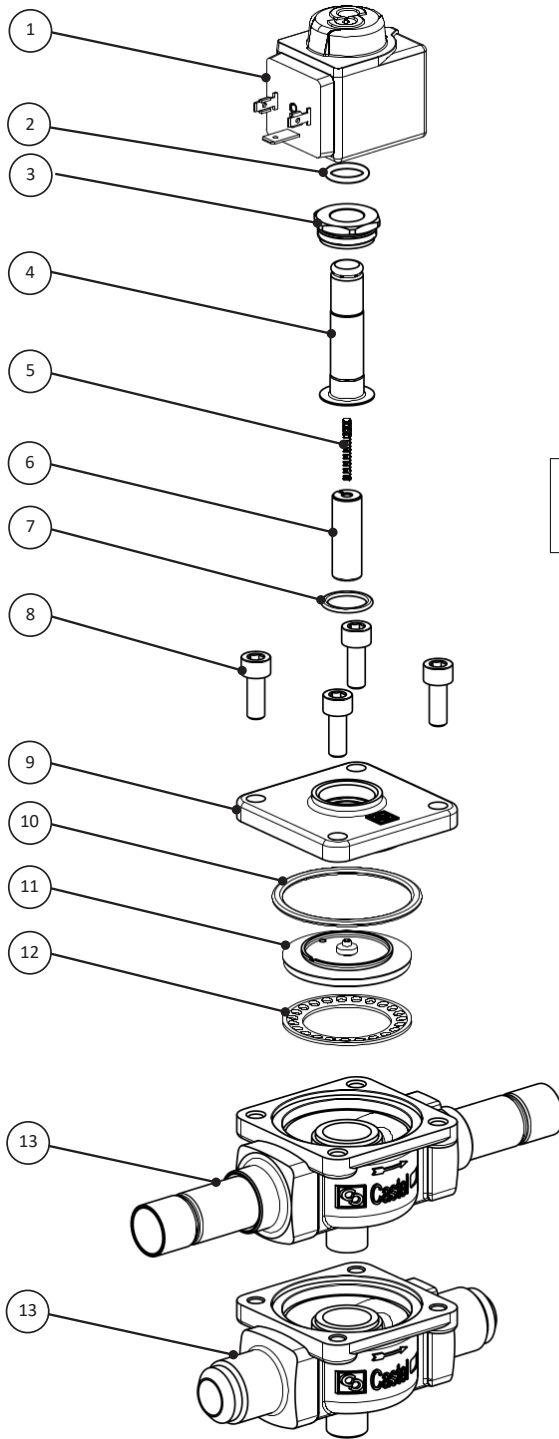


1)	COIL
2)	O-RING
3)	NUT
4)	ARMATURE
5)	SPRING
6)	PLUNGER
7)	O-RING
8)	SCREW
9)	COVER
10)	O-RING
11)	PISTON
12)	PISTON RING
13)	BODY

FIG. 07

SOLENOID VALVES

TYPE 1090/.. – 1098/.. – 1099/.. (CLASSIC)
 1090N/.. – 1098N/.. – 1099N/.. (POLYHEDRA)
 1098EX/.. – 1099EX/.. (POLYHEDRA)



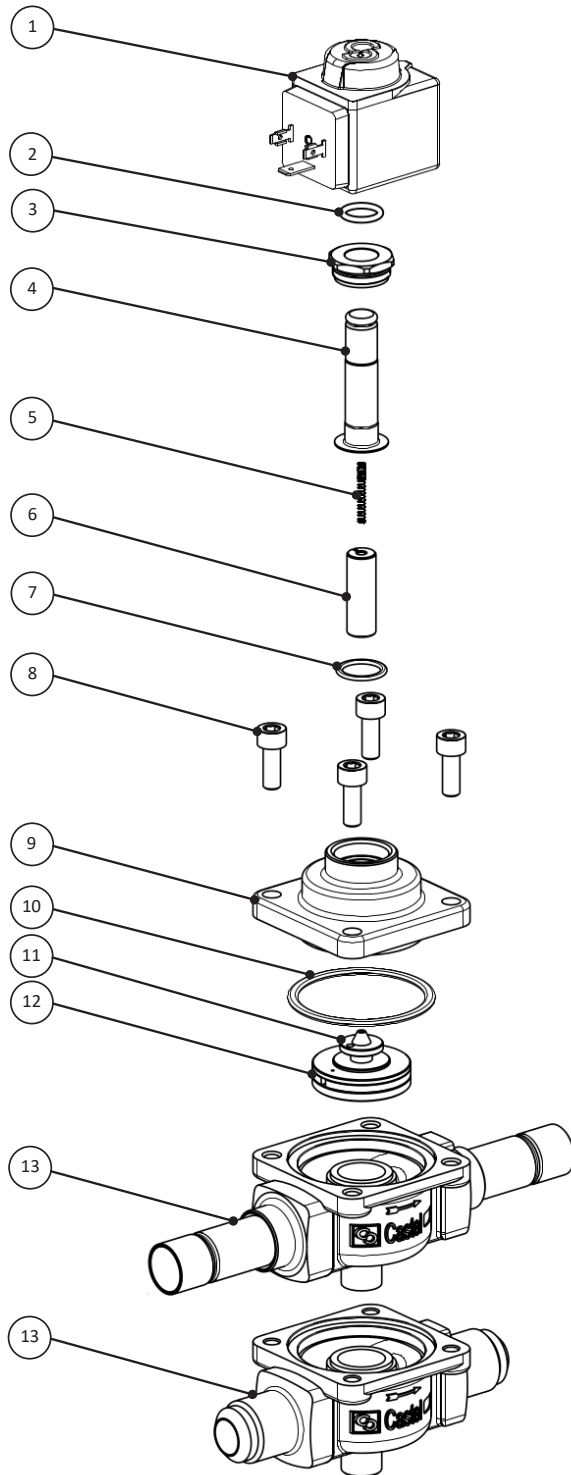
FOR ATEX VALVES 1098EX – 1099EX
 SEE POS. 9a – 10a – 11a OF FIG. 02

1)	COIL
2)	O-RING
3)	NUT
4)	ARMATURE
5)	SPRING
6)	PLUNGER
7)	O-RING
8)	SCREW
9)	COVER
10)	O-RING
11)	DIAPHRAGM
12)	DRILLED WASH
13)	BODY

FIG. 08

SOLENOID VALVES

TYPE 1050/.. – 1058/.. – 1059/.. (CLASSIC)
 1050N/.. – 1058N/.. – 1059N/.. (POLYHEDRA)
 1058EL/.. (GO GREEN)



1)	COIL
2)	O-RING
3)	NUT
4)	ARMATURE
5)	SPRING
6)	PLUNGER
7)	O-RING
8)	SCREW
9)	COVER
10)	O-RING
11)	PISTON
12)	PISTON RING
13)	BODY

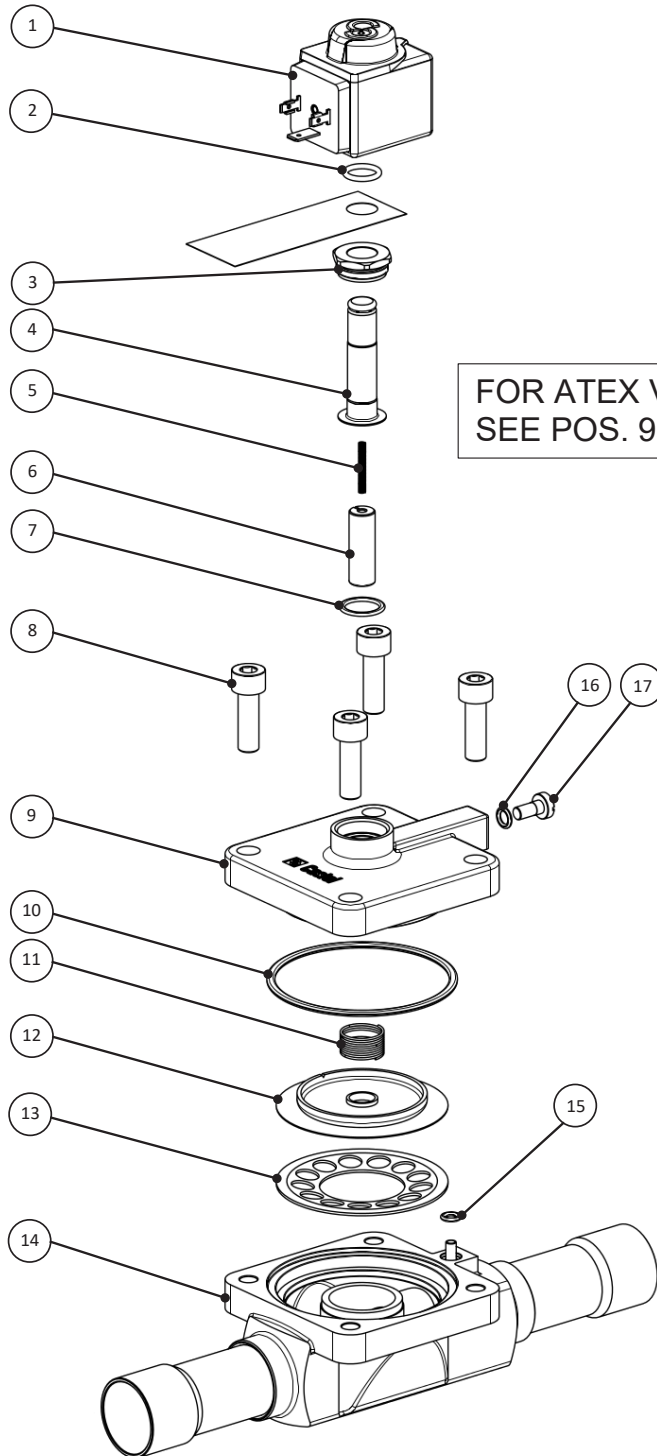
FIG. 09

SOLENOID VALVES

TYPE 1078/9 – 1079/11 (CLASSIC)

1078N/9 – 1079N/11 (POLYHEDRA)

1078EX/9 – 1079EX/11 (POLYHEDRA)



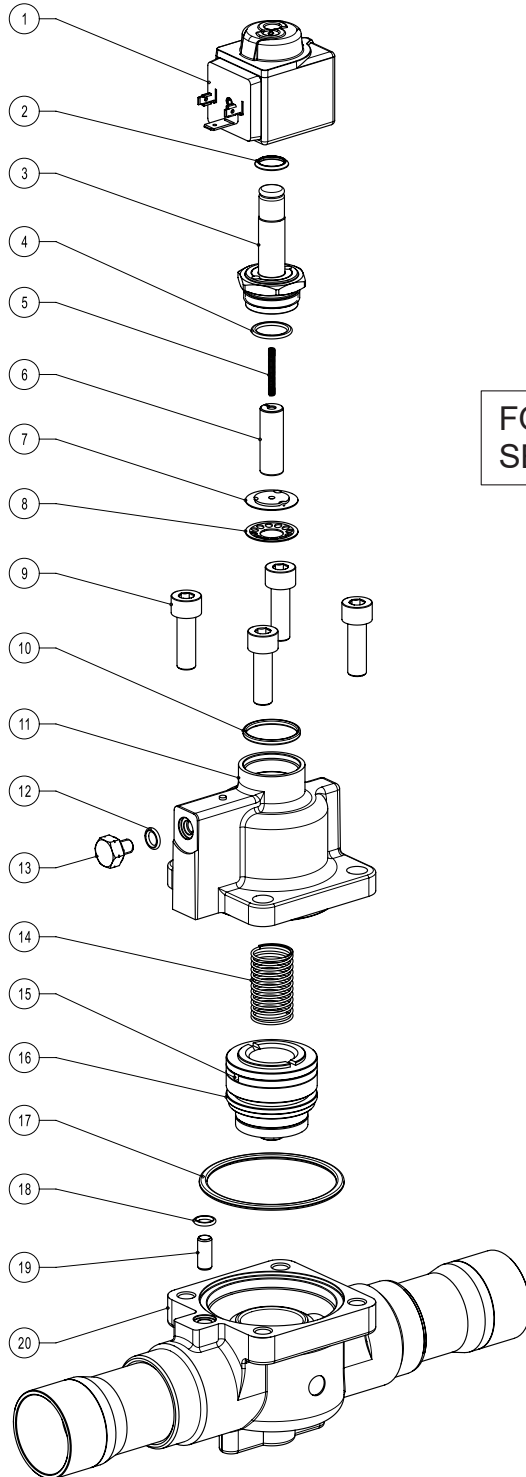
FOR ATEX VALVES 1078EX/9 – 1079EX/11
SEE POS. 9a – 10a – 11a OF FIG. 02

1)	COIL
2)	O-RING
3)	NUT
4)	ARMATURE
5)	SPRING
6)	PLUNGER
7)	O-RING
8)	SCREW
9)	COVER
10)	O-RING
11)	SPRING
12)	DIAPHRAGM
13)	DRILLED WASH
14)	BODY
15)	O-RING
16)	O-RING
17)	SCREW

FIG. 10

SOLENOID VALVES

TYPE 1078/.. – 1079/.. – 1098/.. – 1099/.. (CLASSIC)
 1078NW/.. – 1079NW/.. – 1098N/.. – 1099N/.. (POLYHEDRA)
 1098EX/.. – 1099EX/.. (POLYHEDRA)
 1098EL/.. – 1078EL/.. (GO GREEN)

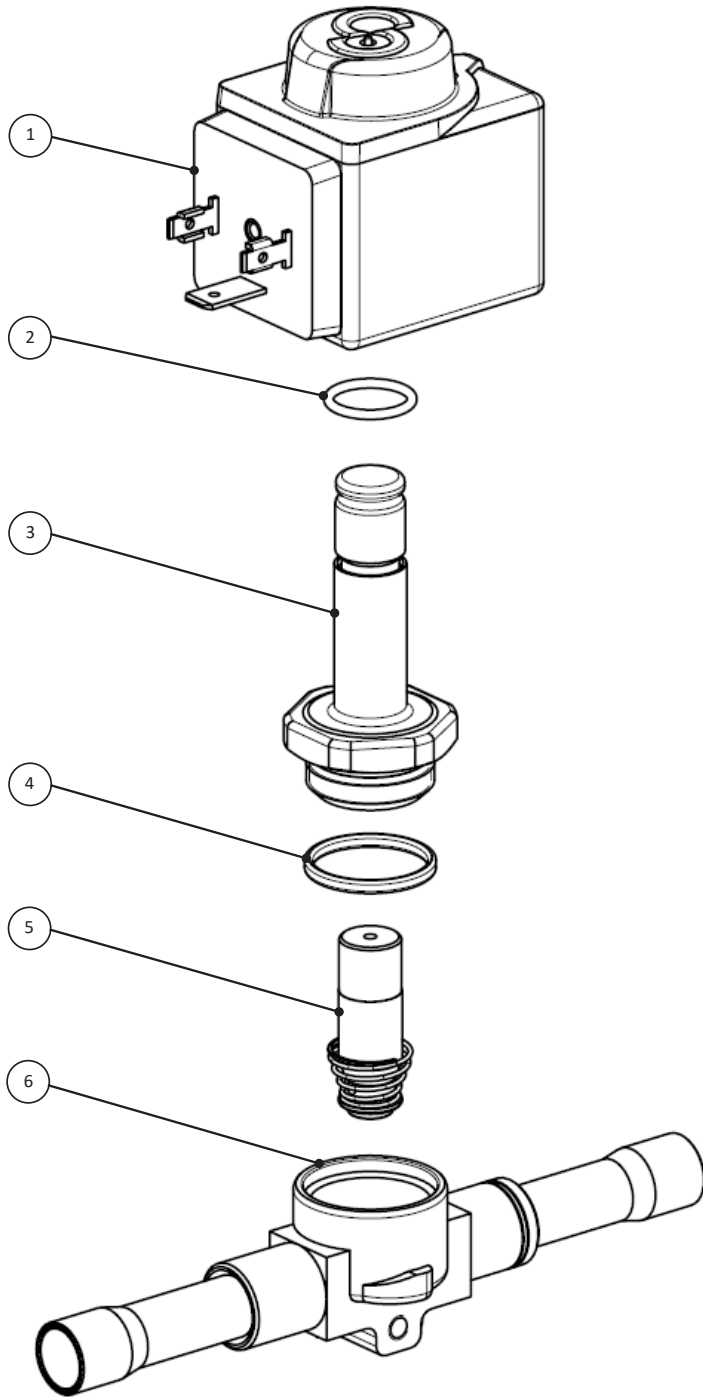


FOR ATEX VALVES 1098EX – 1099EX
 SEE POS. 9a – 10a – 11a OF FIG. 02

1)	COIL
2)	O-RING
3)	NUT+ARMATURE
4)	O-RING
5)	SPRING
6)	PLUNGER
7)	DIAPHRAGM
8)	DRILLED WASH
9)	SCREW
10)	O-RING
11)	COVER
12)	O-RING
13)	SCREW
14)	SPRING
15)	PISTON RING
16)	PISTON
17)	O-RING
18)	O-RING
19)	PIN
20)	BODY

FIG. 11

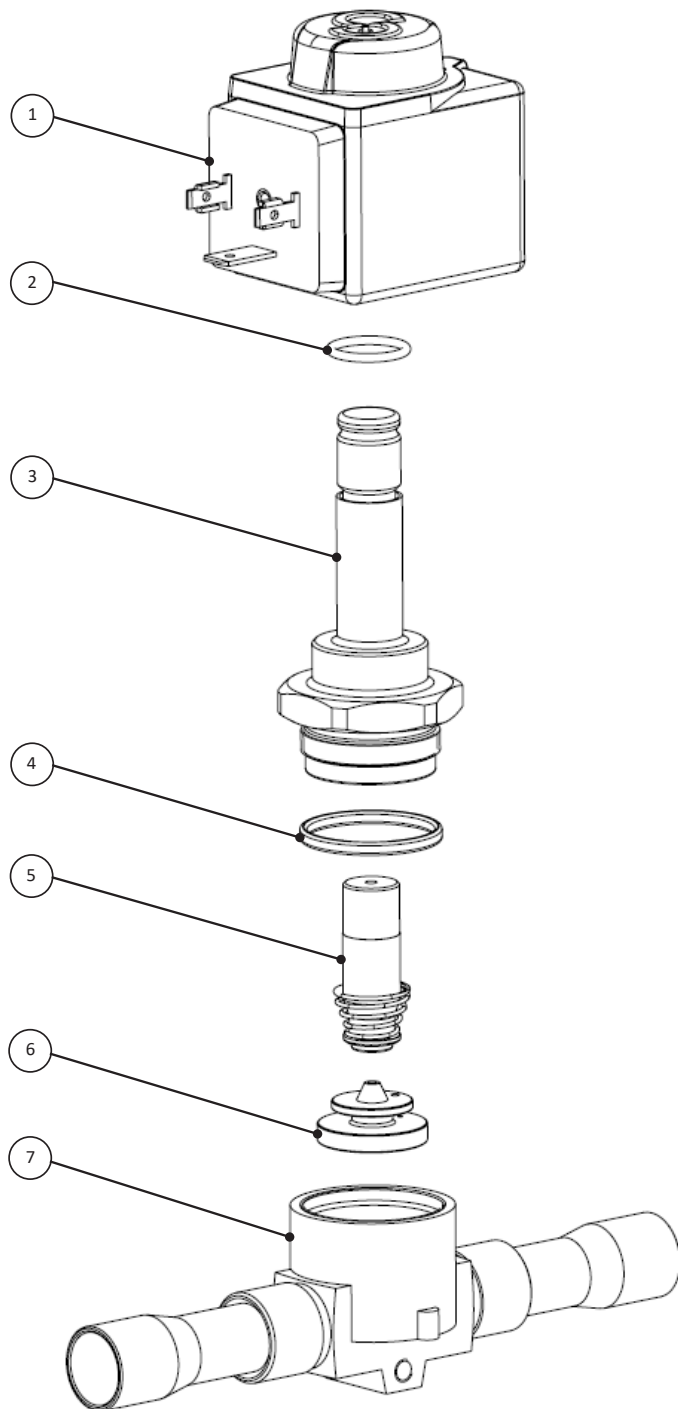
PWM SOLENOID VALVES
TYPE 1328N/.. (POLYHEDRA)



1)	COIL
2)	O-RING
3)	NUT + ARMATURE
4)	O-RING
5)	PLUNGER + SPRING
6)	BODY

FIG. 12

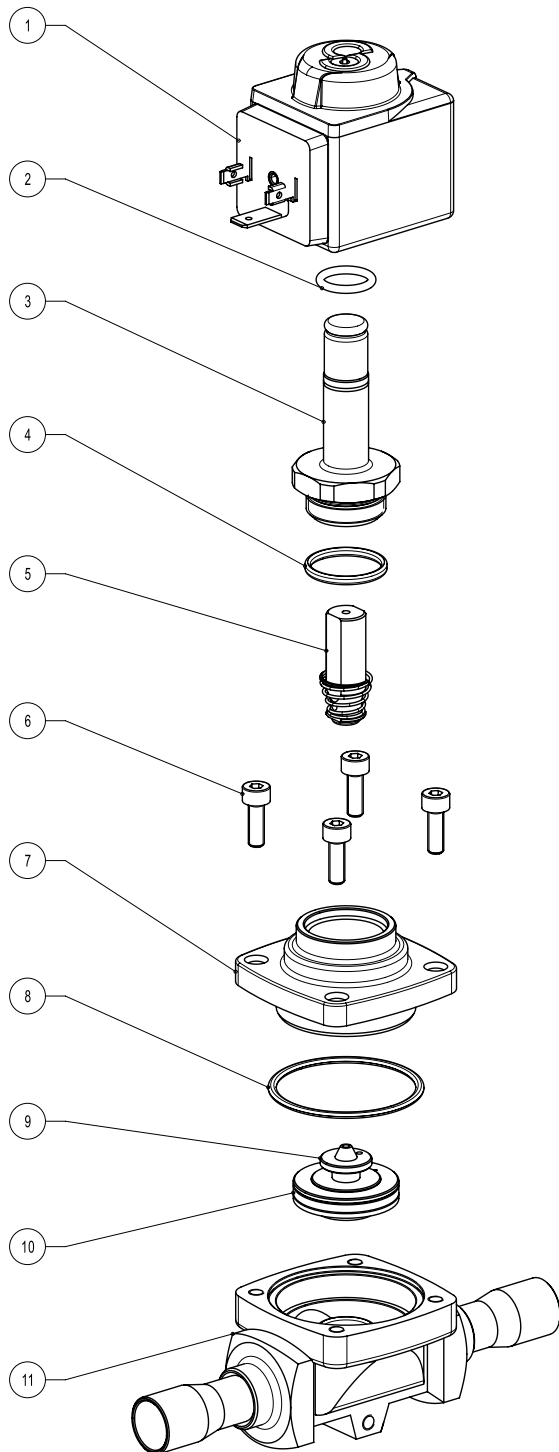
PWM SOLENOID VALVES
TYPE 1338N/.. (POLYHEDRA)



1)	COIL
2)	O-RING
3)	NUT + ARMATURE
4)	O-RING
5)	PLUNGER + SPRING
6)	PISTON
7)	BODY

FIG. 13

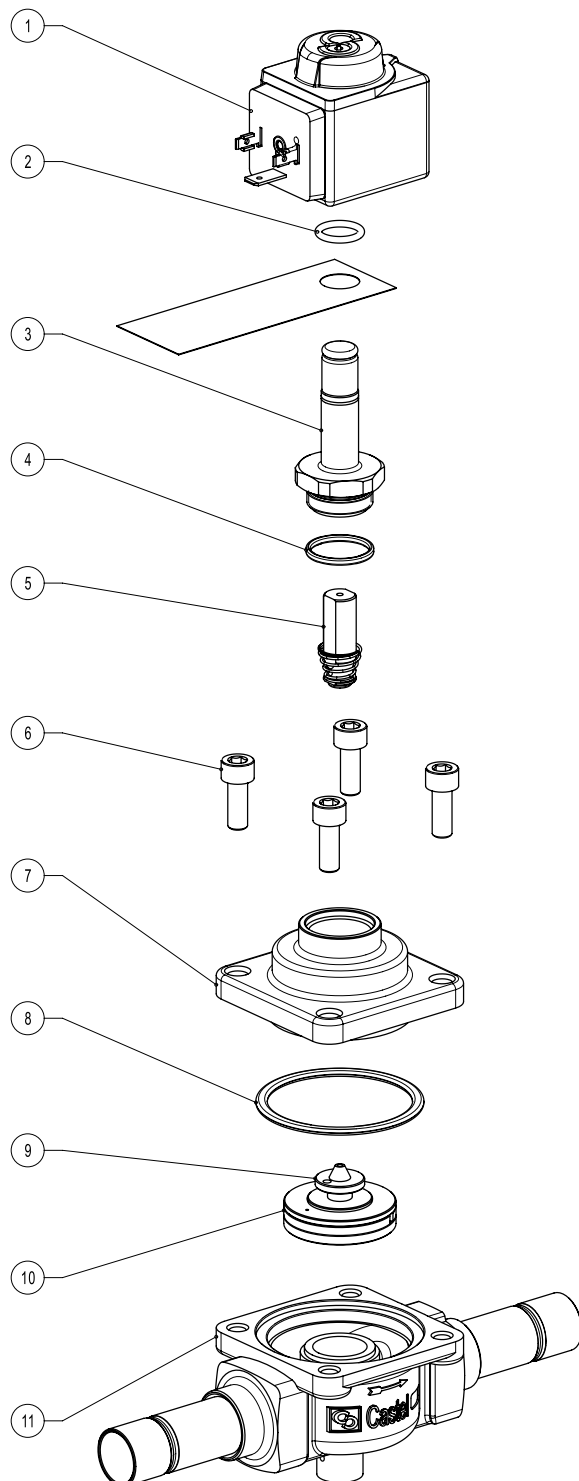
SOLENOID VALVES
TYPE 1348N/.. (POLYHEDRA)



1)	COIL
2)	O-RING
3)	NUT+ARMATURE
4)	O-RING
5)	PLUNGER+SPRING
6)	SCREW
7)	COVER
8)	O-RING
9)	PISTON
10)	PISTON RING
11)	BODY

FIG. 14

SOLENOID VALVES
TYPE 1358N/.. (POLYHEDRA)

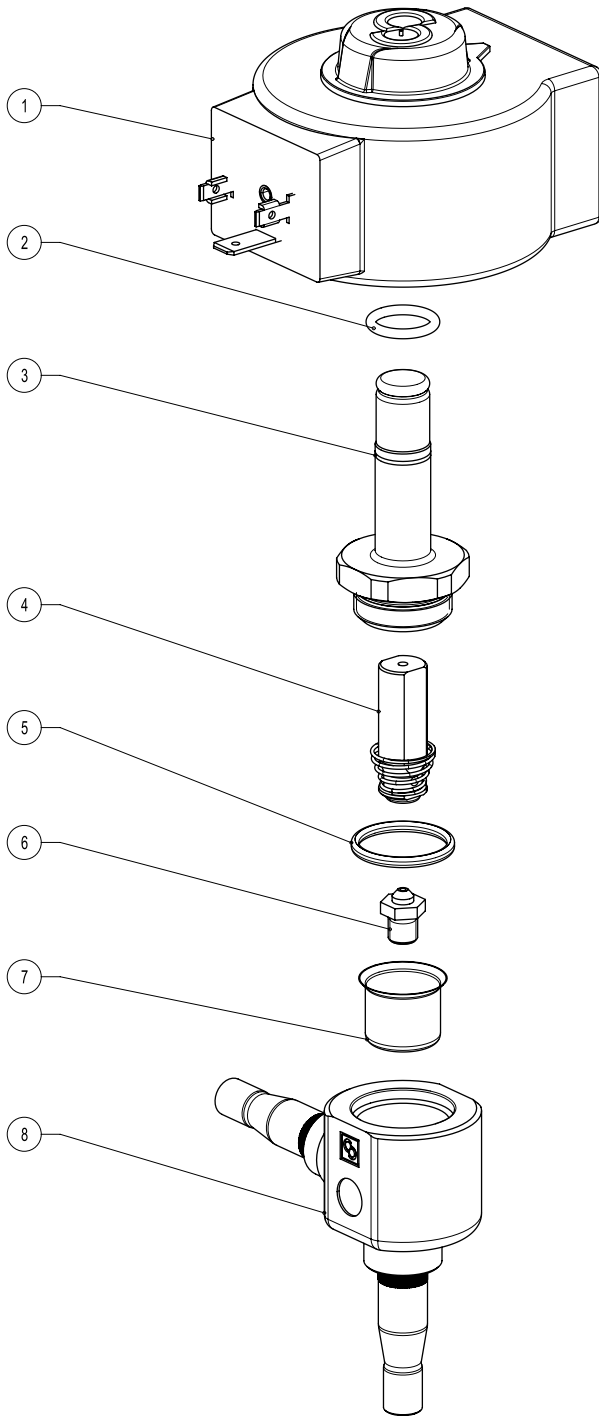


1)	COIL
2)	O-RING
3)	NUT+ARMATURE
4)	O-RING
5)	PLUNGER+SPRING
6)	SCREW
7)	COVER
8)	O-RING
9)	PISTON
10)	PISTON RING
11)	BODY

FIG. 15

SOLENOID VALVES

TYPE 1417E/.. – 1418E/.. (GO GREEN)



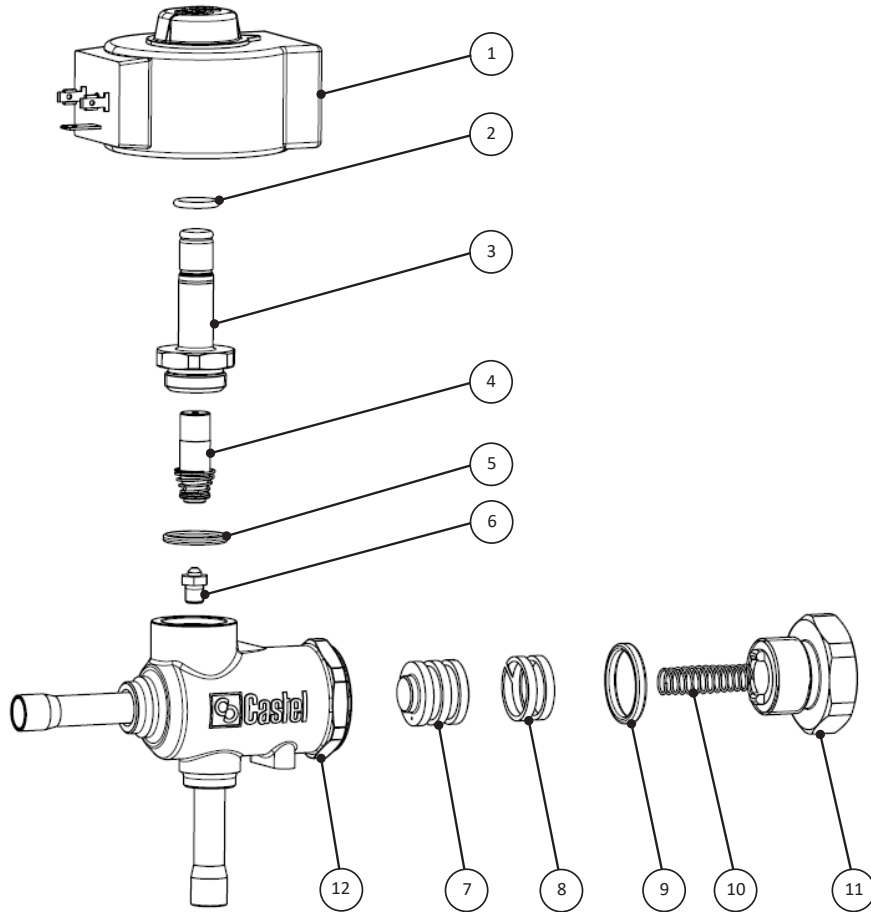
1)	COIL
2)	O-RING
3)	NUT+ARMATURE
4)	PLUNGER+SPRING
5)	O-RING
6)	ORIFICE
7)	FILTER
8)	BODY

FIG. 16

SOLENOID VALVES

TYPE 1427E/.. – 1428E/.. (GO GREEN)

1437E/.. – 1438E/.. (GO GREEN)



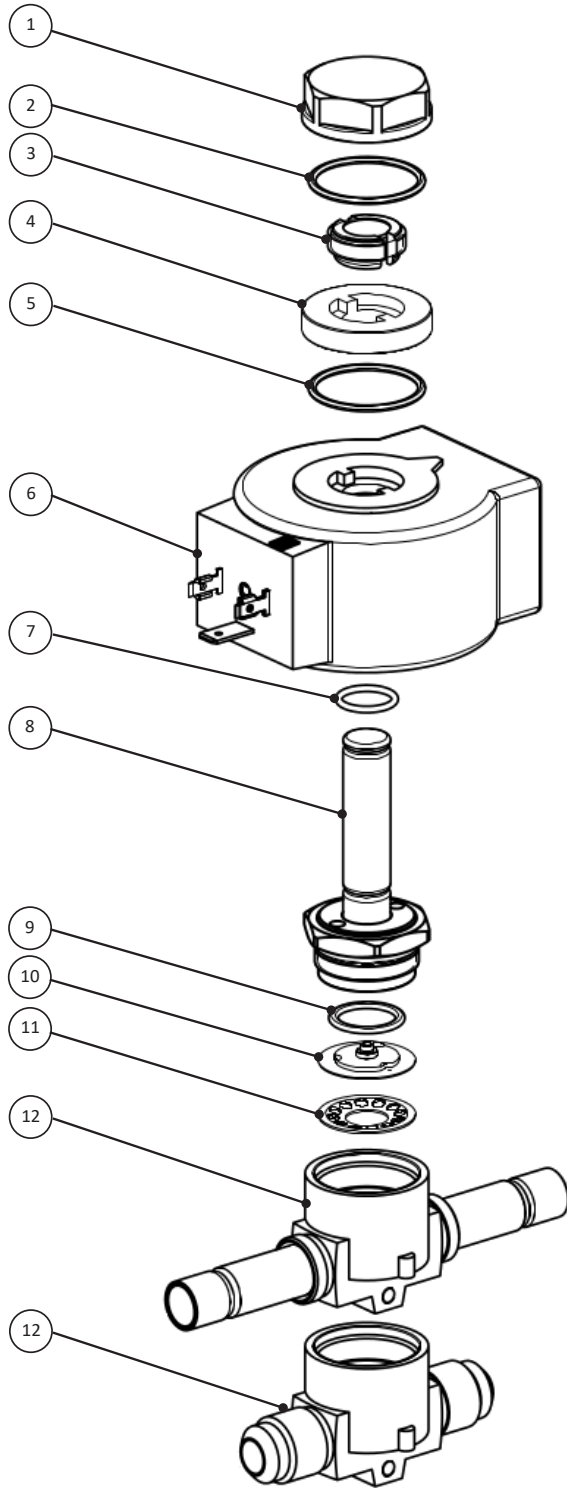
1)	COIL
2)	O-RING
3)	NUT + ARMATURE
4)	PLUNGER + SPRING
5)	O-RING
6)	ORIFICE
7)	PISTON
8)	PISTON RINGS
9)	O-RING
10)	SPRING
11)	CAP
12)	BODY

FIG. 17

SOLENOID VALVES

TYPE 1164/.. – 1168/.. (CLASSIC)

1164N/.. – 1168N/.. (POLYHEDRA)



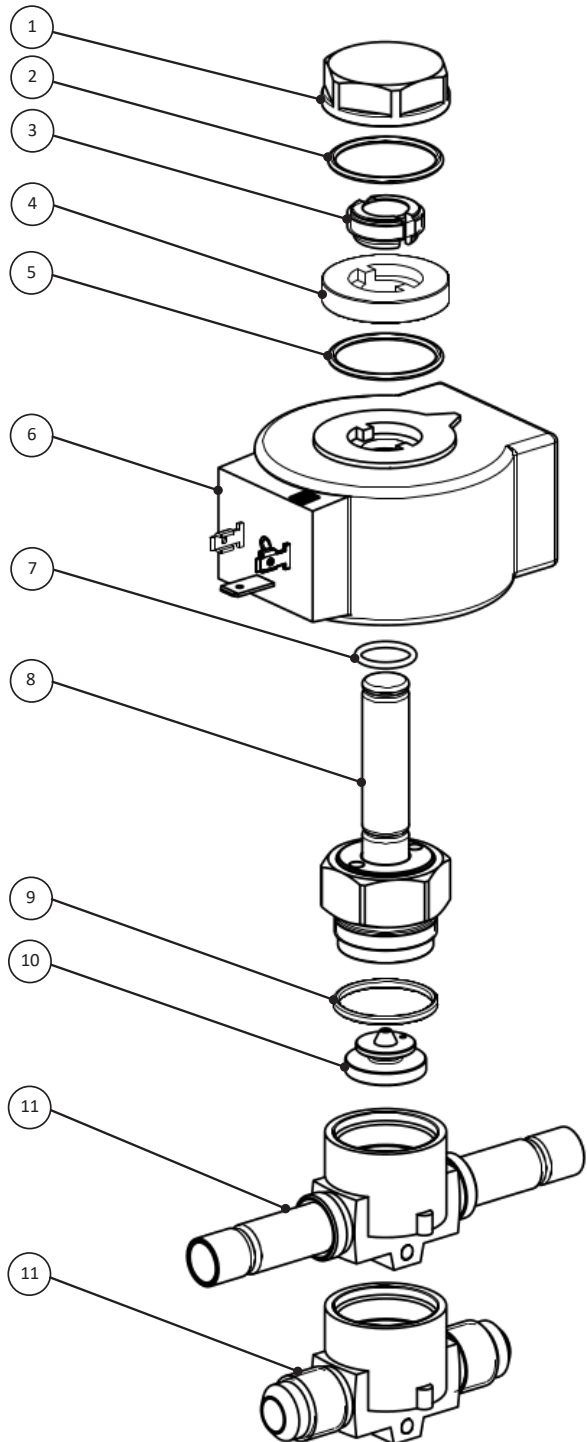
1)	LOCKING NUT
2)	O-RING
3)	SCREW
4)	SPACER
5)	O-RING
6)	COIL
7)	O-RING
8)	NUT + ARMATURE
9)	O-RING
10)	DIAPHRAGM
11)	DRILLED WASH
12)	BODY

FIG. 18

SOLENOID VALVES

TYPE 1134/.. – 1138N/.. (CLASSIC)

1134N/.. – 1138N/.. (POLYHEDRA)



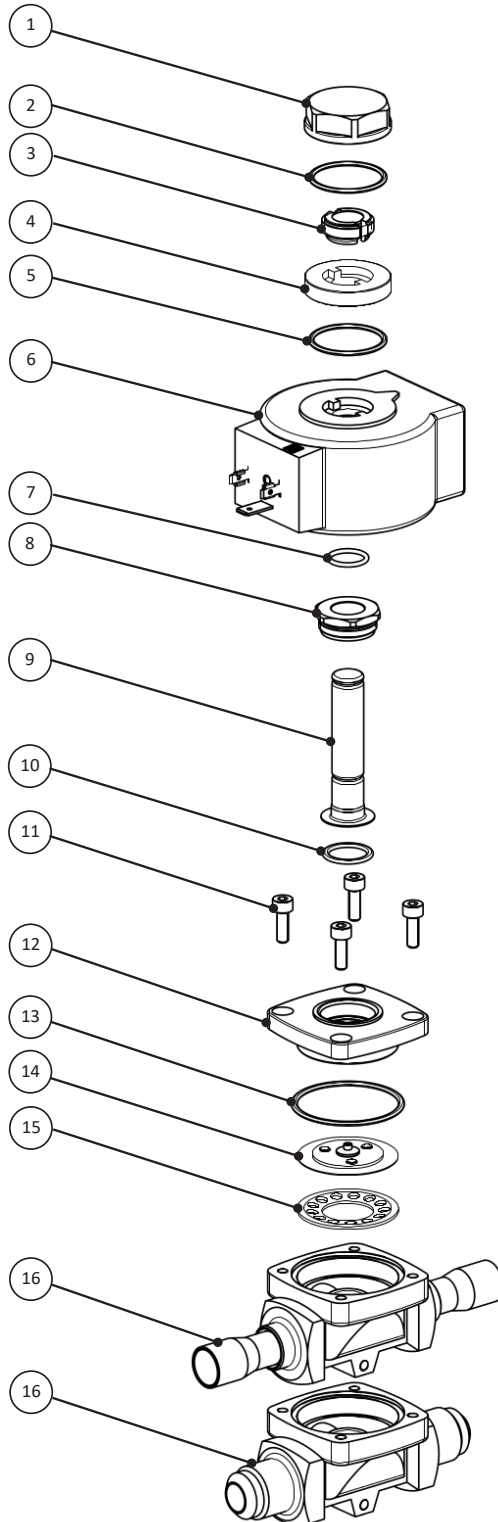
1)	LOCKING NUT
2)	O-RING
3)	SCREW
4)	SPACER
5)	O-RING
6)	COIL
7)	O-RING
8)	NUT + ARMATURE
9)	O-RING
10)	PISTON
11)	BODY

FIG. 19

SOLENOID VALVES

TYPE 1170/.. – 1178/.. (CLASSIC)

1170N/.. – 1178N/.. (POLYHEDRA)



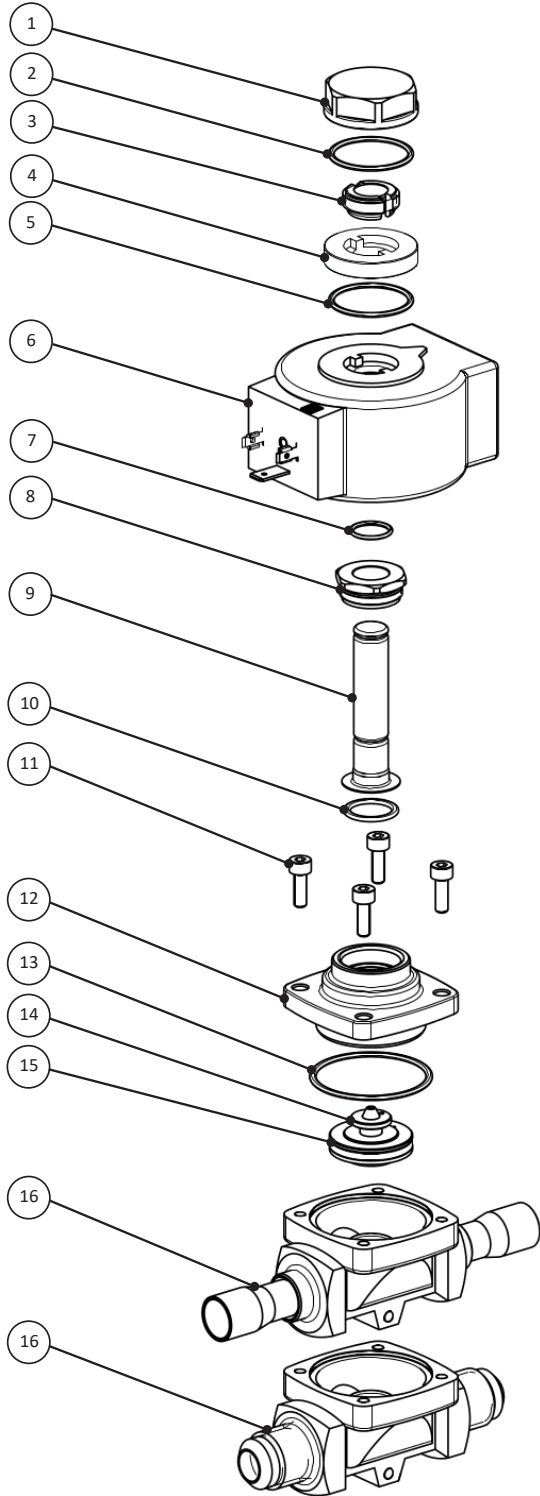
1)	LOCKING NUT
2)	O-RING
3)	SCREW
4)	SPACER
5)	O-RING
6)	COIL
7)	O-RING
8)	NUT
9)	ARMATURE
10)	O-RING
11)	SCREW
12)	COVER
13)	O-RING
14)	DIAPHRAGM
15)	DRILLED WASH
16)	BODY

FIG. 20

SOLENOID VALVES

TYPE 1140/.. – 1148N/.. (CLASSIC)

1140N/.. – 1148N/.. (POLYHEDRA)



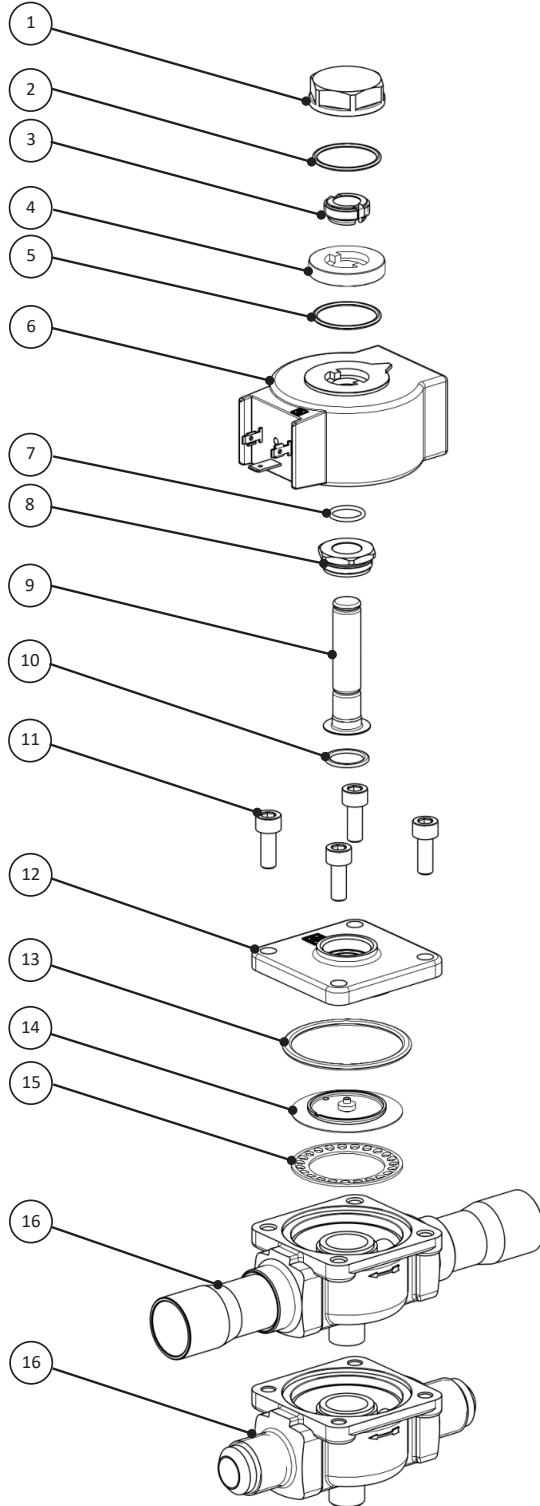
1)	LOCKING NUT
2)	O-RING
3)	SCREW
4)	SPACER
5)	O-RING
6)	COIL
7)	O-RING
8)	NUT
9)	ARMATURE
10)	O-RING
11)	SCREW
12)	COVER
13)	O-RING
14)	PISTON
15)	PISTON RING
16)	BODY

FIG. 21

SOLENOID VALVES

TYPE 1190/.. – 1198/.. (CLASSIC)

1190N/.. – 1198N/.. (POLYHEDRA)



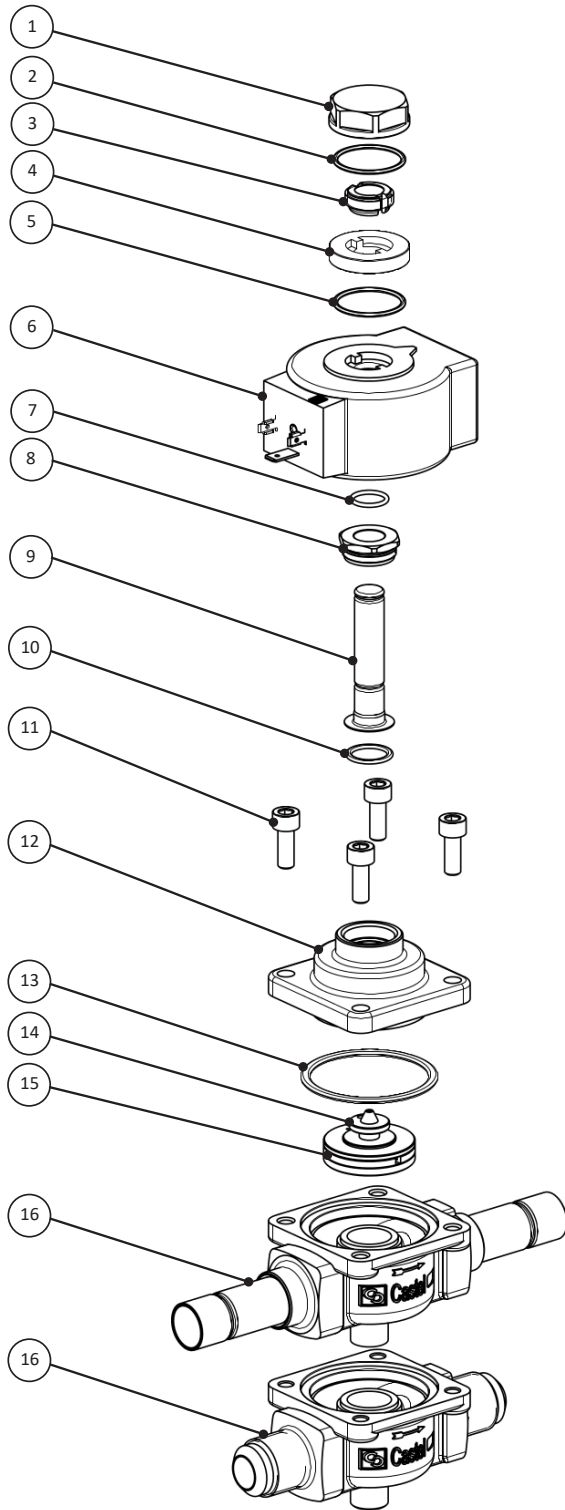
1)	LOCKING NUT
2)	O-RING
3)	SCREW
4)	SPACER
5)	O-RING
6)	COIL
7)	O-RING
8)	NUT
9)	ARMATURE
10)	O-RING
11)	SCREW
12)	COVER
13)	O-RING
14)	DIAPHRAGM
15)	DRILLED WASH
16)	BODY

FIG. 22

SOLENOID VALVES

TYPE 1150/.. – 1158N/.. (CLASSIC)

1150N/.. – 1158N/.. (POLYHEDRA)



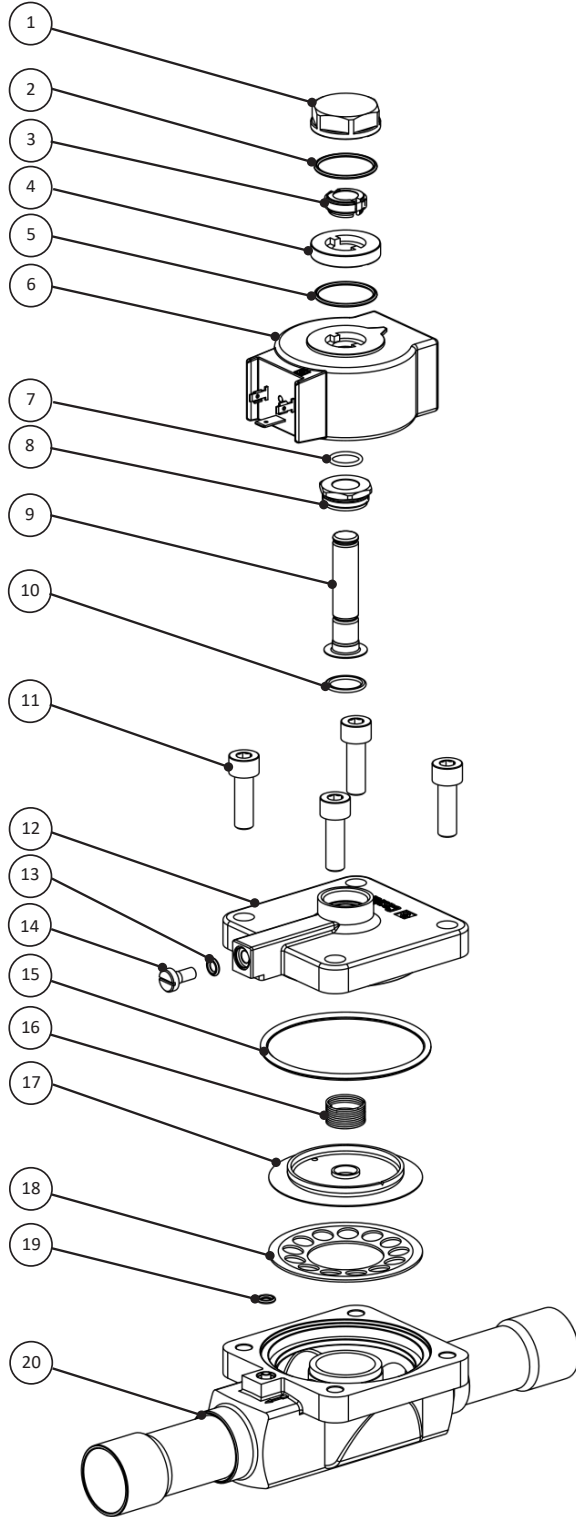
1)	LOCKING NUT
2)	O-RING
3)	SCREW
4)	SPACER
5)	O-RING
6)	COIL
7)	O-RING
8)	NUT
9)	ARMATURE
10)	O-RING
11)	SCREW
12)	COVER
13)	O-RING
14)	PISTON
15)	PISTON RING
16)	BODY

FIG. 23

SOLENOID VALVES

TYPE 1178/9 (CLASSIC)

1178N/9 (POLYHEDRA)



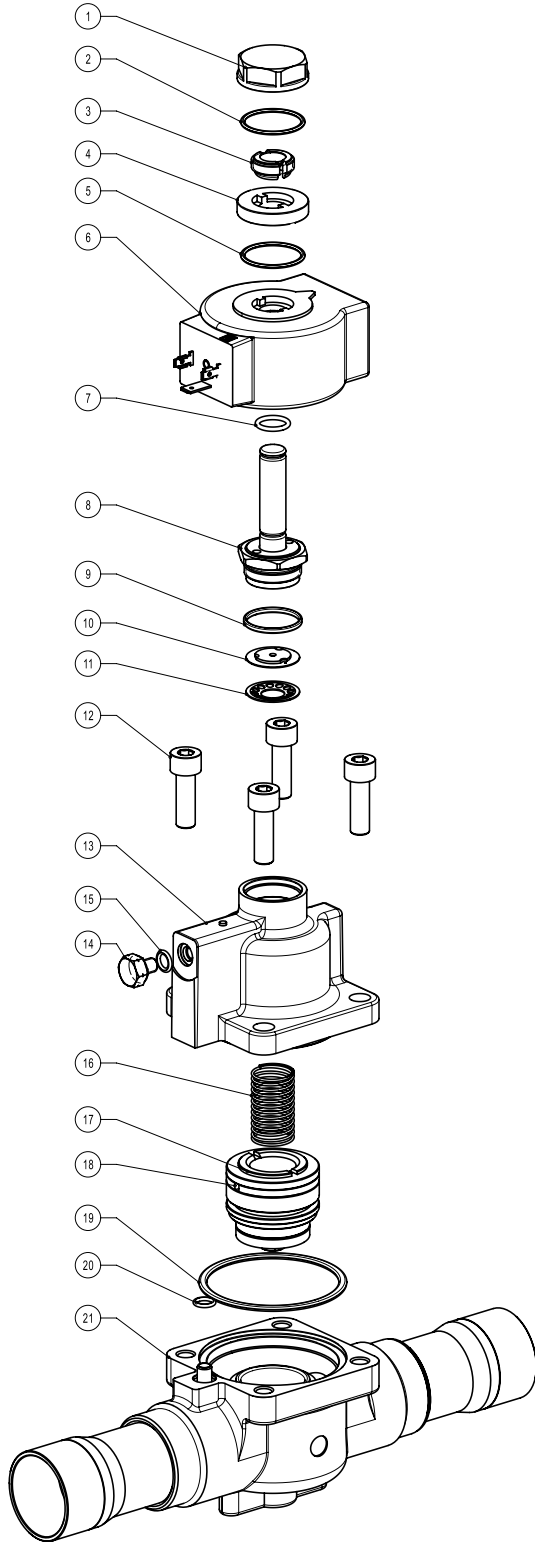
1)	LOCKING NUT
2)	O-RING
3)	SCREW
4)	SPACER
5)	O-RING
6)	COIL
7)	O-RING
8)	NUT
9)	ARMATURE
10)	O-RING
11)	SCREW
12)	COVER
13)	O-RING
14)	DIAPHRAGM
15)	DRILLED WASH
16)	BODY

FIG. 24

SOLENOID VALVES

TYPE 1178/.. – 1198/.. (CLASSIC)

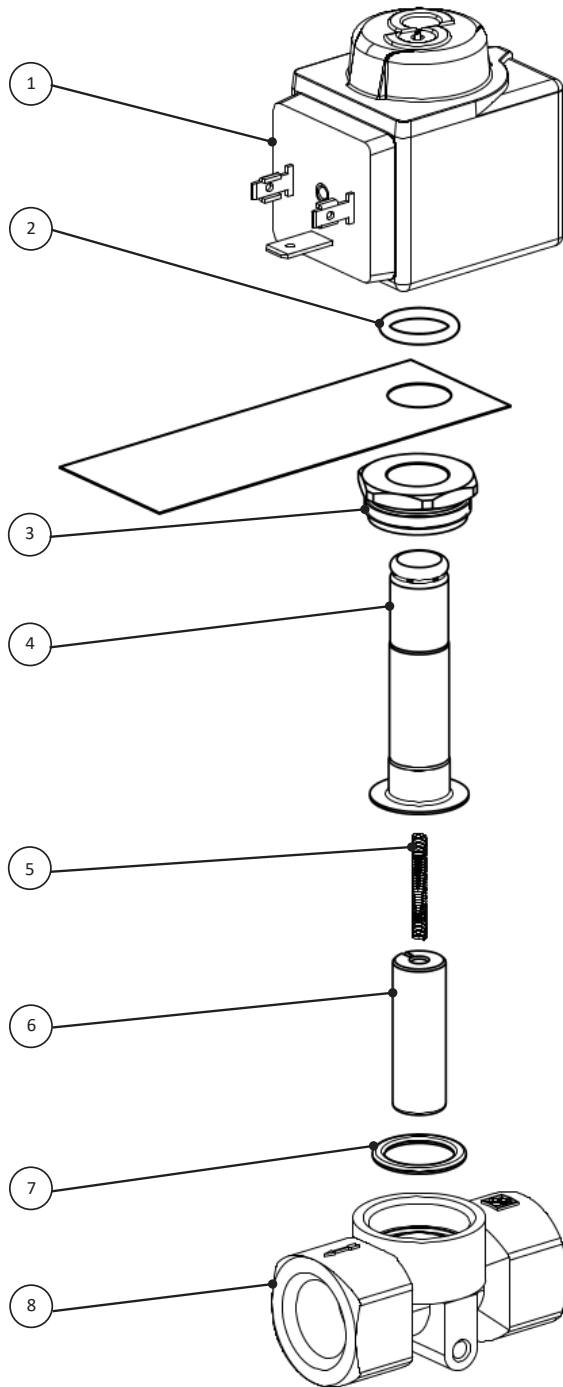
1198/.. – 1178NW/.. (POLYHEDRA)



1)	LOCKING NUT
2)	O-RING
3)	SCREW
4)	SPACER
5)	O-RING
6)	COIL
7)	O-RING
8)	NUT+ ARMATURE
9)	O-RING
10)	DIAPHRAGM
11)	DRILLED WASH
12)	SCREW
13)	COVER
14)	SCREW
15)	O-RING
16)	SPRING
17)	PISTON
18)	PISTON RING
19)	O-RING
20)	O-RING
21)	BODY

FIG. 25

SOLENOID VALVES
TYPE 1512/.. – 1522/.. (CLASSIC)

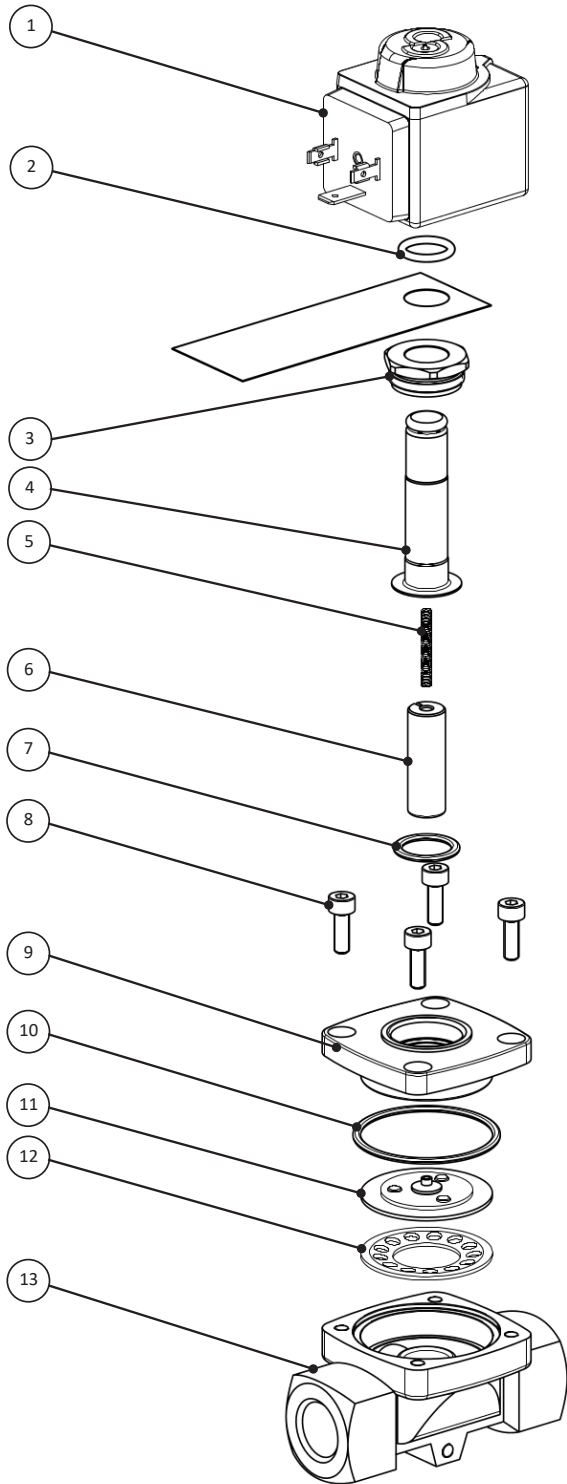


1)	COIL
2)	O-RING
3)	NUT
4)	ARMATURE
5)	SPRING
6)	PLUNGER
7)	O-RING
8)	BODY

FIG. 26

SOLENOID VALVES

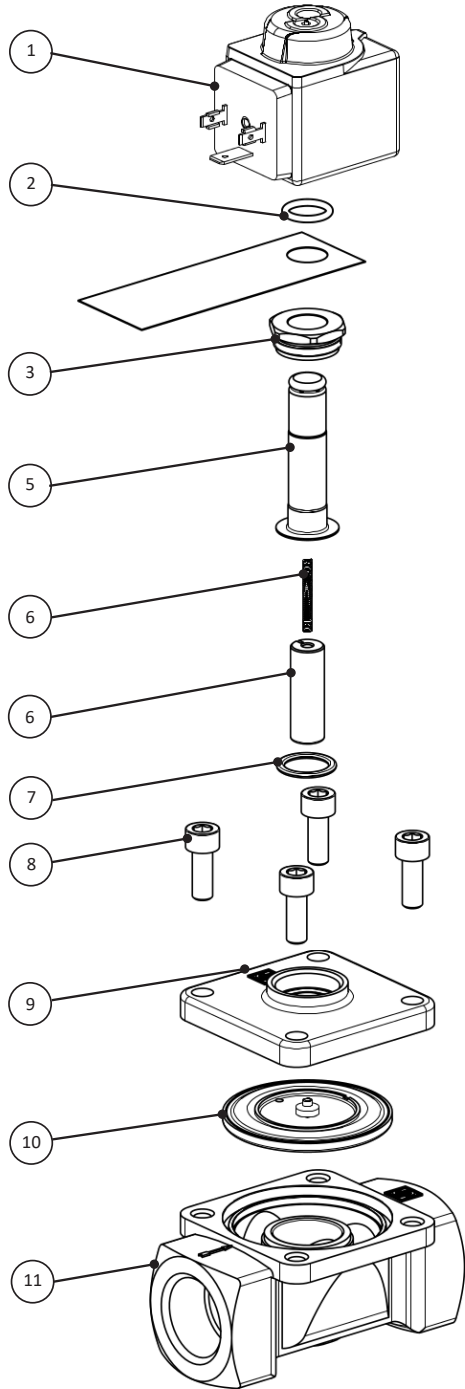
TYPE 1132/03 – 1132/04 (CLASSIC)



1)	COIL
2)	O-RING
3)	NUT
4)	ARMATURE
5)	SPRING
6)	PLUNGER
7)	O-RING
8)	SCREW
9)	COVER
10)	O-RING
11)	DIAPHRAGM
12)	DRILLED WASH
13)	BODY

FIG. 27

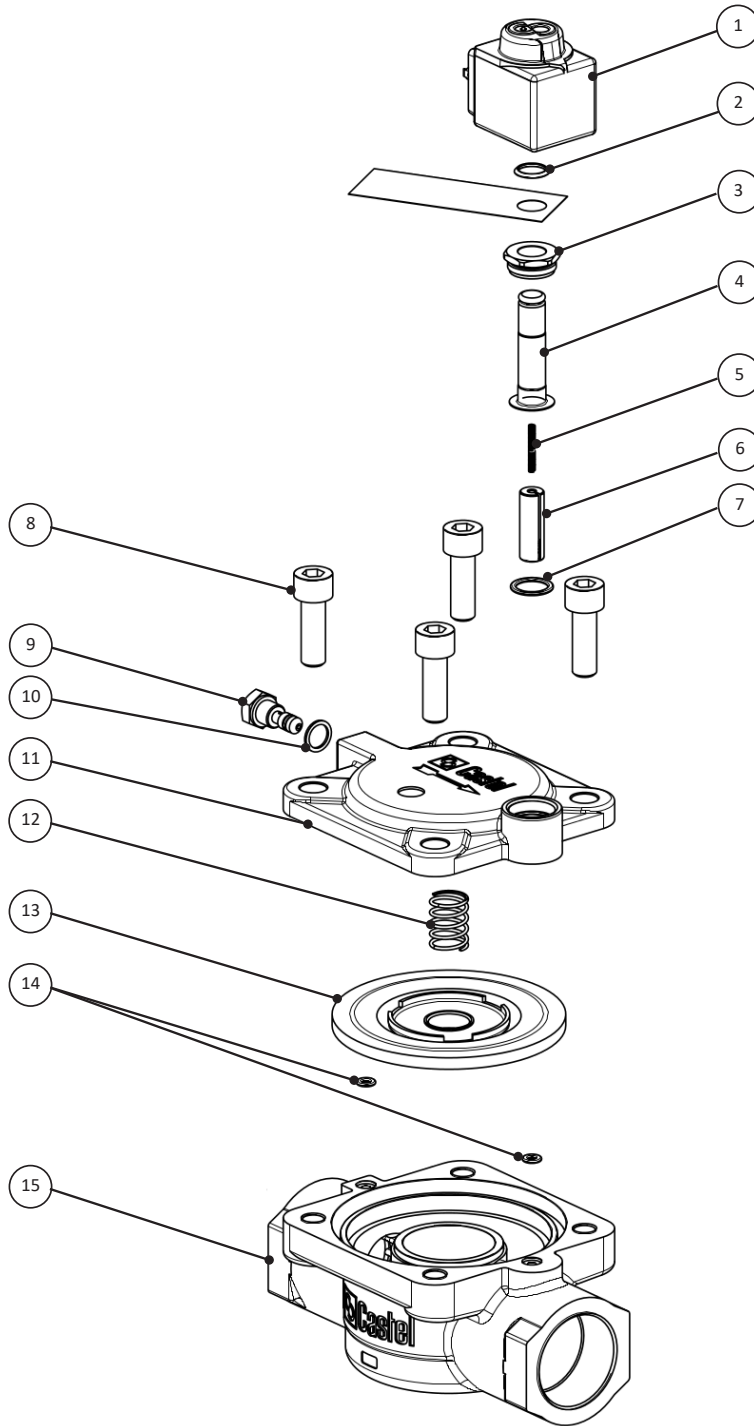
SOLENOID VALVES
 TYPE 1132/06.. – 1132/08 (CLASSIC)



1)	COIL
2)	O-RING
3)	NUT
4)	ARMATURE
5)	SPRING
6)	PLUNGER
7)	O-RING
8)	SCREW
9)	COVER
10)	DIAPHRAGM
11)	BODY

FIG. 28

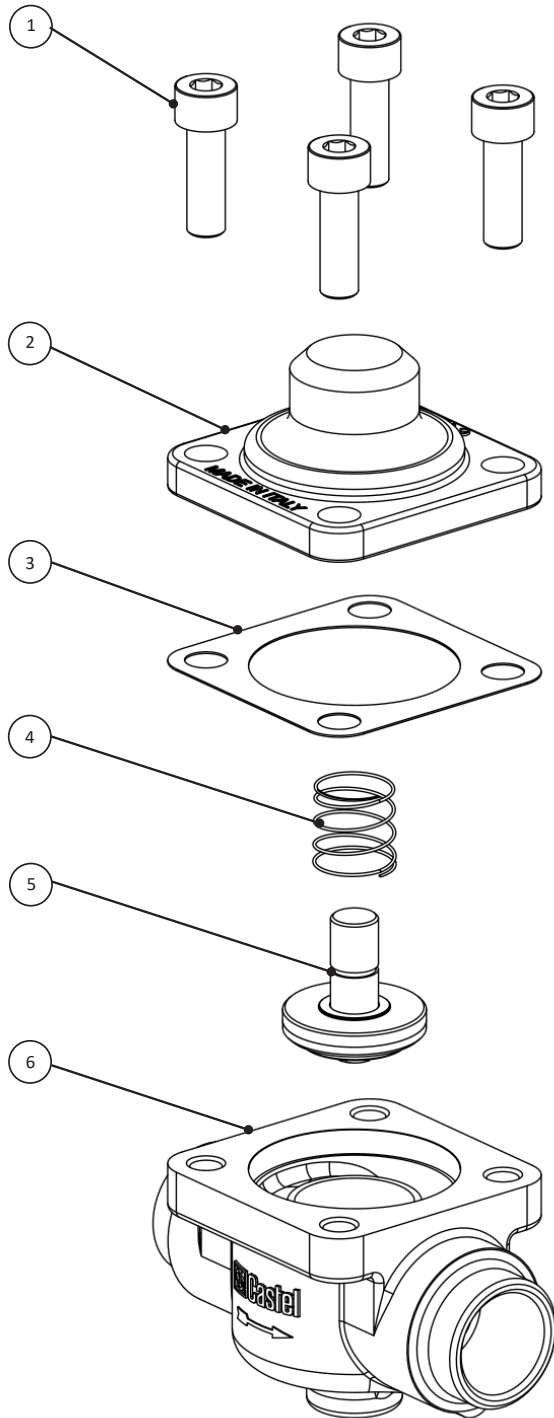
SOLENOID VALVES
TYPE 1142/..(CLASSIC)



1)	COIL
2)	O-RING
3)	NUT
4)	ARMATURE
5)	SPRING
6)	PLUNGER
7)	O-RING
8)	SCREW
9)	PILOT
10)	O-RING
11)	COVER
12)	SPRING
13)	DIAPHRAGM
14)	O-RING
15)	BODY

FIG. 29

CHECK VALVES
TYPE 3122/..(CLASSIC)

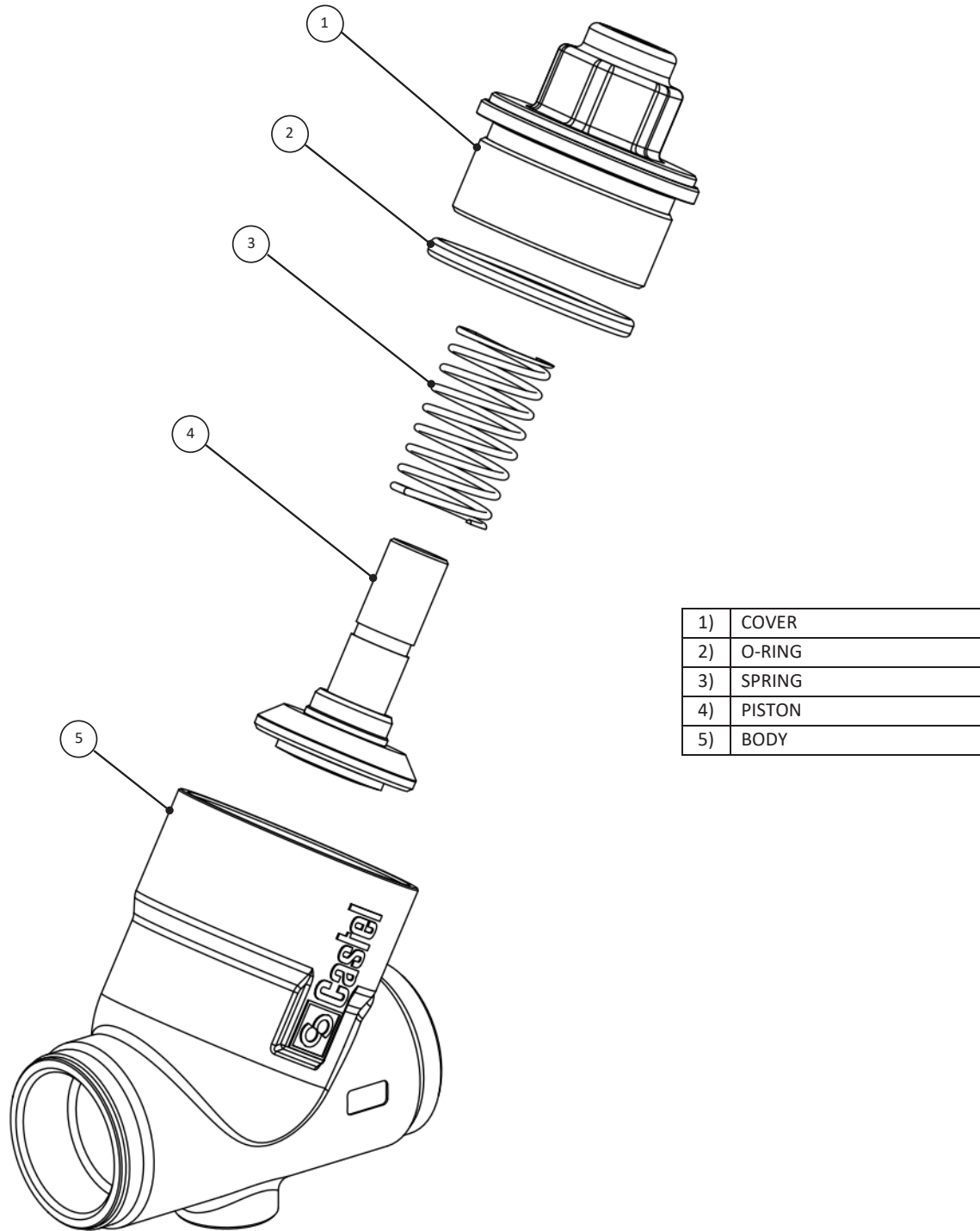


1)	SCREW
2)	COVER
3)	GASKET
4)	SPRING
5)	PISTON
6)	BODY

FIG. 30

CHECK VALVES

TYPE 3124N/.. – 3125N/.. (POLYHEDRA)



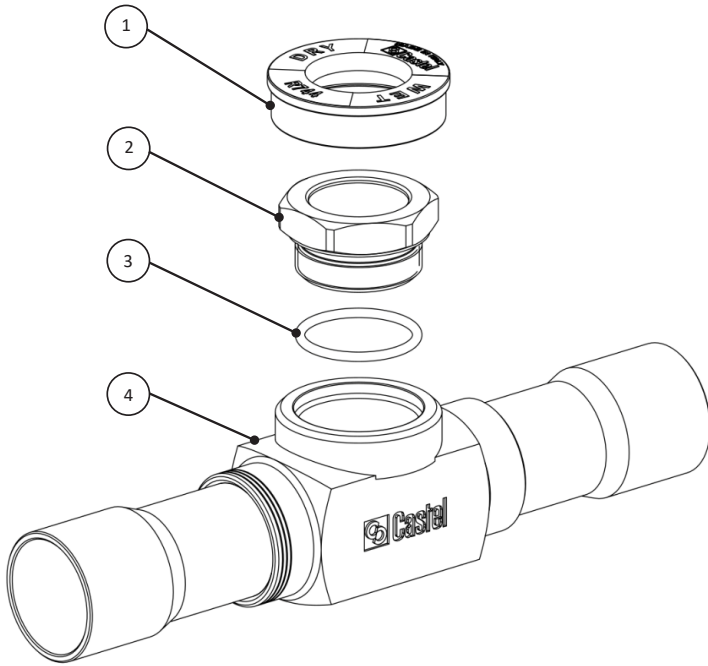
1)	COVER
2)	O-RING
3)	SPRING
4)	PISTON
5)	BODY

FIG. 31

MOISTURE INDICATORS

TYPE 3620/.. (CLASSIC)

3740E/.. – 3747E/.. – 3748E/.. (GO GREEN)



TYPE 3770/.. – 3771/.. (CLASSIC)

3780/.. – 3781/.. (CLASSIC)

3780N/.. (POLYHEDRA)

3777E/.. – 3778E/.. (GO GREEN)

1)	PROTECTION CAP
2)	NUT
3)	O-RING
4)	BODY

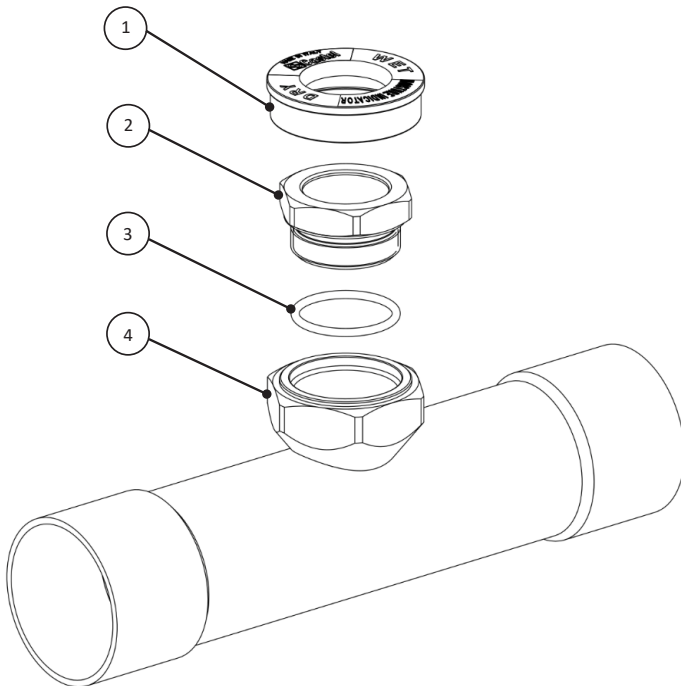
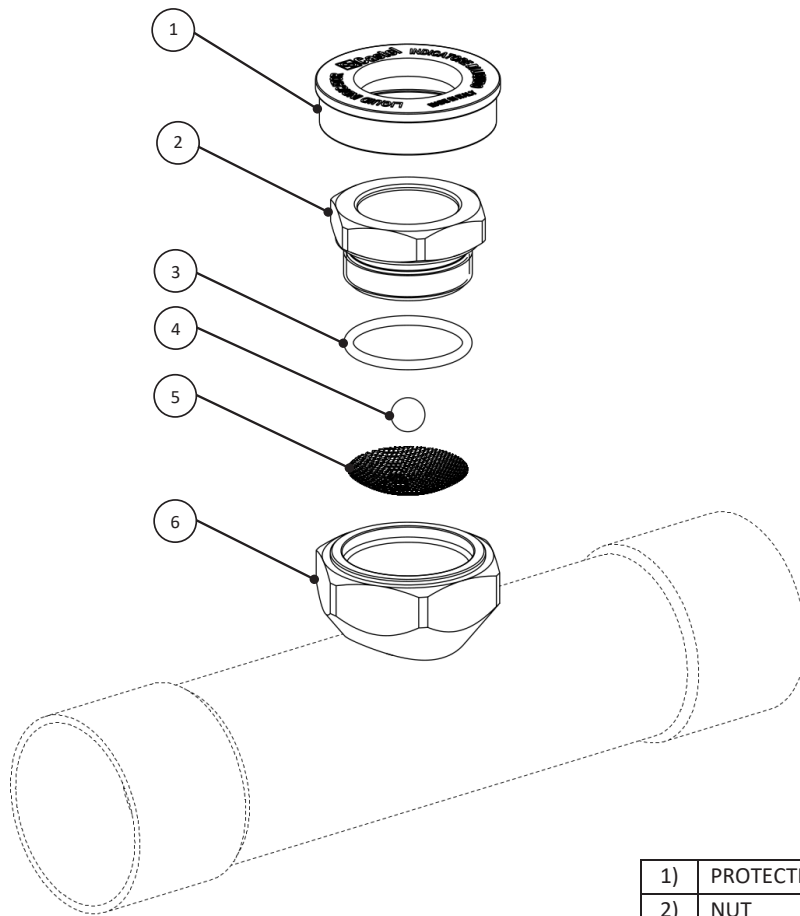


FIG. 32

LIQUID INDICATORS
TYPE 3680/.. (POLYHEDRA)



1)	PROTECTION CAP
2)	NUT
3)	O-RING
4)	BALL
5)	MESH
6)	BODY

FIG. 33

FILTER-INDICATORS

TYPE 41../.. (CLASSIC)

41..N../.., DI3..N../.. (POLYHEDRA)

DI3..E../.. (GOGREEN)

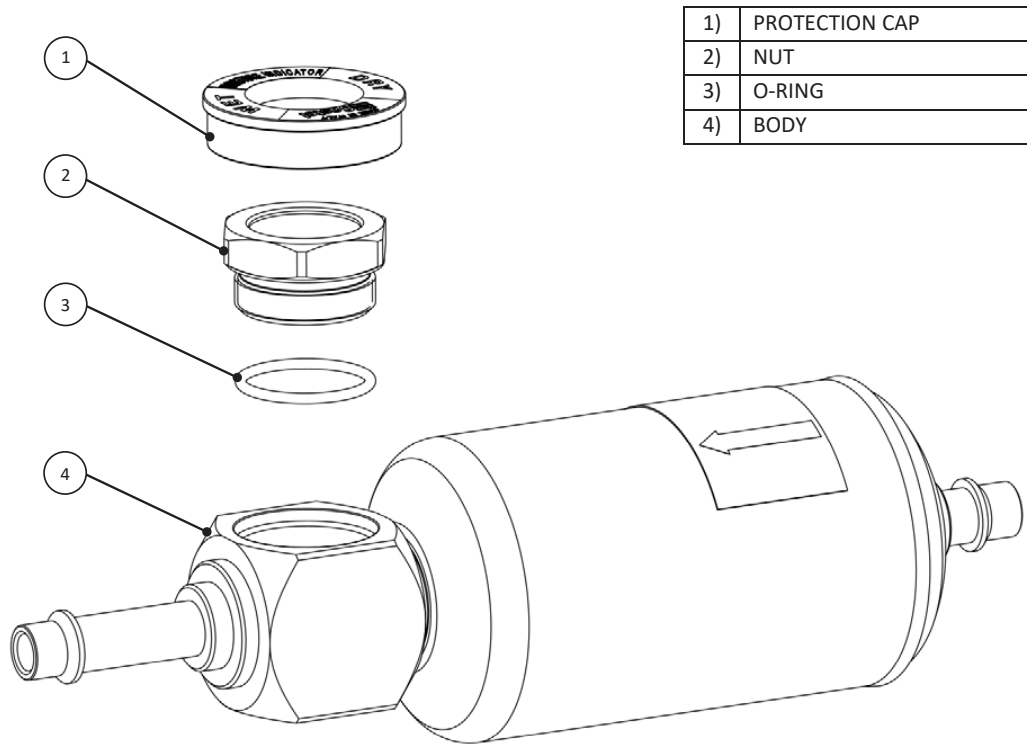


FIG. 34

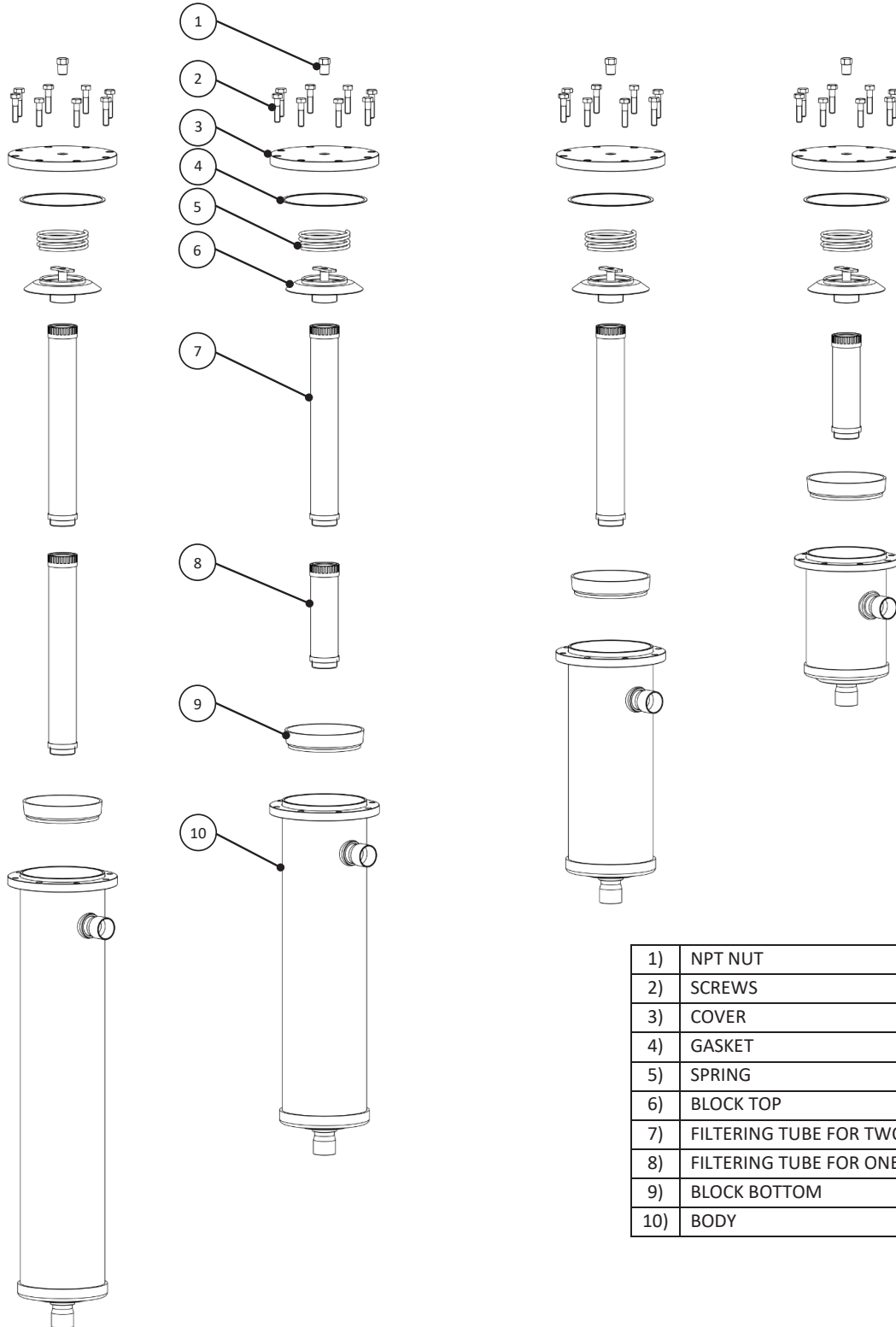
FILTER DRIERS

TYPE 4411/..A – 4412/..A – 4413/..A – 4414/..A (CLASSIC)

SF411/..A – SF412/..A – SF413/..A – SF414/..A (CLASSIC)

4411/..AF – 4412/..AF – 4413/..AF – 4414/..AF (POLYHEDRA)

4411E/..AF – 4412E/..AF – 4431E/..AF – 4432E/..AF (GO GREEN)

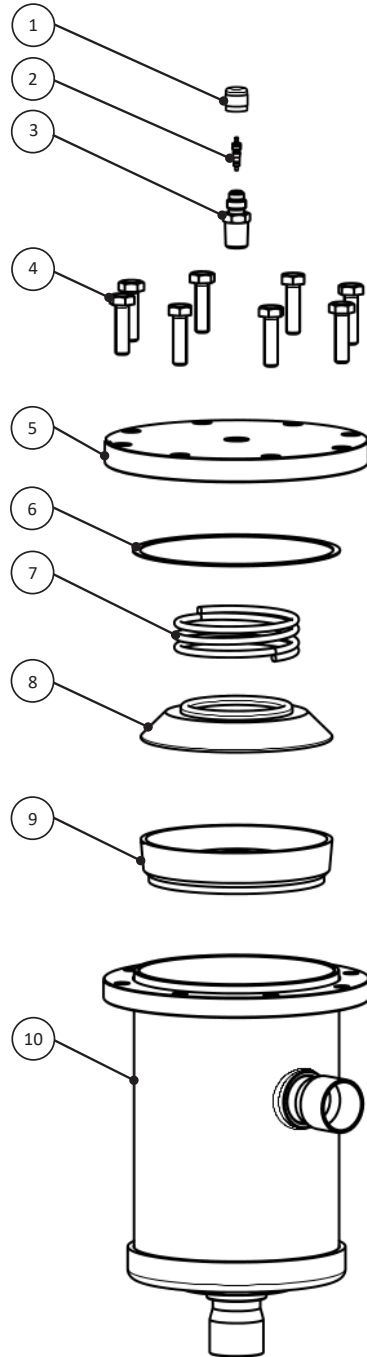


1)	NPT NUT
2)	SCREWS
3)	COVER
4)	GASKET
5)	SPRING
6)	BLOCK TOP
7)	FILTERING TUBE FOR TWO BLOCKS
8)	FILTERING TUBE FOR ONE BLOCK
9)	BLOCK BOTTOM
10)	BODY

FIG. 35

MECHANICAL FILTERS

- TYPE 4411/..C (CLASSIC)
- 4421/..C (CLASSIC)
- SF411/..C (CLASSIC)
- 4411/..CF (POLYHEDRA)

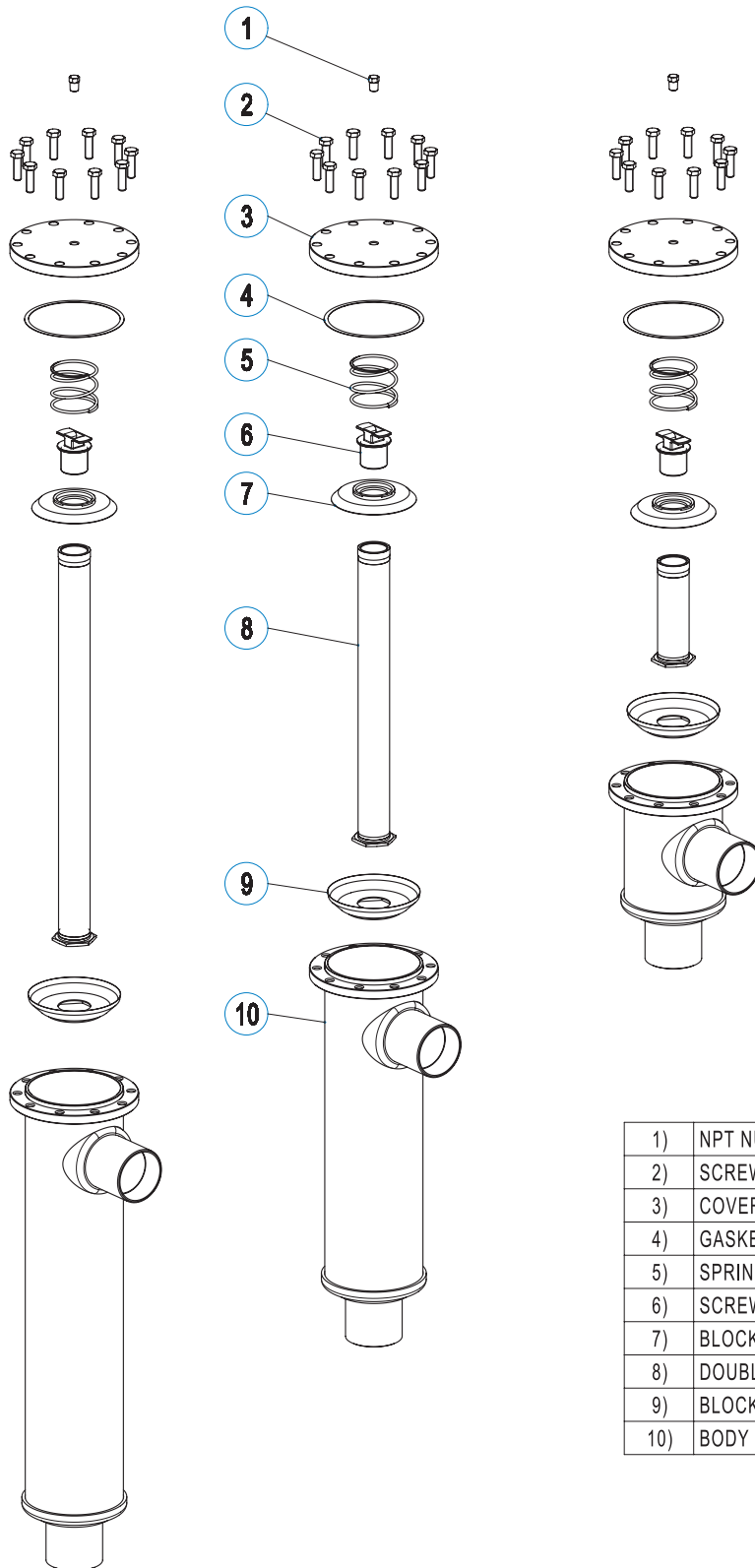


1)	CAP WITH GASKET
2)	VALVE CORE
3)	ACCESS FITTING
4)	SCREWS
5)	COVER
6)	GASKET
7)	SPRING
8)	BLOCK TOP
9)	BLOCK BOTTOM
10)	BODY

FIG. 36

FILTER DRIERS

TYPE 4421/..A – 4423/..A – 4424/..A (CLASSIC)

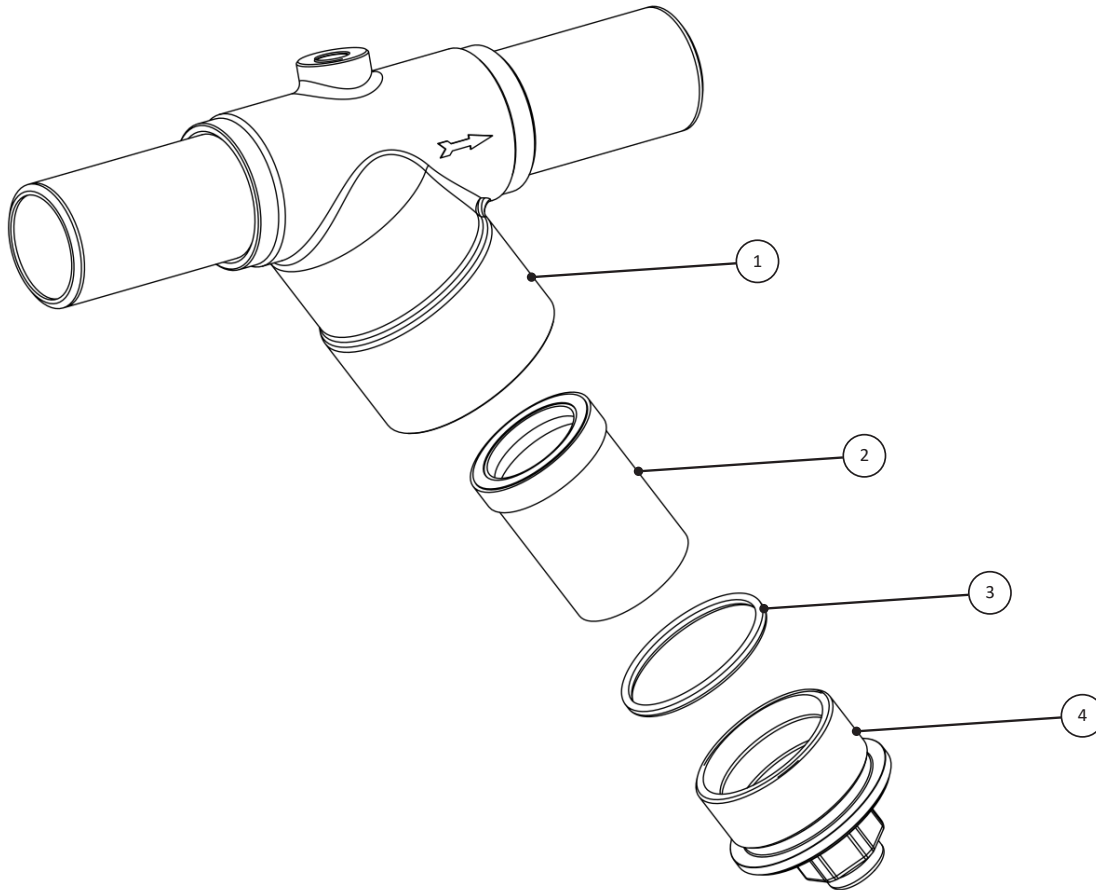


1)	NPT NUT
2)	SCREWS
3)	COVER
4)	GASKET
5)	SPRING
6)	SCREW
7)	BLOCK TOP
8)	DOUBLE FILTERING TUBE
9)	BLOCK BOTTOM
10)	BODY

FIG. 37

STRAINERS

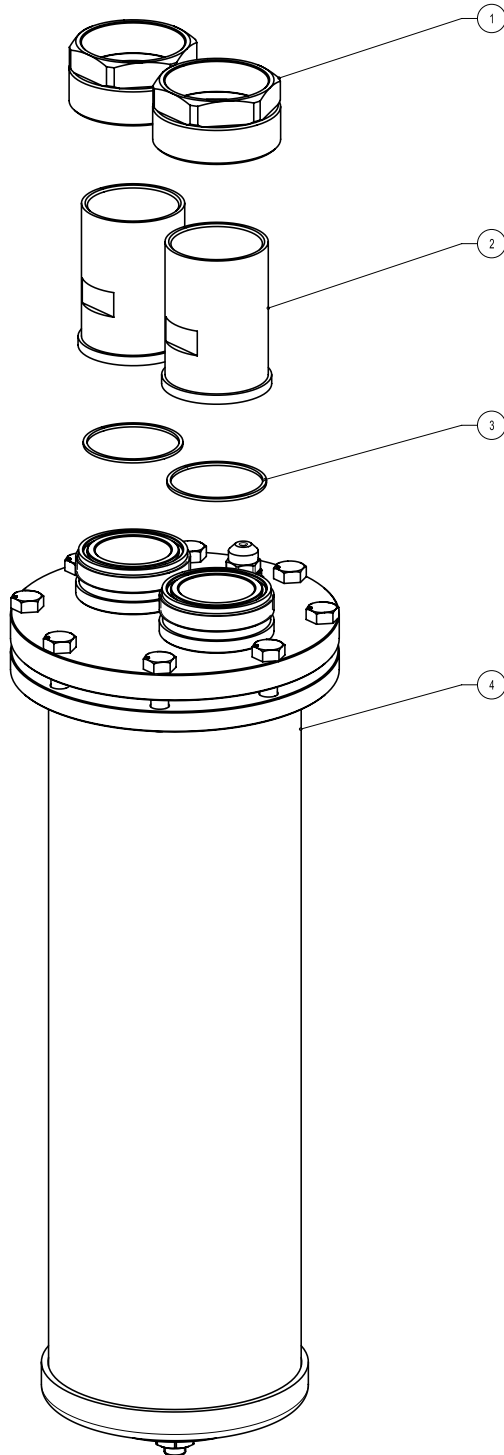
TYPE 4720/.. (CLASSIC)
4720N/.. (POLYHEDRA)
4727E/.. – 4728E/.. (GO GREEN)



1)	BODY
2)	FILTER
3)	O-RING
4)	COVER

FIG. 38

OIL SEPARATORS
TYPE 5520/.. (CLASSIC)

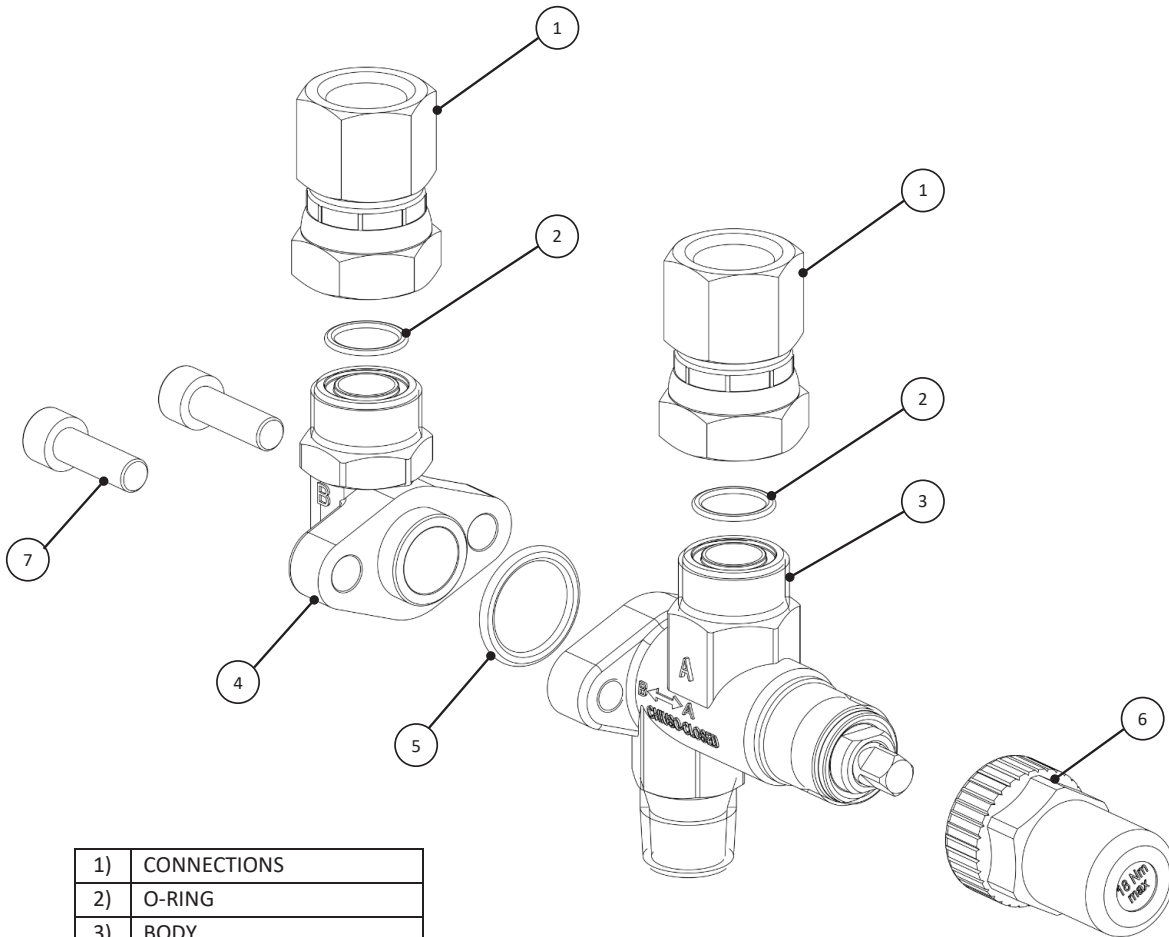


1)	NUTS
2)	CONNECTIONS
3)	GASKETS
4)	OIL SEPARATOR

FIG. 39

CHANGEOVER VALVES

TYPE 3032/32 – 33 – 44 (CLASSIC)
 3032N/32 – 33 – 44 (POLYHEDRA)
 3032E/32 – 33 – 44 (GO GREEN)



1)	CONNECTIONS
2)	O-RING
3)	BODY
4)	ELBOW
5)	O-RING
6)	CAP
7)	SCREWS

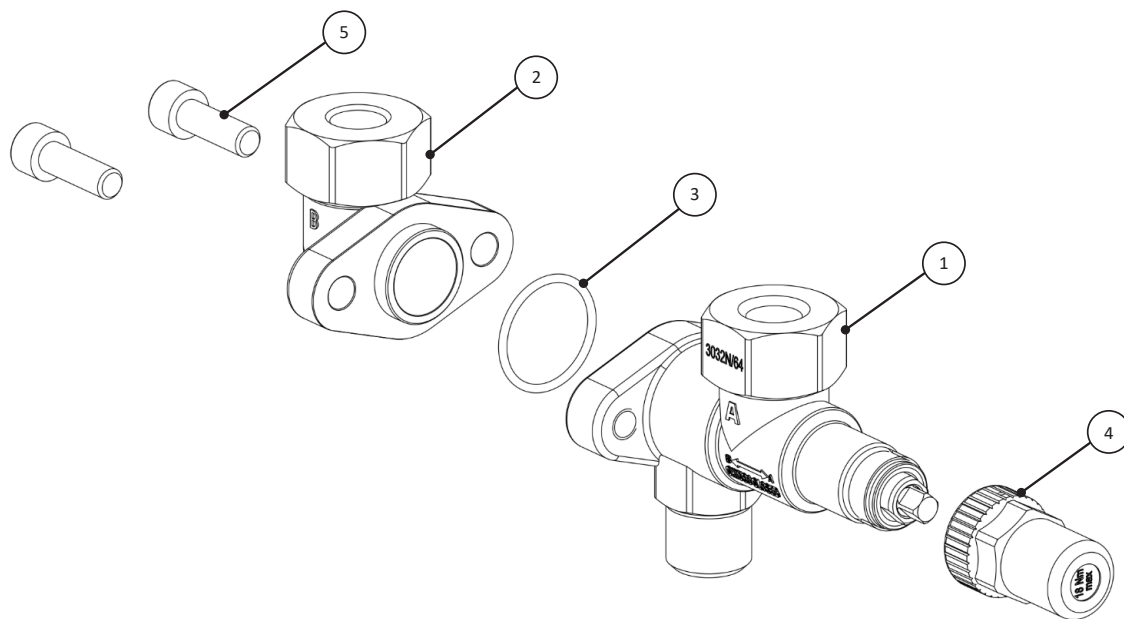
FIG. 40

CHANGEOVER VALVES

TYPE 3032/64 – 66 – 88 – 108 (CLASSIC)

3032N/64 – 66 (POLYHEDRA)

3032E/64 – 64L – 66 – 66L – 88 – 108 (GO GREEN)

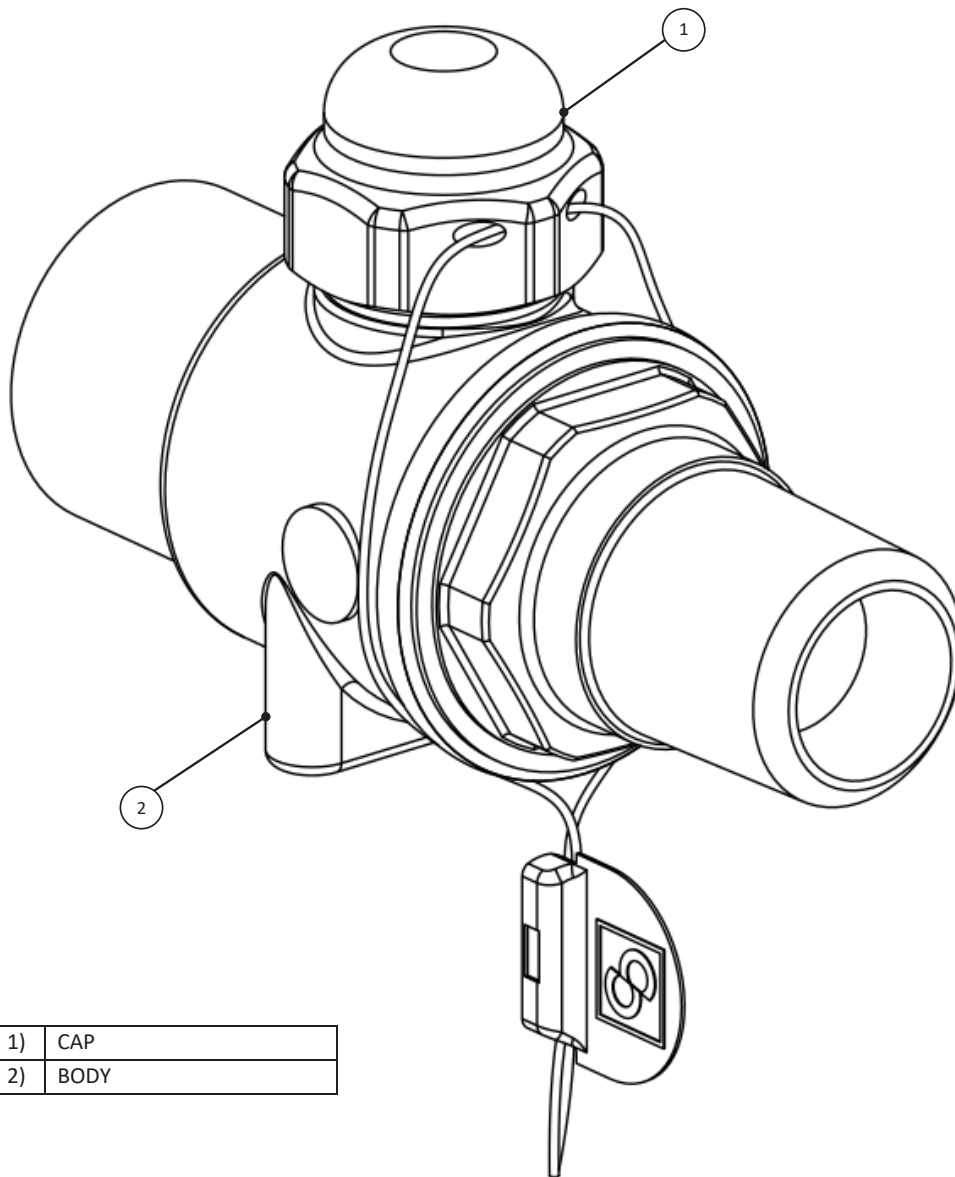


1)	BODY
2)	ELBOW
3)	O-RING
4)	CAP
5)	SCREWS

FIG. 41

SHUT-OFF VALVES

TYPE 3064/.. (CLASSIC)
3064N/.. (POLYHEDRA)
3064E/.. (GO GREEN)

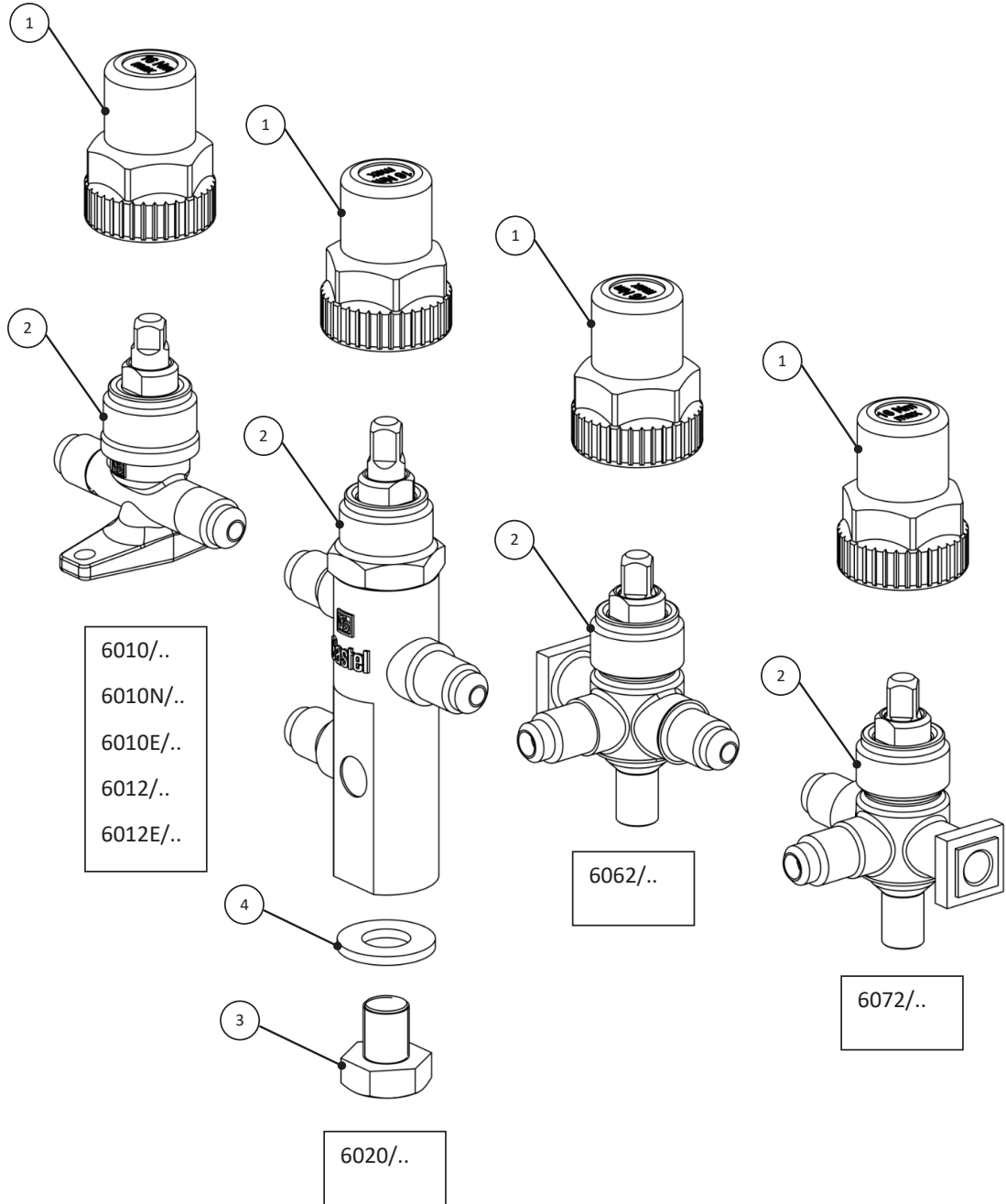


1)	CAP
2)	BODY

FIG. 42

HERMETIC VALVES

TYPE 6010/.. – 6012/.. – 6020/.. – 6062/.. – 6072/.. (CLASSIC)
 6010N/.. (POLYHEDRA)
 6010E/.. – 6012E/.. (GO GREEN)



1)	CAP
2)	BODY / VALVE
3)	SCREW
4)	SPRING WASHER

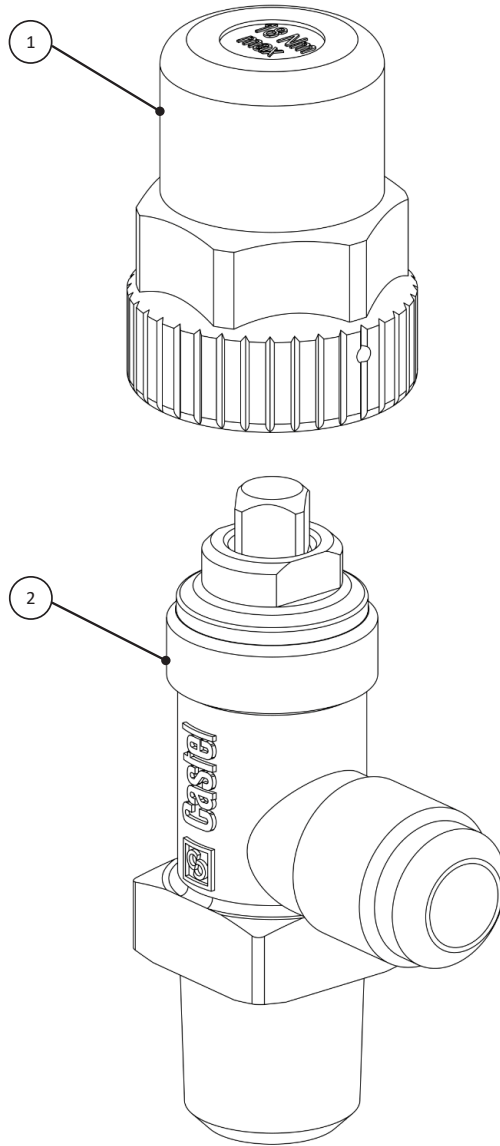
FIG. 43

RECEIVER VALVES

TYPE 6110/.. – 6120/.. (CLASSIC)

6110N/.. (POLYHEDRA)

6110E/.. – 6120E/.. (GO GREEN)

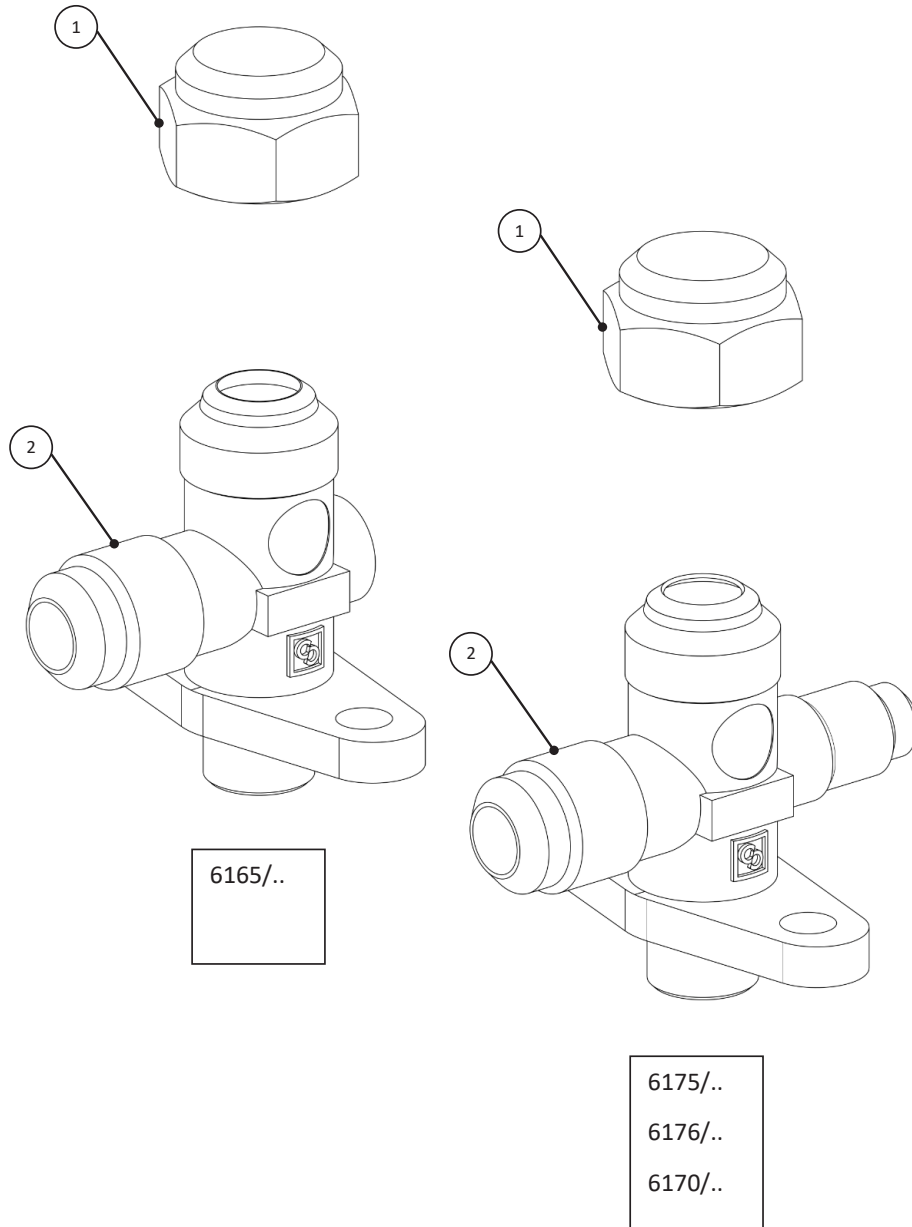


1)	CAP
2)	BODY/VALVE

FIG. 44

STOP VALVES

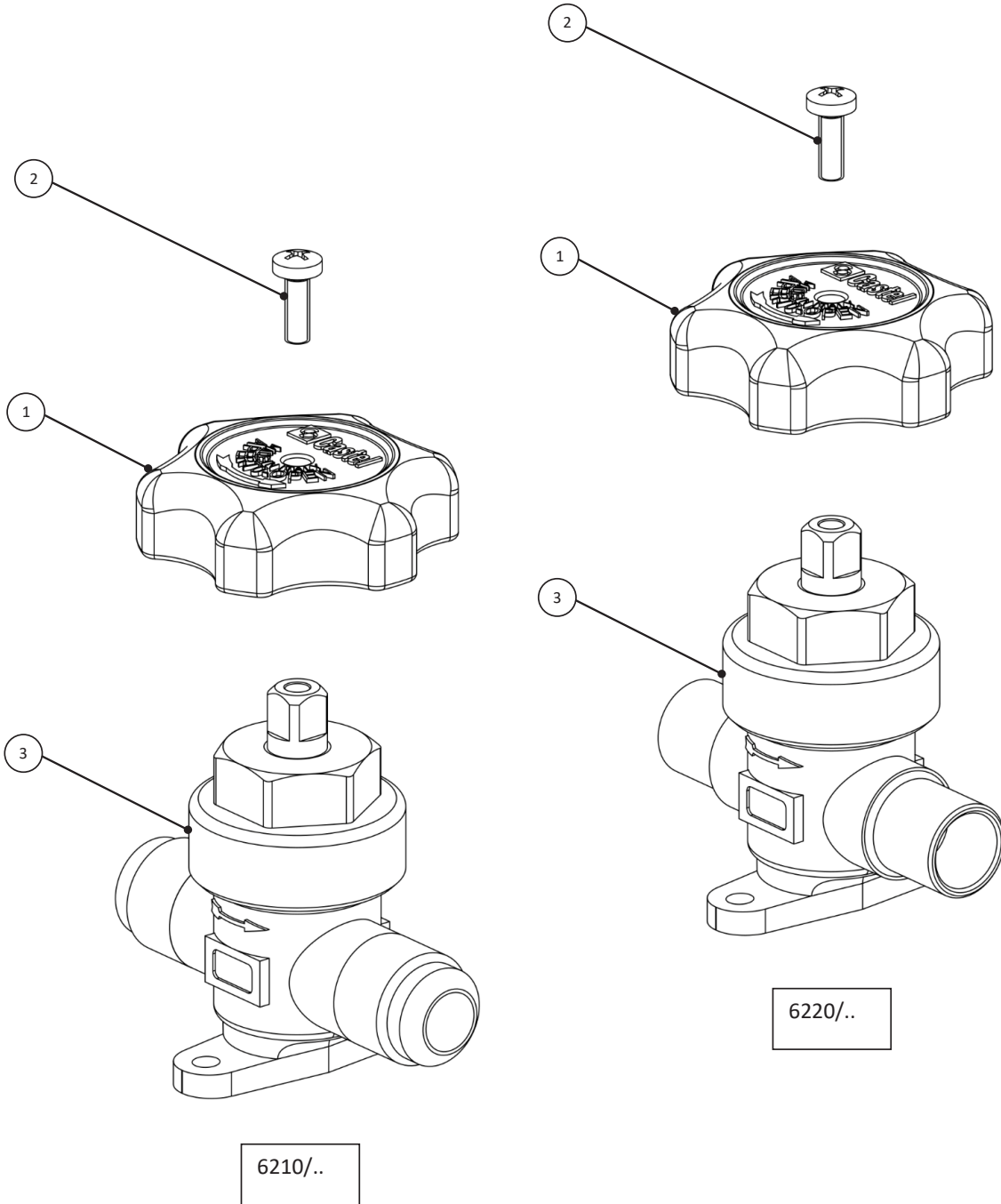
TYPE 6165/.. – 6175/.. – 6170/.. – 6176/.. (CLASSIC)



1)	CAP
2)	BODY / VALVE

FIG. 45

DIAPHRAGM VALVES
TYPE 6210/.. – 6220/.. (CLASSIC)



1)	RED HANDLE
2)	SCREW
3)	BODY/VALVE

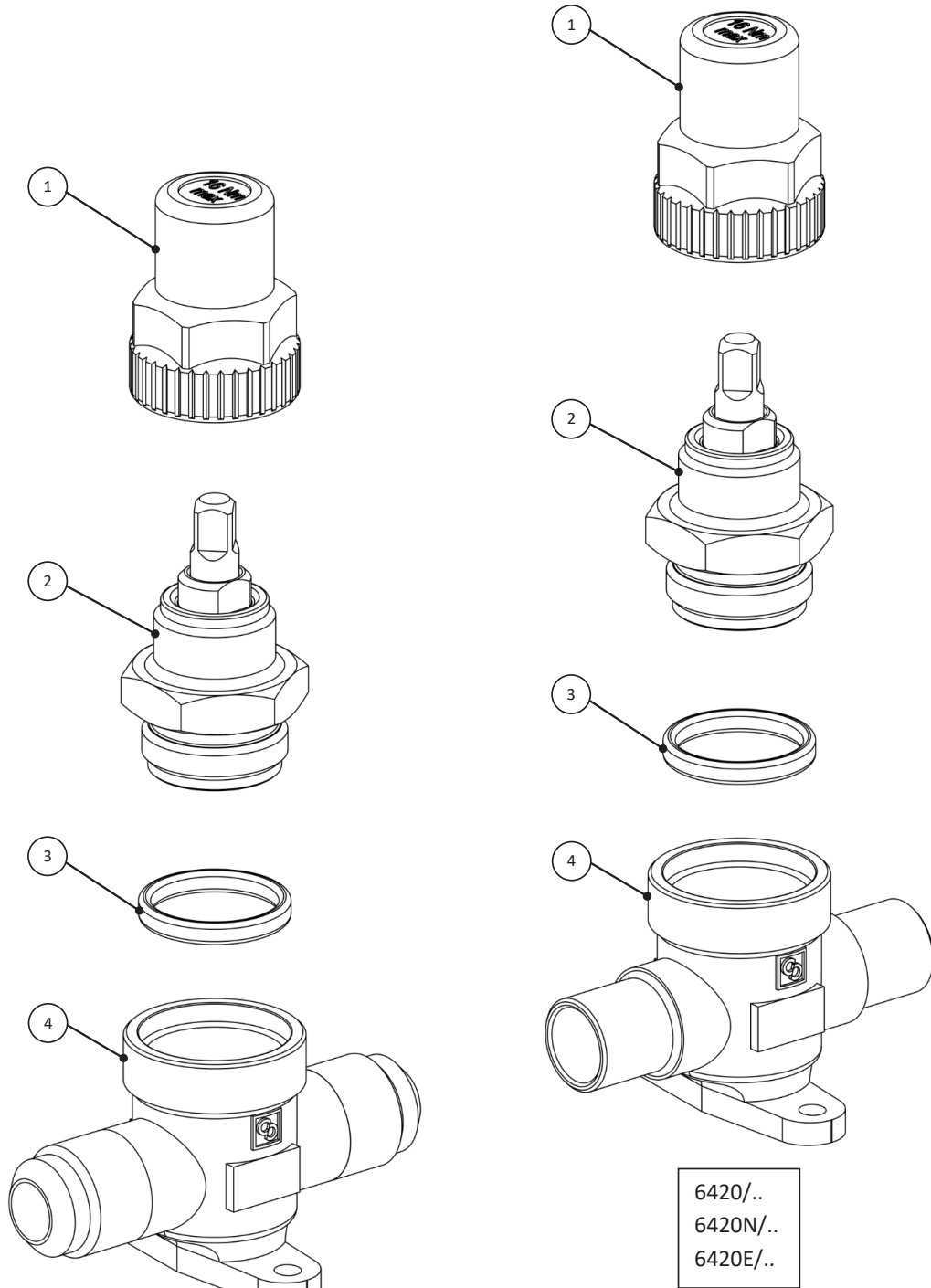
FIG. 46

CAPPED VALVES

TYPE 6410/.. – 6420/.. (CLASSIC)

6420N/.. (POLYHEDRA)

6410E/.. – 6420E/.. (GO GREEN)



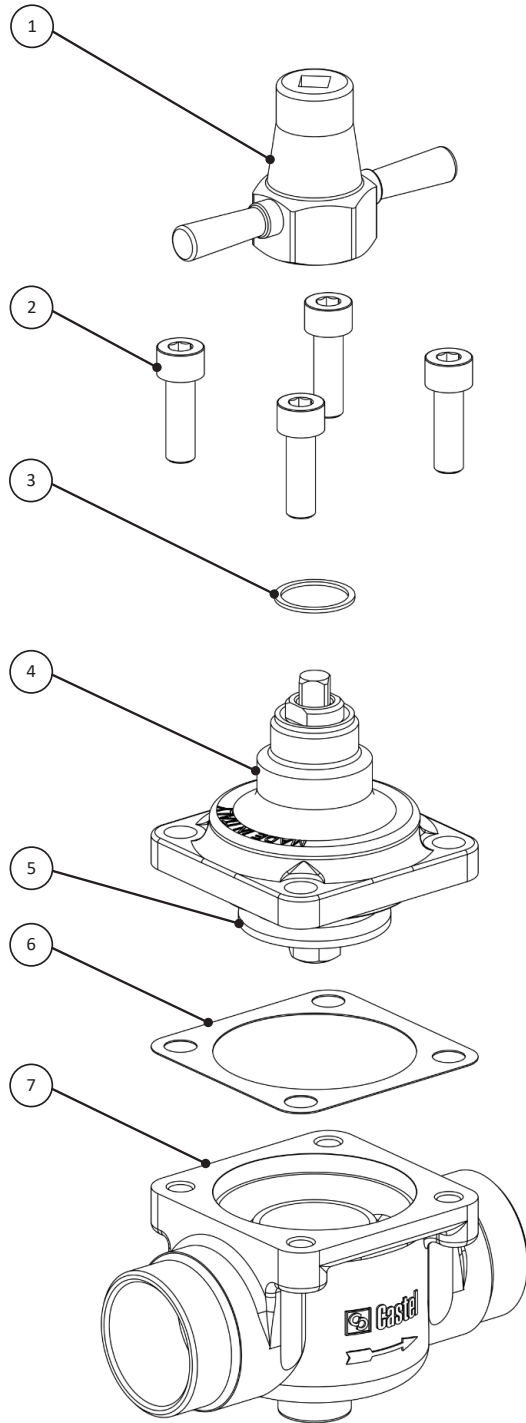
6410/..
6410E/..

1)	CAP
2)	ASSEMBLY NIPPLE
3)	NIPPLE/BODY O-RING
4)	BODY / VALVE

6420/..
6420N/..
6420E/..

FIG. 47

GLOBE VALVES
TYPE 6512/..(CLASSIC)



1)	CAP
2)	SCREWS
3)	CAP GASKET
4)	COVER ASSEMBLY
5)	PISTON
6)	GASKET
7)	BODY

FIG. 48

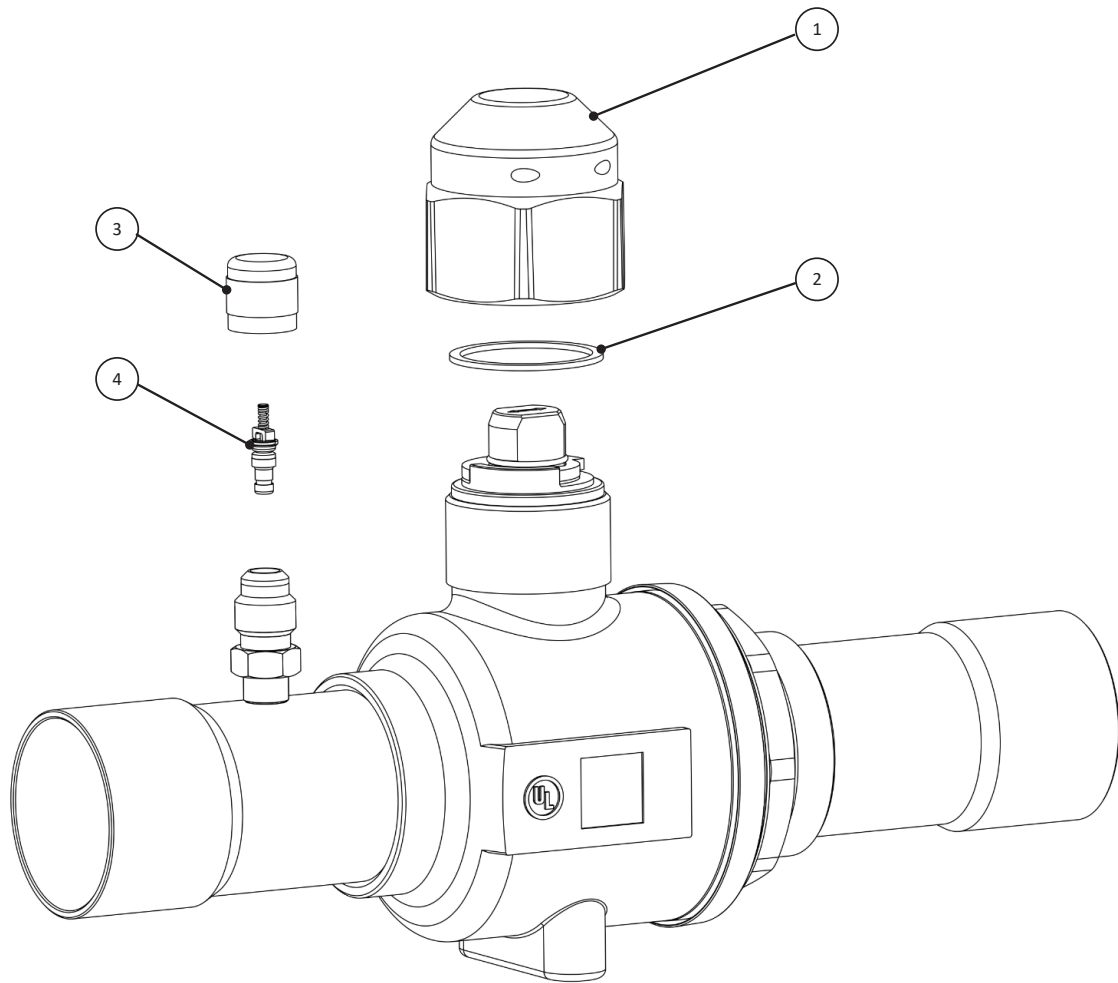
BALL VALVES

TYPE 6570/.. – 6571/.. – 6590/.. – 6591/.. (CLASSIC)

6570N/.. – 6590N/.. (POLYHEDRA)

6570E/.. – 6570EL/.. – 6577E/.. – 6578E/.. (CO₂)

6590E/.. – 6590EL/.. – 6597E/.. – 6598E/.. (CO₂)



1)	CAP
2)	CAP GASKET
3)	CAP
4)	VALVE CORE

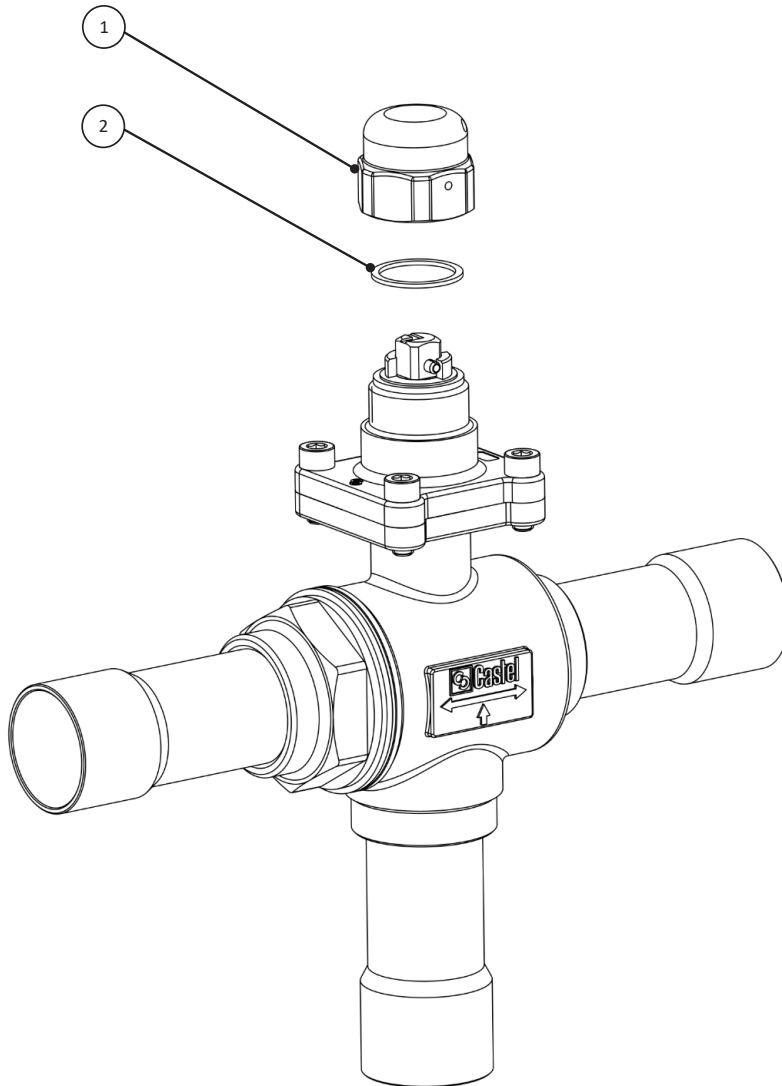
FIG. 49

3-WAYS BALL VALVES

TYPE 6690/.. (CLASSIC)

6690N/.. (POLYHEDRA)

6690E/.. – 6697E/.. – 6698E/.. (GO GREEN)



1)	CAP
2)	CAP GASKET

FIG. 50

ELECTRONIC OIL LEVEL REGULATORS
 TYPE 5650/.. (POLYHEDRA)

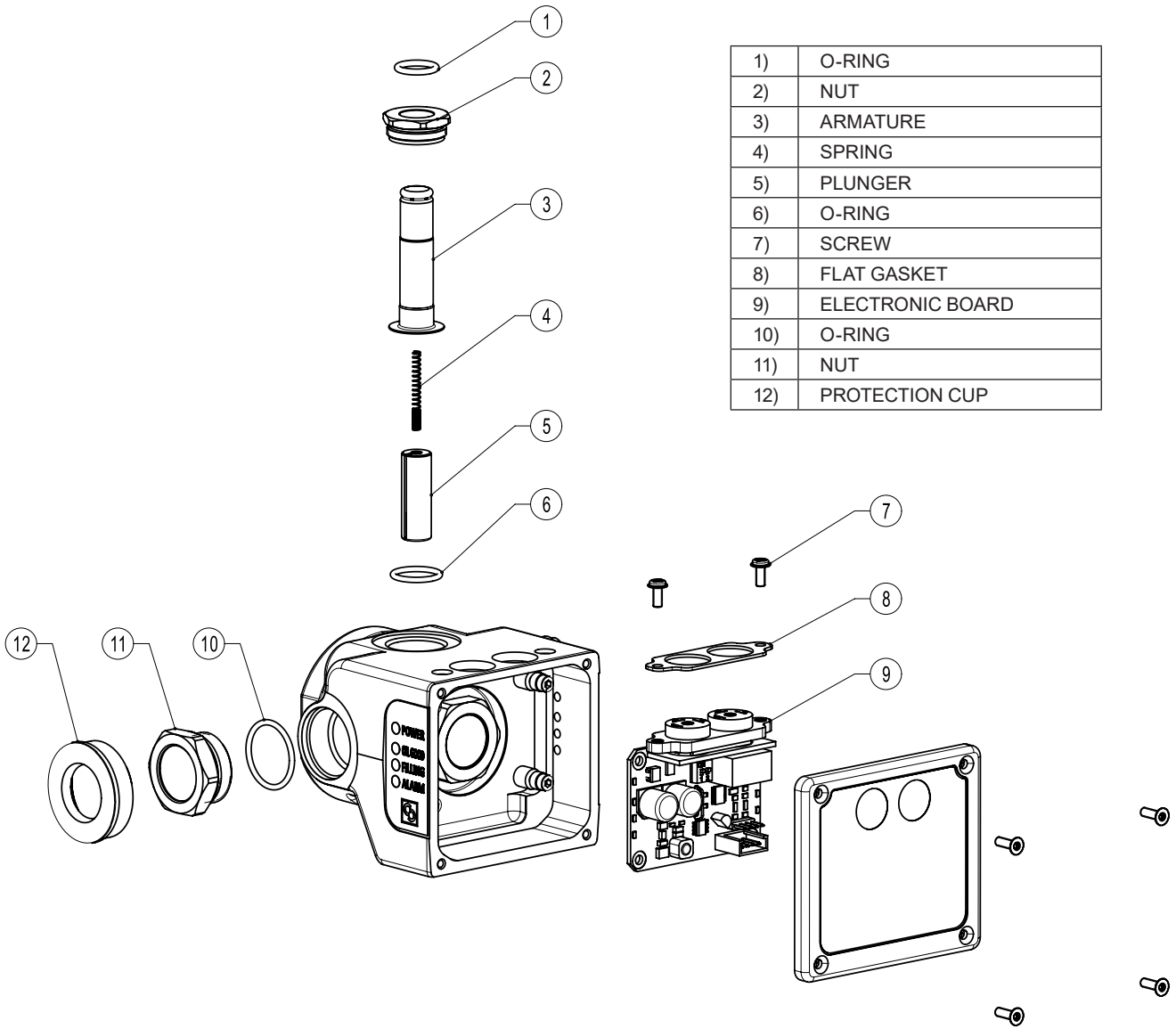
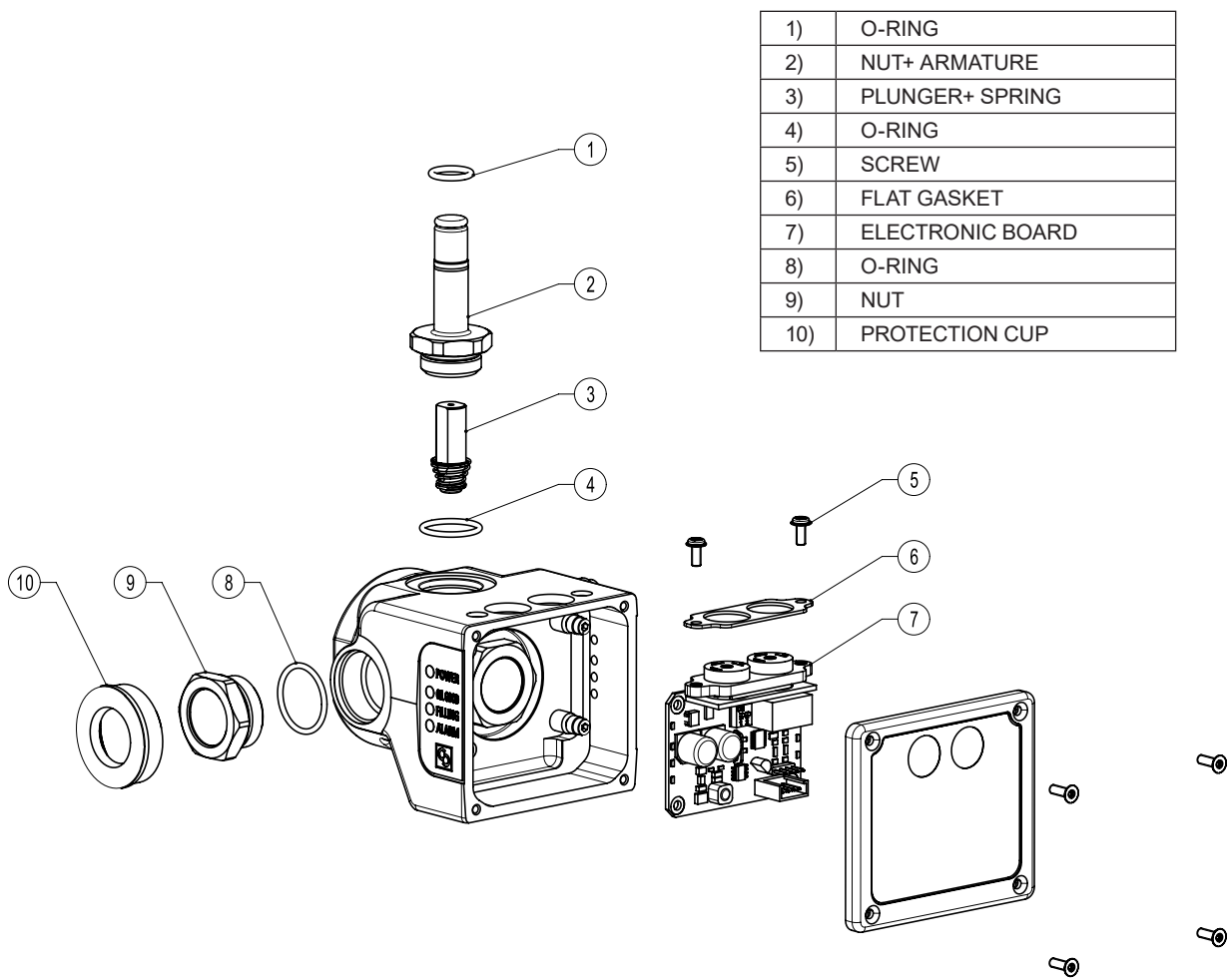


FIG. 51

ELECTRONIC OIL LEVEL REGULATORS
 TYPE 5650E/.. – 5658E/.. (GO GREEN)





SPC-ED01/2025



Castel can accept no responsibility for any errors or changes in the catalogues, handbooks, brochures and other printed material. Castel reserves the right to make changes and improvements to its products without notice. All trademarks mentioned are the property of their respective owners. The name and Castel logotype are registered trademarks of Castel Srl. All rights reserved.

Via Provinciale, 2-4
20042 Pessano con Bornago (MI)

Tel. +39 02.957021
Fax +39 02.95741317

info@castel.it
castel.it