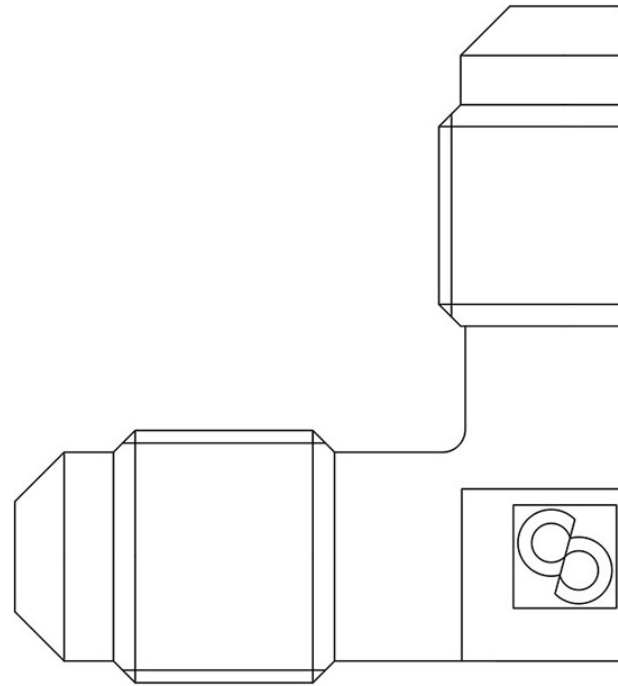


## Product Code

# 8380/122

TEE Access Fitting

1/4"Flarex1/4"Flarex1/8"NPT<br>PS = 120 bar



### Product use

Accessories for use with the following ASHRAE 34:2019 refrigerants, Class A1, A2L, or A3:

- HCFC (R22)
- HFC (R134a, R32, R404A, R407C, R410A, R507)
- HFO and HFO/HFC blends (R1234ze, R1234yf, R448A, R449A, R450A, R452A, R513A, R515A, R515B)
- HC (R290, R600, R600a, R1270)
- R744

### Product Details

Connections SAE Flare Valve cc 1/4"

Connections SAE Flare F

NPT 1/8"

IDS Ø [in.]

IDS Ø [mm]

PS [bar] 140

Package pcs 100