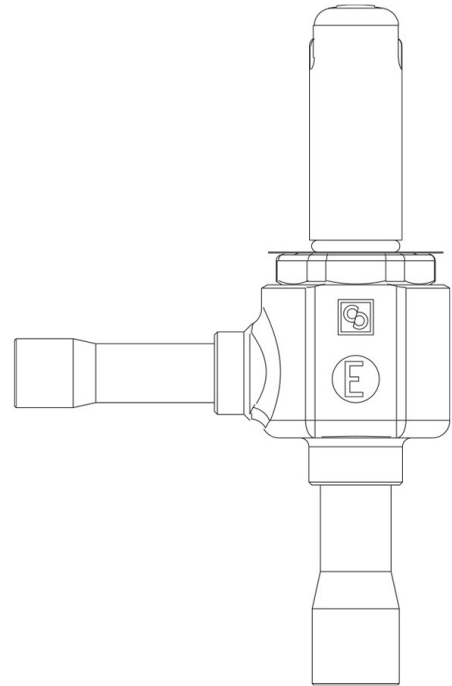


## Product Code

# 2028E/M10S00

PWM Expansion Valve CO2  
10mmx12mm ODS Seat 00  
PS = 90 bar



### Product use

Accessories for use with refrigerant R744.

These valves are only sold in the model without the coil (S suffix), with 9 nozzles assembled for an increasing output from 2 to 43 kW.

### Product Details

|                        |        |
|------------------------|--------|
| Orifice type           | 00     |
| Connections In Ø [in.] | -      |
| Connections In Ø [mm]  | 10     |
| Out                    | -      |
| Out Ø [mm]             | 12     |
| Kv [m <sup>3</sup> /h] | 0,0027 |
| PS [bar]               | 90     |
| MWP [psi] (1)          | 1305   |
| TS [°C] min.           | -50    |
| TS [°C] max.           | +100   |
| Package pcs.           | 17     |

### Notes where expressly stated

for rated capacities see table of the orifice assemblies

(1): according to UL approval