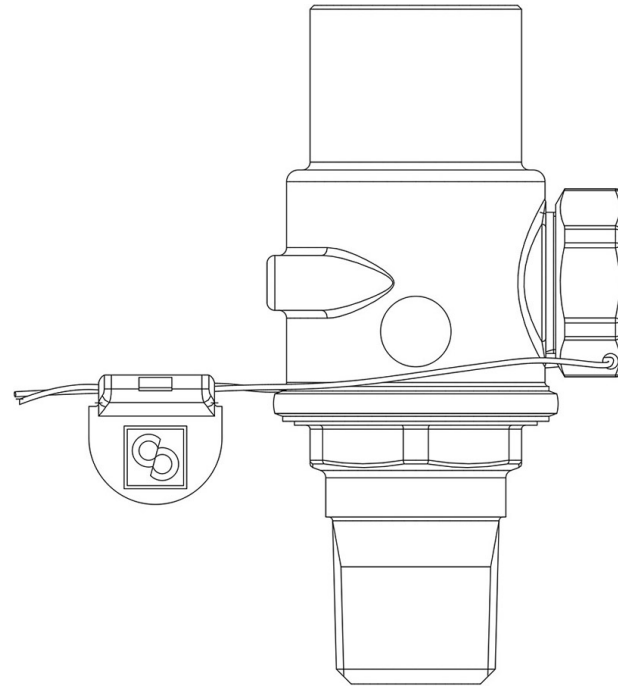


Product Code

3064N/88

Ball Shut Off Valve
1" NPT
PS = 80 bar



POLYHEDRA

Product use

The shut-off valves series 3064N, installed between the equipment to be protected and the safety valve, allow the valve to be removed for periodic inspection or replacement without blowing off all the refrigerant from a section of the system.

Accessories for use with the following ASHRAE 34:2019 refrigerants, Class A1, A2L, or A3:

HFC (R134A, R32, R404A, R407C, R410A, R507)

HFO (R1234YF, R1234ZE)

HFO + HFC (R448A, R449A, R450A, R452A, R452B, R454A, R454B, R454C, R455A, R513A, R515A, R515B)

HC (R290, R600, R600A, R1270)

Product Details

| | |
|------------------------|------|
| Connections NPT | 1" |
| Kv [m ³ /h] | 20 |
| PS [bar] | 80 |
| MWP [psi] (1) | 798 |
| TS[°C] min. | -40 |
| TS[°C] max. | +150 |
| Package pcs | 14 |

Notes where expressly stated

Castel non si assume alcuna responsabilità per eventuali errori nei cataloghi, opuscoli e altro materiale stampato o indicato nel sito Castel.it. Castel si riserva il diritto di modificare i propri prodotti senza preavviso. Tutti i marchi in questo materiale sono di proprietà di Castel. Tutti i diritti riservati.

Castel assumes no responsibility for any errors in catalogs, brochures and other material printed or indicated on the Castel.it website. Castel reserves the right to modify its products without notice. All trademarks in this material are the property of Castel. All rights reserved.

(1): according to UL approval