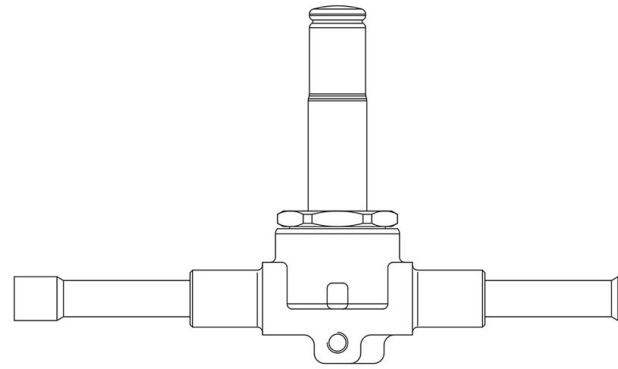
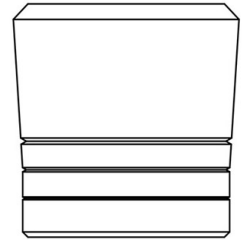


Product Code

9900/X91

Permanent Magnet



Product use

Magnetic tool part number 9900/X91 can be used on all Castel normally closed solenoid valves. Used during brazing of copper connections of the solenoid valve to the line piping allows the valve to be opened and for passage of the protective gas inside the valve. This avoids damage due to overheating of both the nucleus gasket and the membrane/piston gasket.

Product Details

Package pcs 1