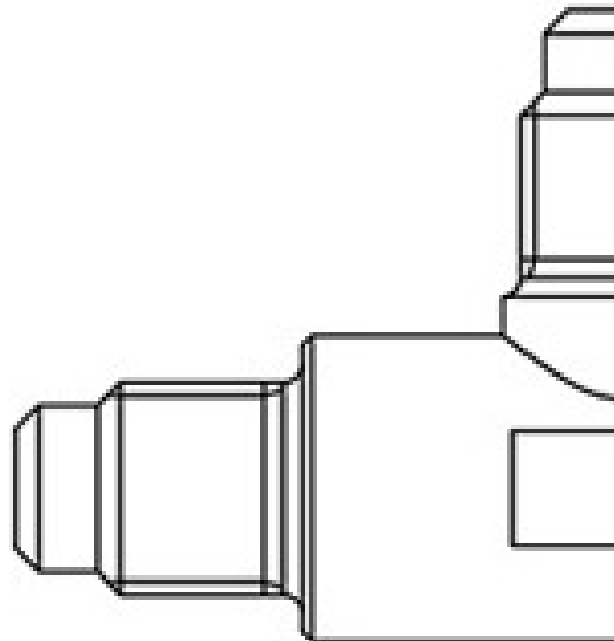


Product Code

9900/X81

7-Ways Manifold



Product use

Accessories for use with the following ASHRAE 34:2019 refrigerants, Class A1, A2L, or A3:

- HCFC (R22)
- HFC (R134a, R32, R404A, R407C, R410A, R507)
- HFO and HFO/HFC blends (R1234ze, R1234yf, R448A, R449A, R450A, R452A, R513A, R515A, R515B)
- HC (R290, R600, R600a, R1270)
- R744

Product Details

Input connection SAE Flare	2 x 1/4"
Lateral output connections	3 x 1/4" SAE M + 2 x 1/4" SAE M
Longitudinal output connection: -	
Lenght [mm]	190
PS [bar]	45
TS [°C] min.	-40
TS [°C] max.	+150
Fluids	HC-HFC-HFO-R744
Package pcs	30

Notes where expressly stated

(1): including fixation support 2xM10