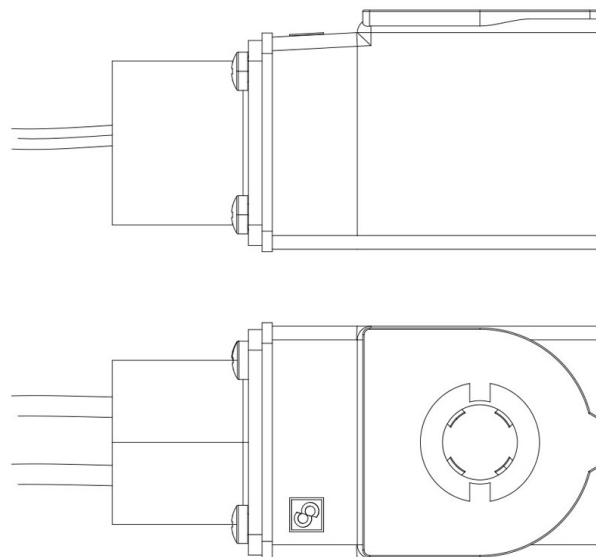


Product Code

9116/RA2

Coil Type CM2 N4 24 Vac UL Recogn.
24V 60Hz



Product use

Coils with the new FAST LOCK fixing system, series 9300 and 9320, and coils with gear fixing systems, series 9110, 9120 and 9160.

Fast-on connections type DIN 43650/A for coils in series: 9120, 9160, 9300 and 9320; co-moulded cables for series 9110 coils. Protection rating IP65; IP68 for series 9160 coils coupled with series 9155 connectors.

Available voltages; 24 VAC - 50/60 Hz, 110 VAC - 50/60 Hz, 220/230 VAC - 50/60 Hz, 240 VAC - 50/60 Hz, 380 VAC - 50/60 Hz, 12 VDC, 24 VDC, 27 VDC, 48 VDC.

Connectors in series 9150, normalized DIN 43650, to wire, with IP65 protection rating. Connectors in series 9900, again normalized DIN 43650, pre-wired with various cable lengths, with IP65 protection rating.

Connectors in series 9155, to wire, with IP65/68 protection rating.

Product Details

| | |
|-------------------------------------|--------------------------------|
| Coil Type (1) | CM2-N4 |
| Voltage [V] | 24 |
| Frequency [Hz] | 60 |
| Power [W] | 11 |
| Connectors Type | Conduit hub NEMA 4457mm cables |
| Connectors Protection degree | ~ IP 54 |
| Package Pcs. | 16 |

Notes where expressly stated

(1): coil with spare part G9150/R97 (yellow nut + black screw + OR)