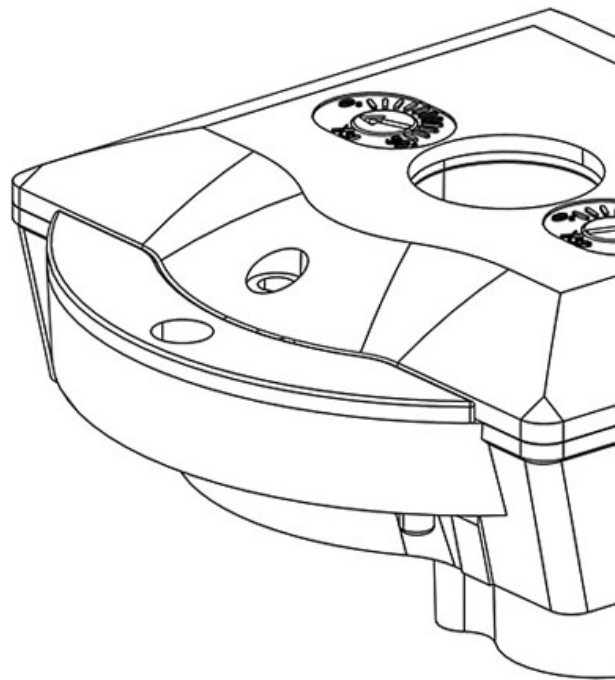


Product Code

**9750/X02**

Auxiliary switch units  
x 9700/RA6 ,9720/RA2 , 9720/RA6



**G GREEN**

STABILIZZAZIONE DEL POTENZIALE

**P POLYHEDRA**

**CLASSIC**

## Product use

Auxiliary contacts are accessories to be used with servo motors. They are double-throw switches and can be set to any position between 0 and 90 degrees.

Their use allows remote the position of the motor and consequently that of the valve on which it is mounted. With covers properly shaped on the servo motor profile, it is possible to protect them from the harmful effects of weather and water.

Made of durable materials, it ensures reliable operation and extends the life of the system: safety and durability in every operating environment.

## Product Details

**Suitable for servomotor** 9700/RA69720/RA29720/RA6

**Contact type** Double

**Max loading [A]** 5

**Ambient temperature [°C] min.** -20

**Ambient temperature [°C] max.** +55

**Degree of protection** IP 40

**Package Pcs.** 1