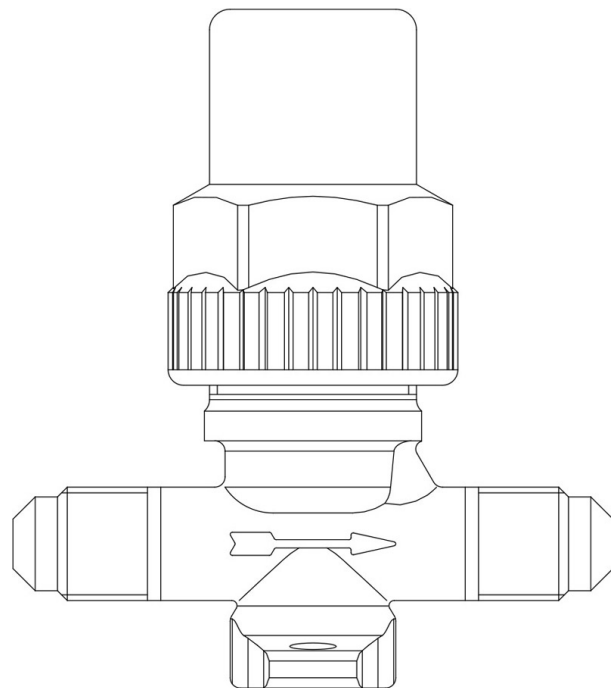


Product Code

6012E/X02

Two Ways Hermetic Valve CO2
1/4"ODS
PS = 140



Product use

Two-way valves with 90 ° connections

- Refrigerant CO2 (R744)

Product Details

Connections SAE Flare -

Connections SAE Flare -

ODS 1/4"

ODS 1/4"

Kv [m³/h] 0,27

PS[bar] 140

MWP [psi] (1) 2030

TS[°C] min. -40

TS[°C] max. +150

Package pcs 45

Notes where expressly stated

(1): according to UL approval