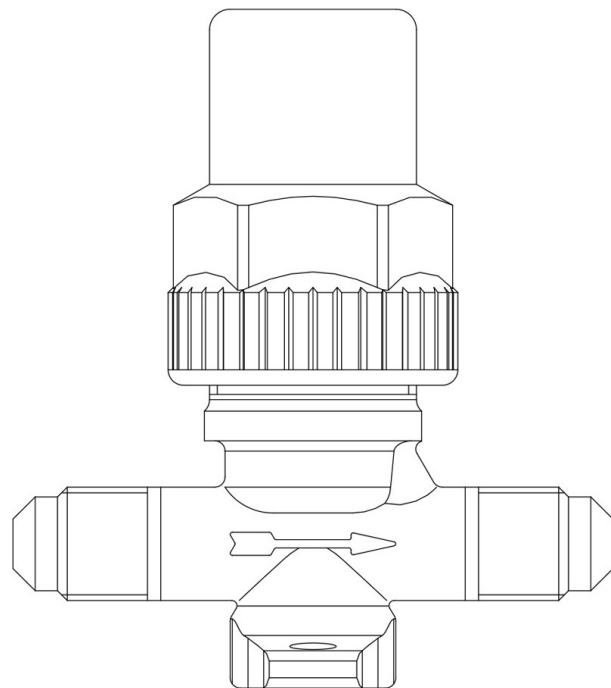


## Product Code

# 6012E/22

Two Ways Hermetic Valve CO2  
1/4"Flare x1/4"ODS<br>PS = 140 bar



### Product use

Two-way valves with 90 ° connections

- Refrigerant CO2 (R744)

### Product Details

**Connections SAE Flare** 1/4"

**Connections SAE Flare** -

**ODS** 1/4"

**ODS** -

**Kv [m<sup>3</sup>/h]** 0,27

**PS[bar]** 140

**MWP [psi] (1)** 2030

**TS[°C] min.** -40

**TS[°C] max.** +130

**Package pcs** 72

### Notes where expressly stated

(1): according to UL approval