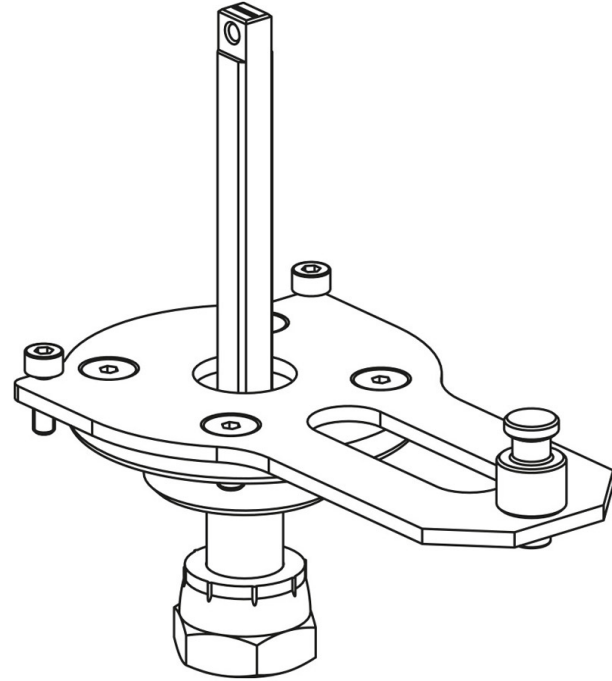


Product Code

9901/X60

Actuator Adapter

-



Product use

Flanged adapters are made by Castel to couple the actuators to the 2-ways ball valves or manual 3-ways ball valves later allowing the conversion from a manual to a motorized valve.

Product Details

Package Pcs. 1

Notes where expressly stated

see the couplings indicated in the COUPLING SCHEME table