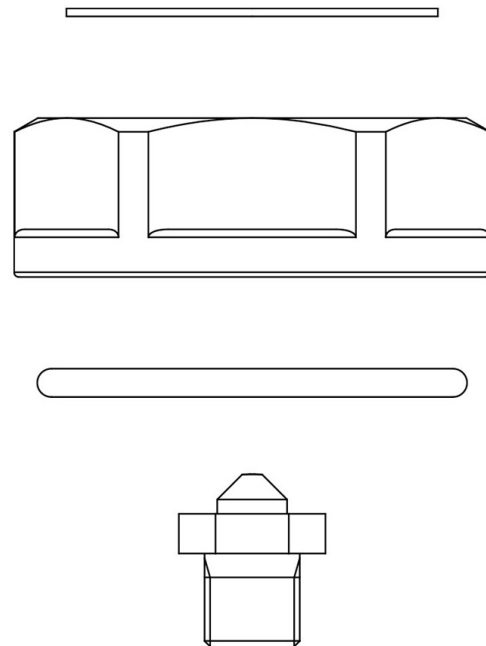


Product Code

9150C/R66

Orifice Assemblies



Product use

Accessories for use with the following ASHRAE 34:2019 refrigerants, Class A1, A2L, or A3:

- HFC (R134A, R32, R404A, R407C, R410A, R507)
- HFO (R1234YF, R1234ZE)
- HFO + HFC (R448A, R449A, R450A, R452A, R452B, R454A, R454B, R454C, R455A, R513A, R515A, R515B)
- HC (R290, R600, R600A, R1270)

These valves are only sold in the model without the coil (S suffix), with 9 nozzles assembled for an increasing output from 1 to 22 kW with R410A.

Product Details

Orifice type	04
Rated capacity (1) [kW] R134a	3,01
Rated capacity (1) [kW] R32	6,68
R404A	2,81
R507	2,81
R407C	3,92
R410A	4,60
R1234ze	2,36
R1234yf	2,22
R448A	3,75
R449A	3,68
R450A	2,64

R452A	2,91
R452B	5,19
R454A	3,80
R454B	5,24
R454C	3,24
R513A	2,55
R515A	2,27
R515B	2,26
R290	4,05
R600	2,57
R600a	2,66
R1270	4,54
Package pcs.	180

Notes where expressly stated

(1) Rated capacities are based on:

- Evaporating temperature $T_{\text{evap}} = + 5 \text{ }^{\circ}\text{C}$
- Condensing temperature $T_{\text{cond}} = + 32 \text{ }^{\circ}\text{C}$
- Refrigerant liquid temperature ahead of valve $T_{\text{liq}} = + 28 \text{ }^{\circ}\text{C}$