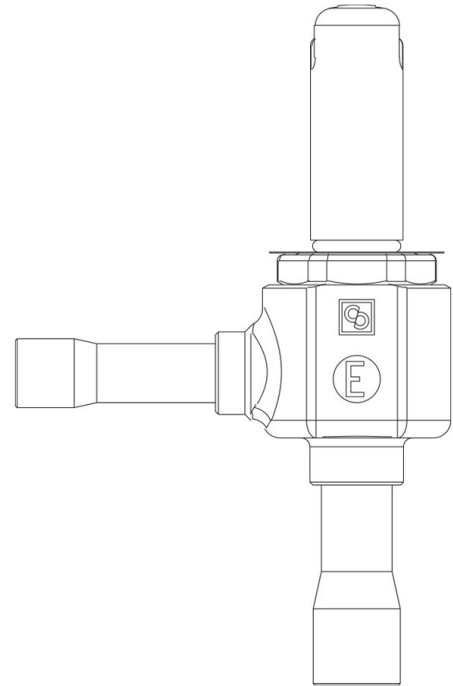


## Product Code

# 2028E/M10S04

PWM Expansion Valve CO2  
10mmx12mm ODS Seat 04  
PS = 90 bar



### Product use

Accessories for use with refrigerant R744.

These valves are only sold in the model without the coil (S suffix), with 9 nozzles assembled for an increasing output from 2 to 43 kW.

### Product Details

Orifice type 04

Connections In Ø [in.] -

Connections In Ø [mm] 10

Out -

Out Ø [mm] 12

Kv [m<sup>3</sup>/h] 0,043

PS [bar] 90

MWP [psi] (1) 1305

TS [°C] min. -50

TS [°C] max. +100

Package pcs. 17

### Notes where expressly stated

for rated capacities see table of the orifice assemblies

Castel non si assume alcuna responsabilità per eventuali errori nei cataloghi, opuscoli e altro materiale stampato o indicato nel sito Castel.it. Castel si riserva il diritto di modificare i propri prodotti senza preavviso. Tutti i marchi in questo materiale sono di proprietà di Castel. Tutti i diritti riservati.

Castel assumes no responsibility for any errors in catalogs, brochures and other material printed or indicated on the Castel.it website. Castel reserves the right to modify its products without notice. All trademarks in this material are the property of Castel. All rights reserved.

(1): according to UL approval