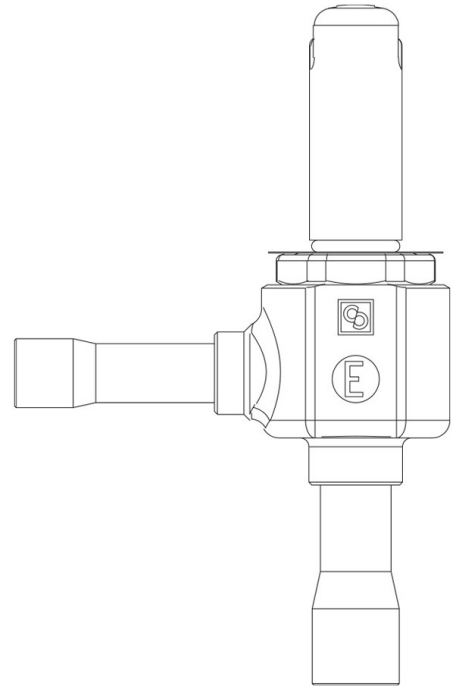


## Product Code

# 2028E/M10S00

PWM Expansion Valve CO2  
10mmx12mm ODS Seat 00  
PS = 90 bar



### Product use

Accessories for use with refrigerant R744.

These valves are only sold in the model without the coil (S suffix), with 9 nozzles assembled for an increasing output from 2 to 43 kW.

### Product Details

Orifice type	00
Connections In Ø [in.]	-
Connections In Ø [mm]	10
Out	-
Out Ø [mm]	12
Kv [m <sup>3</sup> /h]	0,0027
PS [bar]	90
MWP [psi] (1)	1305
TS [°C] min.	-50
TS [°C] max.	+100
Package pcs.	17

### Notes where expressly stated

for rated capacities see table of the orifice assemblies

(1): according to UL approval