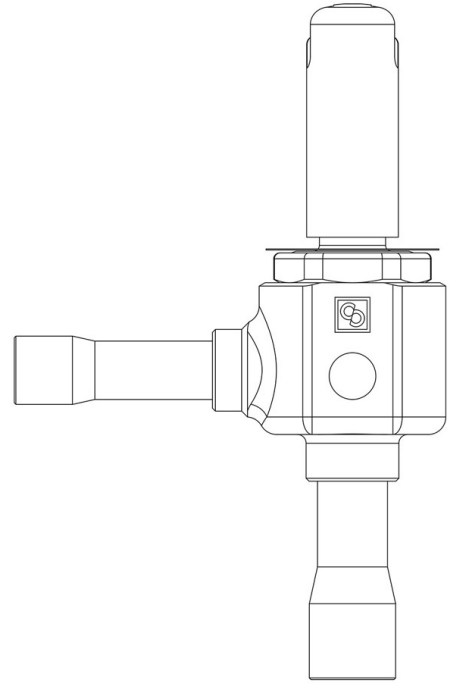


Product Code

2028C/3S05

PWM Expansion Valve



Product use

Accessories for use with refrigerant R744.

These valves are only sold in the model without the coil (S suffix), with 9 nozzles assembled for an increasing output from 2 to 43 kW.

Product Details

| | |
|------------------------|-------|
| Orifice type | 05 |
| Connections In Ø [in.] | 3/8" |
| Connections In Ø [mm] | - |
| Out Ø [in.] | 1/2" |
| Out Ø [mm] | - |
| Kv [m ³ /h] | 0,065 |
| PS [bar] | 90 |
| MWP [psi] (1) | 1305 |
| TS [°C] min. (2) | -80 |
| TS [°C] max. | +60 |
| Package pcs. | 17 |

Notes where expressly stated

for rated capacities see table of the orifice assemblies

(1): according to UL approval

(2): UL -50°C