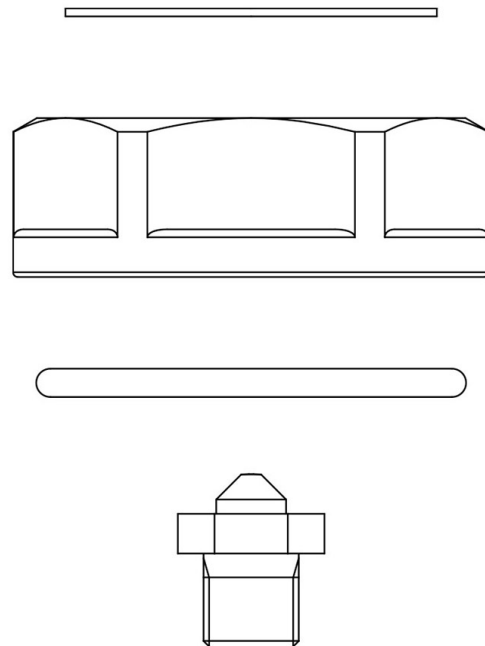


Product Code

**9150C/R78**

Orifice Assemblies



### Product use

Accessories for use with the following ASHRAE 34:2019 refrigerants, Class A1:

HCFC (R22)

HFC (R134a, R404A, R407C, R410A, R507)

HFO (R1234ze)

HFO + HFC (R448A, R449A, R450A, R452A, R513A, R515A, R515B)

These valves are only sold in the model without the coil (S suffix), with 9 nozzles assembled for an increasing output from 1 to 22 kW with R410A.

### Product Details

Orifice type 08

Rated capacity (1) [kW] R134a 13,57

Rated capacity (1) [kW] R22 17,29

R23 25,8

R404A 12,66

R507 12,66

R407C 17,77

R410A 20,75

R1234ze 10,66

R448A 16,91

R449A 16,60

R450A 11,91

Castel non si assume alcuna responsabilità per eventuali errori nei cataloghi, opuscoli e altro materiale stampato o indicato nel sito Castel.it. Castel si riserva il diritto di modificare i propri prodotti senza preavviso. Tutti i marchi in questo materiale sono di proprietà di Castel. Tutti i diritti riservati.

Castel assumes no responsibility for any errors in catalogs, brochures and other material printed or indicated on the Castel.it website. Castel reserves the right to modify its products without notice. All trademarks in this material are the property of Castel. All rights reserved.

R452A	13,11
R513A	11,51
R515A	10,25
R515B	10,21
Package pcs.	180

## Notes where expressly stated

(1) Rated capacities are based on:

- Evaporating temperature  $T_{\text{evap}} = + 5 \text{ }^{\circ}\text{C}$
- Condensing temperature  $T_{\text{cond}} = + 32 \text{ }^{\circ}\text{C}$
- Refrigerant liquid temperature ahead of valve  $T_{\text{liq}} = + 28 \text{ }^{\circ}\text{C}$

Rated capacities in R23 are based on:

- Evaporating temperature  $T_{\text{evap}} = - 30 \text{ }^{\circ}\text{C}$
- Condensing temperature  $T_{\text{cond}} = - 4 \text{ }^{\circ}\text{C}$
- Refrigerant liquid temperature ahead of valve  $T_{\text{liq}} = - 8 \text{ }^{\circ}\text{C}$