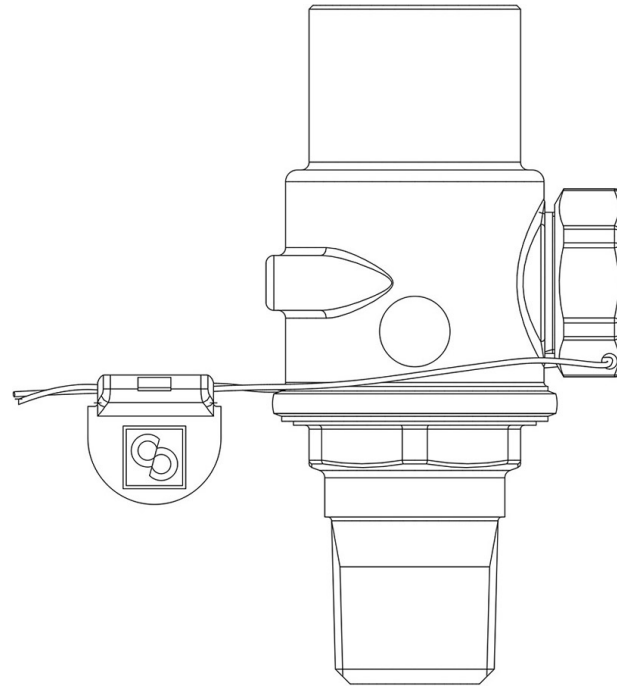


## Product Code

# 3064/22

Ball Shut Off Valve  
1/4" NPT  
PS = 80 bar

CLASSIC



### Product use

The shut-off valves series 3064, installed between the equipment to be protected and the safety valve, allow the valve to be removed for periodic inspection or replacement without blowing off all the refrigerant from a section of the system.

Accessories for use with the following ASHRAE 34:2019 refrigerants, Class A1:

HCFC (R22)

HFC (R134a, R404A, R407C, R410A, R507)

HFO (R1234ze)

HFO + HFC (R448A, R449A, R450A, R452A, R513A, R515A, R515B)

### Product Details

Connections NPT 1/4"

Kv [m<sup>3</sup>/h] 2,5

PS [bar] 80

MWP [psi] (1) 1160

TS[°C] min. -40

TS[°C] max. +150

Package pcs 20

### Notes where expressly stated

(1): according to UL approval