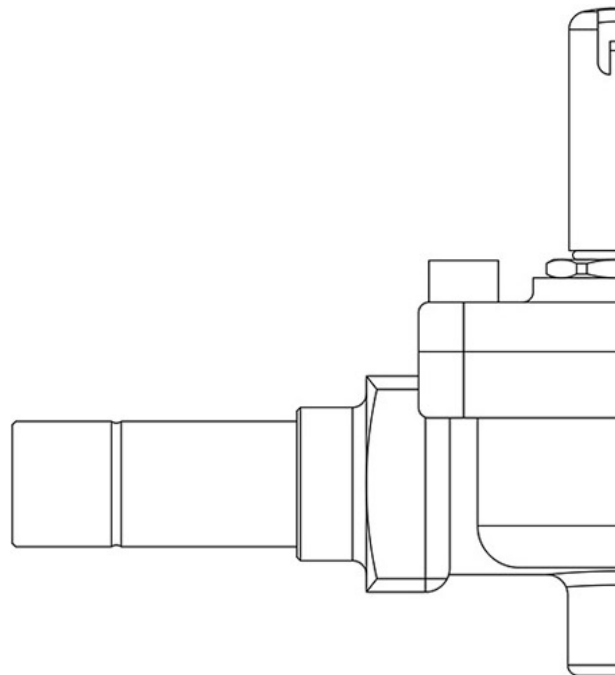


Product Code

1098N/7S

Solenoid Valve
7/8"-22mm ODS w/o Coil
PS = 50 bar

POLYHEDRA



Product use

Accessories for use with the following ASHRAE 34:2019 refrigerants, Class A1, A2L, or A3:
 HFC (R134A, R32, R404A, R407C, R410A, R507)
 HFO (R1234YF, R1234ZE)
 HFO + HFC (R448A, R449A, R450A, R452A, R452B, R454A, R454B, R454C, R455A, R513A, R515A, R515B)
 HC (R290, R600, R600A, R1270)

These valves are sold in both the version without the coil (S suffix) and the version with the coil (A6 suffix for coils at 220 VAC).

Product Details

Operating principle	Diaphragm pilot operated
Coil Type (1)	HF2HF3HF4HM2HM3HM4CM2
Connections ODS Ø [in.]	7/8"
Connections ODS Ø [mm]	22
Kv [m³/h]	5,7
PS [bar]	50
TS [°C] min.	-40
TS [°C] max.	+120
Package Pcs.	14

Notes where expressly stated

(1) : coils that can be mounted on the valves