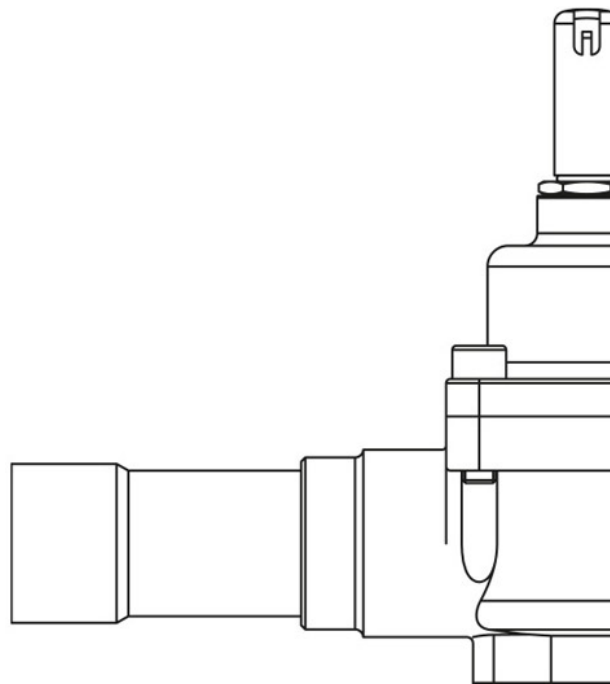


## Product Code

# 1078EL/13S

Solenoid Valve

1.5/8" ODS w/o Coil  
PS = 60 bar



### Product use

Accessories for use with refrigerant R744.

These valves are exclusively sold in the model without coil (S suffix).

### Product Details

**Operating principle**                      Piston pilot operated

**Coil Type (1)**                                HF3 (HM3)

**Connections ODS Ø [in.]**                1.5/8"

**Connections ODS Ø [mm]**                -

**Kv [m<sup>3</sup>/h]**                                    25

**PS [bar]**                                        60

**TS [°C] min.**                                -40

**TS [°C] max.**                                +130

**Package Pcs.**                                1

### Notes where expressly stated

(1) : coils that can be fit on the valves