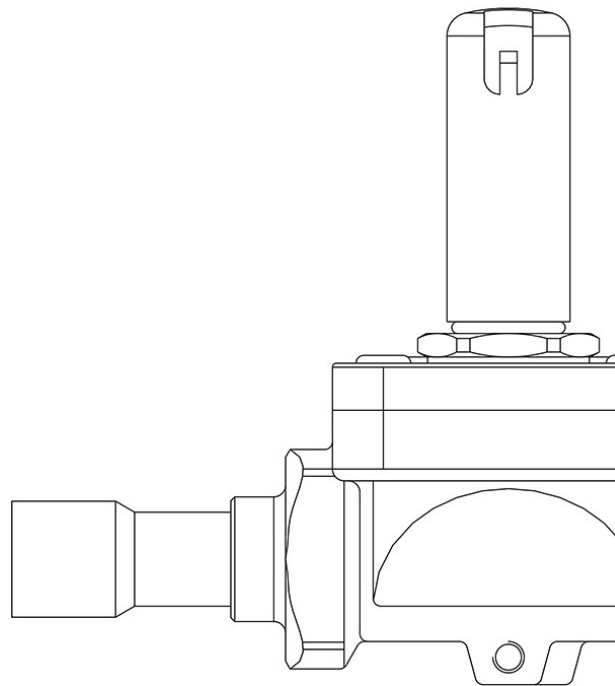


## Product Code

# 1078/5S

Solenoid Valve  
5/8"-16mm ODS w/oCoil  
PS = 45 bar

CLASSIC



### Product use

Accessories for use with the following ASHRAE 34:2019 refrigerants, Class A1:

HCFC (R22)

HFC (R134a, R404A, R407C, R410A, R507)

HFO (R1234ze)

HFO + HFC (R448A, R449A, R450A, R452A, R513A, R515A, R515B)

These valves are sold in both the version without the coil (S suffix) and the version with the coil (A6 suffix for coils at 220 VAC and A7 suffix for coils at 240 VAC).

### Product Details

**Operating principle** Diaphragm pilot operated

**Coil Type (1)** HF2HF3HF4HM2HM3HM4CM2

**Connections ODS Ø [in.]** 5/8"

**Connections ODS Ø [mm]** 16

**Kv [m<sup>3</sup>/h]** 2,61

**PS [bar]** 45

**TS [°C] min.** -35

**TS [°C] max.** +105

**Package Pcs.** 17

## Notes where expressly stated

(1) : coils that can be mounted on the valves