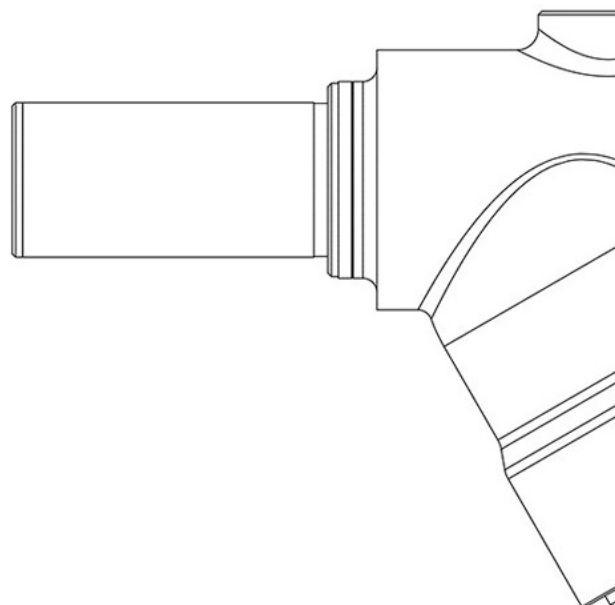


Product Code

4728E/M28

Strainer CO2

28mm W
PS = 120 bar - 1740 PSI



GO GREEN

R744 • NATURAL REFRIGERANT

Product use

Inspectionable strainers can be installed in all lines of a refrigeration system, wherever it is necessary to avoid the accumulation of dirt or slag in very delicate components (for example in back-pressure valves). Accessories for use with refrigerant R744.

Product Details

Connections W [mm]	28
Filtering surface [cm ²]	18
Mesh-opening [mm]	0,2
Kv [m ³ /h]	6
PS [bar]	140
MWP [psi] (1)	1740
TS [°C] min.	-40
TS [°C] max.	+150
Package pcs	8

Notes where expressly stated

(1): according to UL approval