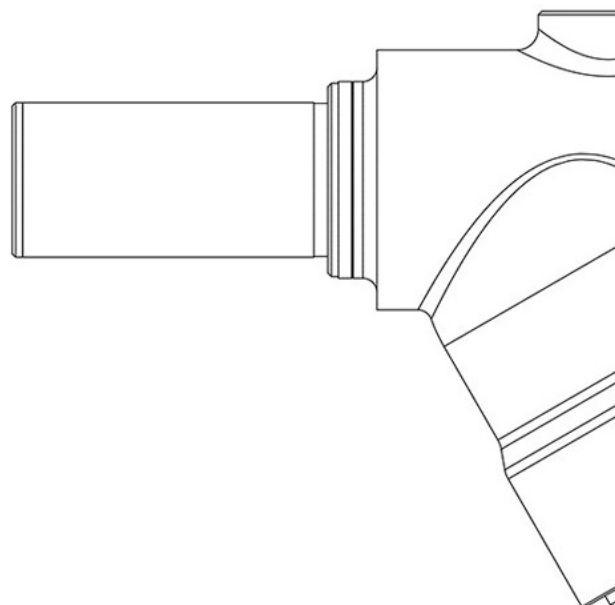


Product Code

4728E/M18

Strainer CO2

18mm W
PS = 120 bar - 1740 PSI



GO GREEN

R744 • NATURAL REFRIGERANT

Product use

Inspectionable strainers can be installed in all lines of a refrigeration system, wherever it is necessary to avoid the accumulation of dirt or slag in very delicate components (for example in back-pressure valves). Accessories for use with refrigerant R744.

Product Details

| | |
|--------------------------------------|------|
| Connections W [mm] | 18 |
| Filtering surface [cm ²] | 18 |
| Mesh-opening [mm] | 0,2 |
| Kv [m ³ /h] | 6 |
| PS [bar] | 140 |
| MWP [psi] (1) | 1740 |
| TS [°C] min. | -40 |
| TS [°C] max. | +150 |
| Package pcs | 15 |

Notes where expressly stated

(1): according to UL approval