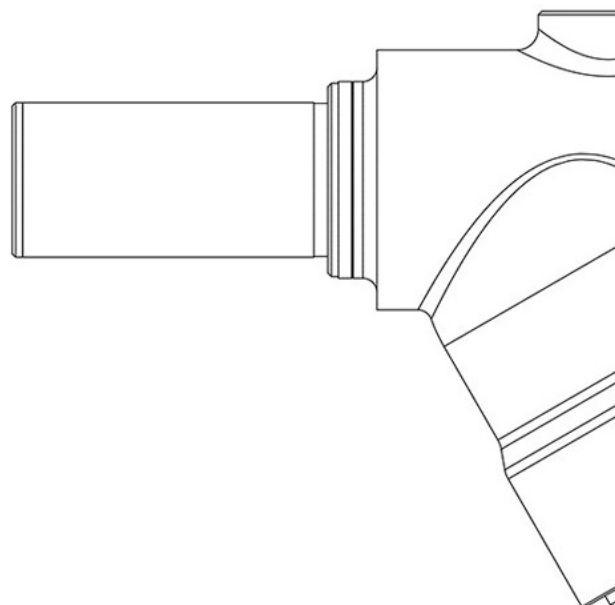


Product Code

**4728E/M16**

Strainer CO2

16mm W  
PS = 140 bar - 2030 PSI



**GO GREEN**

R744 • NATURAL REFRIGERANT

### Product use

Inspectionable strainers can be installed in all lines of a refrigeration system, wherever it is necessary to avoid the accumulation of dirt or slag in very delicate components (for example in back-pressure valves). Accessories for use with refrigerant R744.

### Product Details

Connections W [mm]	16
Filtering surface [cm <sup>2</sup> ]	13
Mesh-opening [mm]	0,1
Kv [m <sup>3</sup> /h]	3
PS [bar]	140
MWP [psi] (1)	2030
TS [°C] min.	-40
TS [°C] max.	+150
Package pcs	15

### Notes where expressly stated

(1): according to UL approval