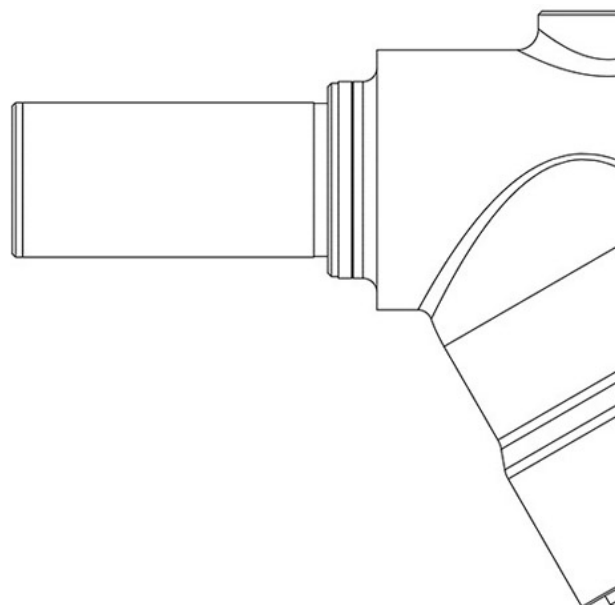


Product Code

4728E/M12

Strainer CO2

12mm W
PS = 140 bar - 2030 PSI



GO GREEN

R744 • NATURAL REFRIGERANT

Product use

Inspectionable strainers can be installed in all lines of a refrigeration system, wherever it is necessary to avoid the accumulation of dirt or slag in very delicate components (for example in back-pressure valves). Accessories for use with refrigerant R744.

Product Details

Connections W [mm]	12
Filtering surface [cm ²]	13
Mesh-opening [mm]	0,1
Kv [m ³ /h]	2,5
PS [bar]	140
MWP [psi] (1)	2030
TS [°C] min.	-40
TS [°C] max.	+150
Package pcs	15

Notes where expressly stated

(1): according to UL approval