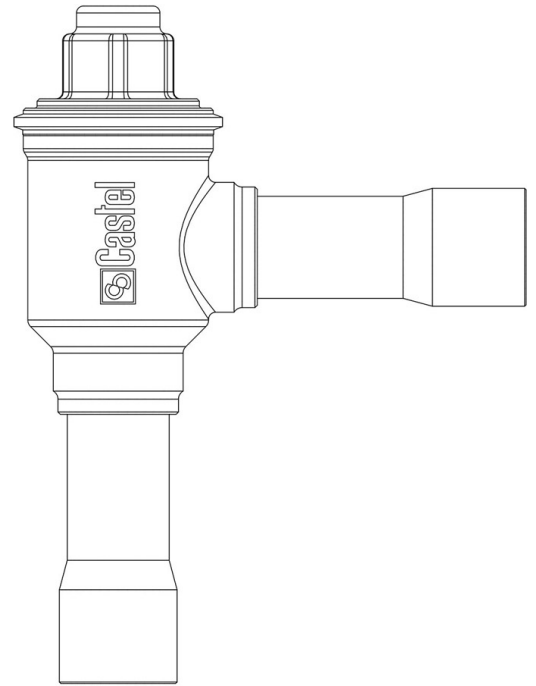


## Product Code

# 3185EW/M28

Right-angle check valve CO2  
28mm ODS <br>PS = 80 bar - 1160 PSI



## Product use

Accessories for use with refrigerant R744.

## Product Details

### Connections ODS Ø [in.]

Connections ODS Ø [mm]	28
------------------------	----

W Ø [mm]	
----------	--

Kv [m <sup>3</sup> /h]	19
------------------------	----

Differential pressure (2) [bar]	0,3
---------------------------------	-----

PS [bar]	80
----------	----

MWP [psi] (1)	1160
---------------	------

TS [°C] min.	-40
--------------	-----

TS [°C] max.	+150
--------------	------

Package pcs	1
-------------	---

## Notes where expressly stated

(1): according to UL approval

(2): minimum pressure at which the valve is completely open