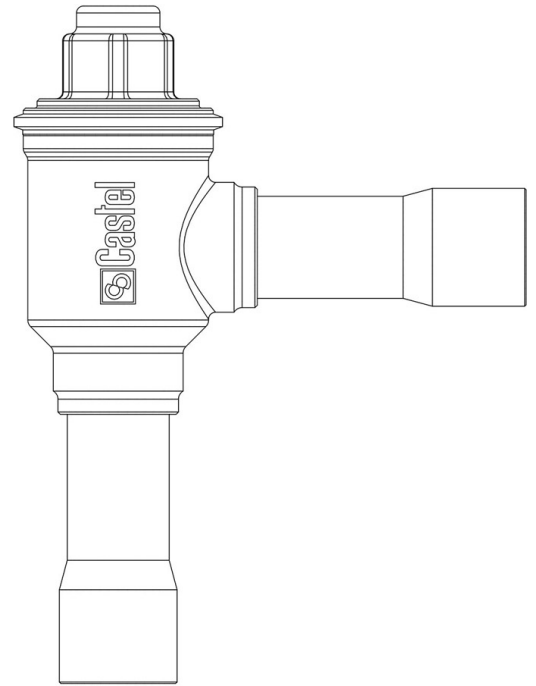


## Product Code

# 3185EW/7

Right-angle check valve CO2  
7/8"-22mm ODS<br>PS = 80 bar - 1160 PSI



### Product use

Accessories for use with refrigerant R744.

### Product Details

Connections ODS Ø [in.] 7/8"

Connections ODS Ø [mm] 22

W Ø [mm]

Kv [m<sup>3</sup>/h] 9

Differential pressure (2) [bar] 0,3

PS [bar] 80

MWP [psi] (1) 1160

TS [°C] min. -40

TS [°C] max. +150

Package pcs 14

### Notes where expressly stated

(1): according to UL approval

(2): minimum pressure at which the valve is completely open