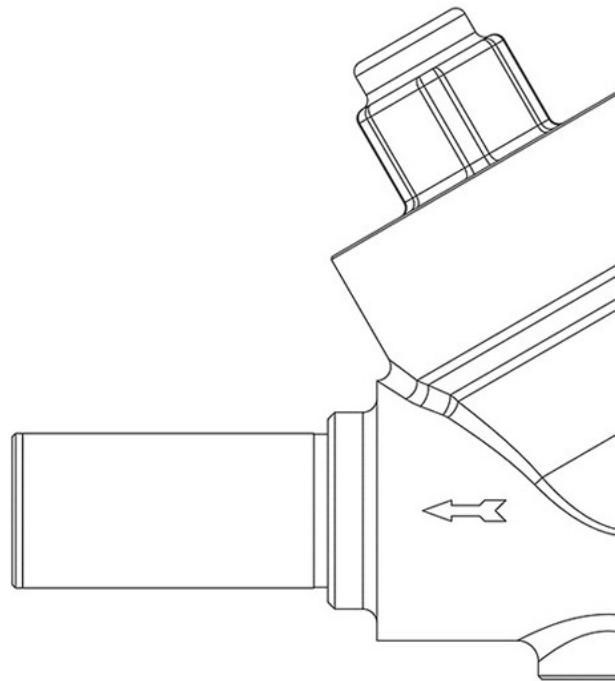


Product Code

**3148EW/M28**

Check Valve CO2  
28mm W  
PS = 140 bar - 2030 PSI



### Product use

Accessories for use with refrigerant R744.

### Product Details

Connections ODS Ø [in.] -

Connections ODS Ø [mm] -

W Ø [mm] 28

Kv [m<sup>3</sup>/h] 10,4

Differential pressure (2) [bar] 0,3

PS [bar] 140

MWP [psi] (1) 2030

TS [°C] min. -40

TS [°C] max. +150

Package pcs 8

### Notes where expressly stated

(1): according to UL approval

(2): minimum pressure at which the valve is completely open.