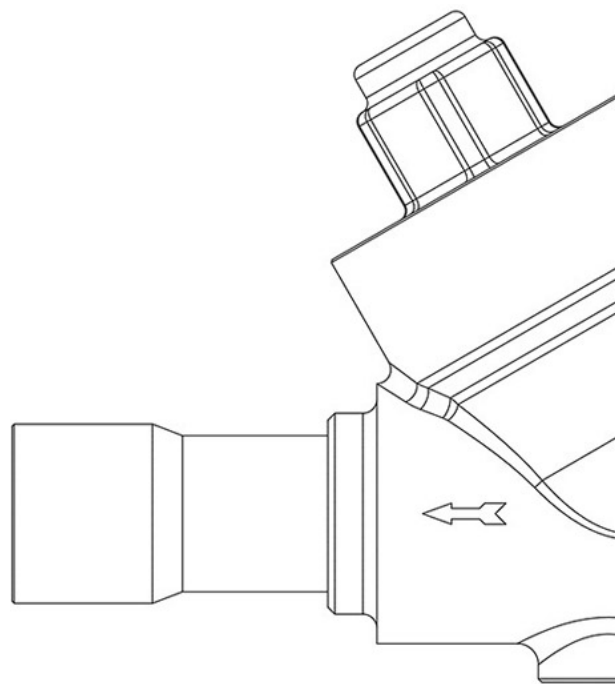


## Product Code

# 3147EW/11

1.3/8"-35mm ODS

1.3/8"-35mm ODS<br>PS = 130 bar - 1740 PSI



### Product use

Accessories for use with refrigerant R744.

### Product Details

Connections ODS Ø [in.] 1.3/8"

Connections ODS Ø [mm] 35

W Ø [mm] -

Kv [m<sup>3</sup>/h] 15,6

Differential pressure (2) [bar] 0,3

PS [bar] 130

MWP [psi] (1) 1740

TS [°C] min. -40

TS [°C] max. +150

Package pcs 5

### Notes where expressly stated

(1): according to UL approval

(2): minimum pressure at which the valve is completely open.