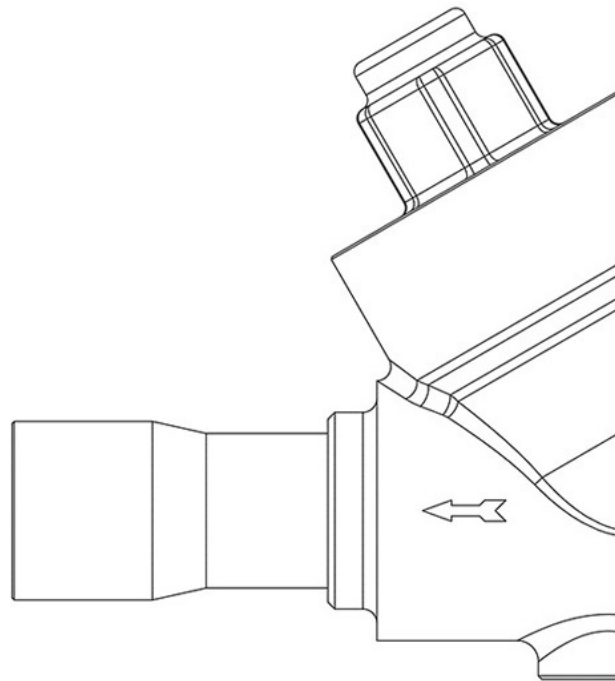


## Product Code

# 3145EW/M28

Check Valve CO2

28mm ODS<br>PS = 80 bar - 1160 PSI



## Product use

Accessories for use with refrigerant R744.

## Product Details

Connections ODS Ø [in.] -

Connections ODS Ø [mm] 28

W Ø [mm] -

Kv [m<sup>3</sup>/h] 10,4

Differential pressure (2) [bar] 0,3

PS [bar] 80

MWP [psi] (1) 1160

TS [°C] min. -40

TS [°C] max. +150

Package pcs 8

## Notes where expressly stated

(1): according to UL approval

(2): minimum pressure at which the valve is completely open.