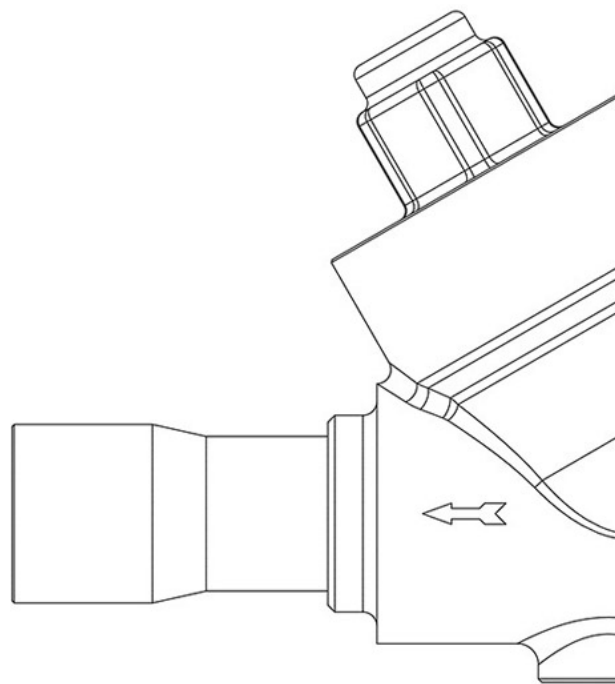


Product Code

3145EW/17

Check Valve CO2

2.1/8"-54mm ODS
PS = 80 bar - 1160 PSI



Product use

Accessories for use with refrigerant R744.

Product Details

Connections ODS Ø [in.] 2.1/8"

Connections ODS Ø [mm] 54

W Ø [mm] -

Kv [m³/h] 39

Differential pressure (2) [bar] 0,3

PS [bar] 80

MWP [psi] (1) 1160

TS [°C] min. -40

TS [°C] max. +150

Package pcs 1

Notes where expressly stated

(1): according to UL approval

(2): minimum pressure at which the valve is completely open.