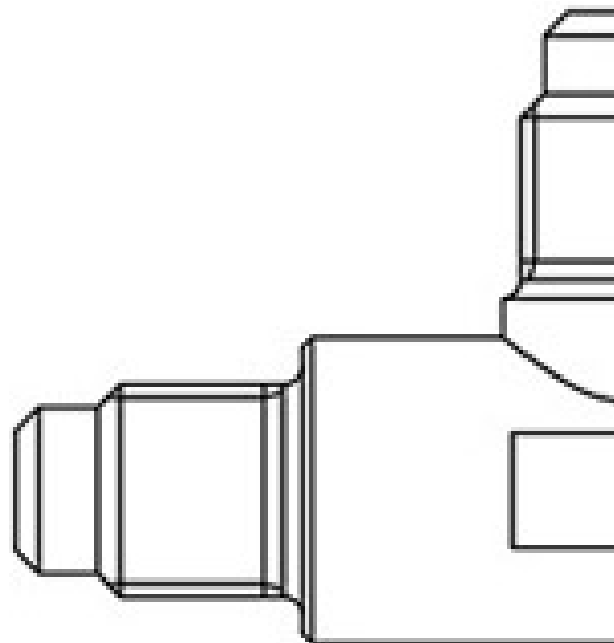


## Product Code

# 9900/X81

7-Ways Manifold



### Product use

Accessories for use with the following ASHRAE 34:2019 refrigerants, Class A1, A2L, or A3:

- HCFC (R22)
- HFC (R134a, R32, R404A, R407C, R410A, R507)
- HFO and HFO/HFC blends (R1234ze, R1234yf, R448A, R449A, R450A, R452A, R513A, R515A, R515B)
- HC (R290, R600, R600a, R1270)
- R744

### Product Details

<b>Input connection SAE Flare</b>	2 x 1/4"
<b>Lateral output connections</b>	3 x 1/4" SAE M + 2 x 1/4" SAE M
<b>Longitudinal output connection: -</b>	
<b>Lenght [mm]</b>	190
<b>PS [bar]</b>	45
<b>TS [°C] min.</b>	-40
<b>TS [°C] max.</b>	+150
<b>Fluids</b>	HC-HFC-HFO-R744
<b>Package pcs</b>	30

### Notes where expressly stated

(1): including fixation support 2xM10