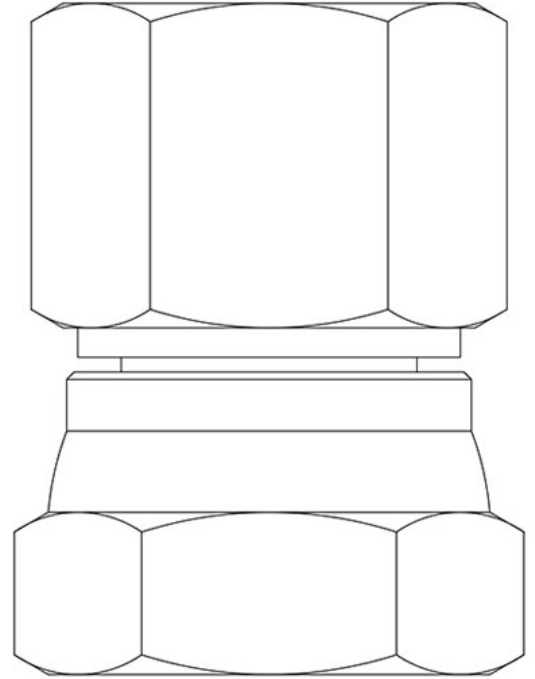


Product Code

3039/2

Two Connections for Changeover Valve
1/4"NPT
PS = 140 bar



Product use

Two female NPT threaded connections with swivel nut.
These components ensure perfect alignment of a pair of safety valves.
The connections series 3039 are made in two material versions:

- Zinc plated steel
- Stainless steel/Brass

Accessories for use with the following ASHRAE 34:2019 refrigerants, Class A1, A2L, or A3:

HFC (R134A, R32, R404A, R407C, R410A, R507)

HFO (R1234YF, R1234ZE)

HFO + HFC (R448A, R449A, R450A, R452A, R452B, R454A, R454B, R454C, R455A, R513A, R515A, R515B)

HC (R290, R600, R600A, R1270)

CO2 (R744)

Connections:

- 3/8" NPT-F 1/2" NPT-F

- 1/2" NPT-F

"

Product Details

Connection	1/4" NPT-F
Materials	Zinc plated steel
Package pcs.	20