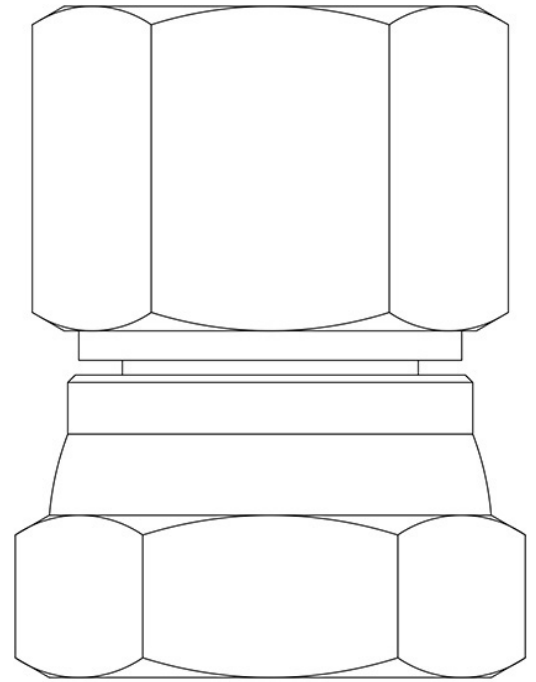


Product Code

**3039/3OT**

Two Connections for Changeover Valve  
3/8"NPT OT-Stainless Steel  
PS = 150 bar



## Product use

Two female NPT threaded connections with swivel nut.  
These components ensure perfect alignment of a pair of safety valves.  
The connections series 3039 are made in two material versions:  
- Zinc plated steel  
- Stainless steel/Brass

Accessories for use with the following ASHRAE 34:2019 refrigerants, Class A1, A2L, or A3:  
HFC (R134A, R32, R404A, R407C, R410A, R507)  
HFO (R1234YF, R1234ZE)  
HFO + HFC (R448A, R449A, R450A, R452A, R452B, R454A, R454B, R454C, R455A, R513A, R515A, R515B)  
HC (R290, R600, R600A, R1270)  
CO2 (R744)

Connections:  
- 3/8" NPT-F 1/2" NPT-F  
- 1/2" NPT-F  
"

## Product Details

<b>Connection</b>	3/8" ORS-F
<b>Materials</b>	Stainless steel/brass

