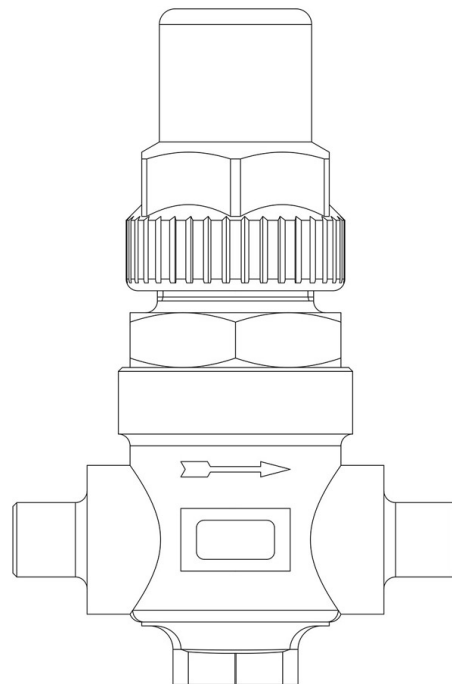


Product Code

6420E/3S3

Capped Valve CO2

3/8"Flare x 3/8"ODS
PS = 120 bar



Product use

Accessories for use with refrigerant R744.

Product Details

Connections SAE Flare 3/8" - OUT

Connections ODS Ø [in.] 3/8" - IN

ODS Ø [mm] -

Kv [m³/h] 1

PS[bar] 140

MWP [psi] (1) 2030

TS[°C] min. -40

TS[°C] max. +150

Package pcs 45

Notes where expressly stated

(1): according to UL approval