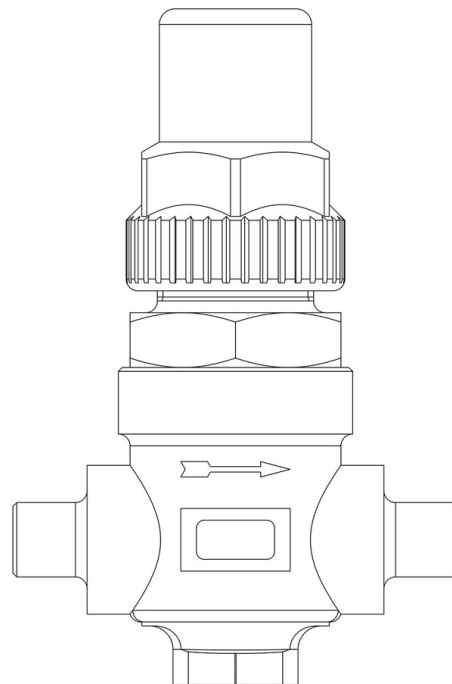


Product Code

6420E/3

Capped valve CO2
3/8"ODS
PS = 120 bar



Product use

Accessories for use with refrigerant R744.

Product Details

Connections SAE Flare	-
Connections ODS Ø [in.]	3/8"
ODS Ø [mm]	-
Kv [m³/h]	1
PS[bar]	140
MWP [psi] (1)	2030
TS[°C] min.	-40
TS[°C] max.	+150
Package pcs	45

Notes where expressly stated

(1): according to UL approval