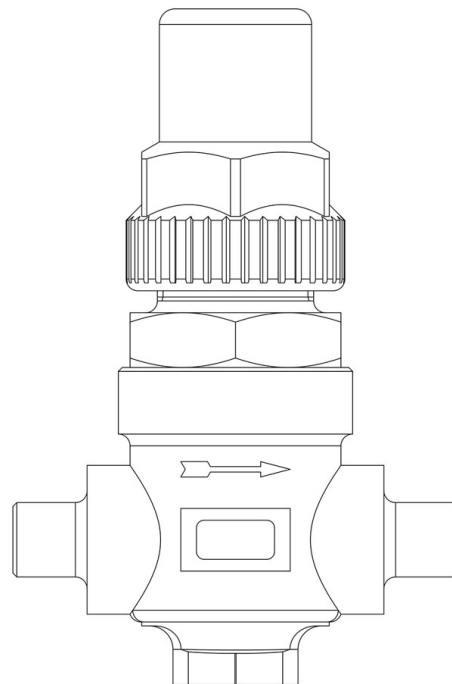


## Product Code

# 6410E/2

Capped Valve CO2

PS=120bar 1/4"Flare<br>PS = 60 bar



## Product use

Accessories for use with refrigerant R744.

## Product Details

Connections SAE Flare 1/4"

Connections ODS Ø [in.] -

ODS Ø [mm] -

Kv [m<sup>3</sup>/h] 0,4

PS[bar] 140

MWP [psi] (1) 2030

TS[°C] min. -40

TS[°C] max. +150

Package pcs 45

## Notes where expressly stated

(1): according to UL approval