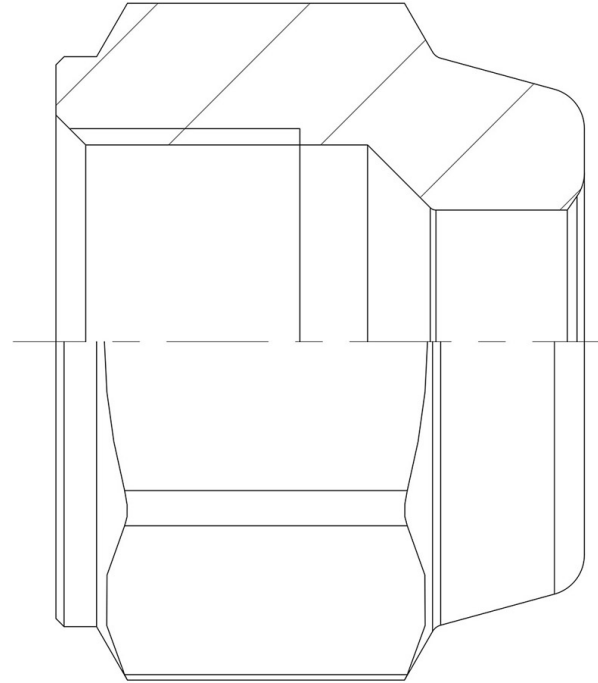


Product Code

7010/55

Nut

5/8"FlarexPipe5/8"
PS = 50 bar



Product use

Accessories for use with the following ASHRAE 34:2019 refrigerants, Class A1, A2L, or A3:

- HCFC (R22)
- HFC (R134a, R32, R404A, R407C, R410A, R507)
- HFO and HFO/HFC blends (R1234ze, R1234yf, R448A, R449A, R450A, R452A, R513A, R515A, R515B)
- HC (R290, R600, R600a, R1270)
- R744

Product Details

International code NS4-10

SAE Flare 5/8"

Copper Pipe Ø [in.] 5/8"

Copper Pipe Ø [mm] 16

PS [bar] 50

Package pcs 25

Notes where expressly stated