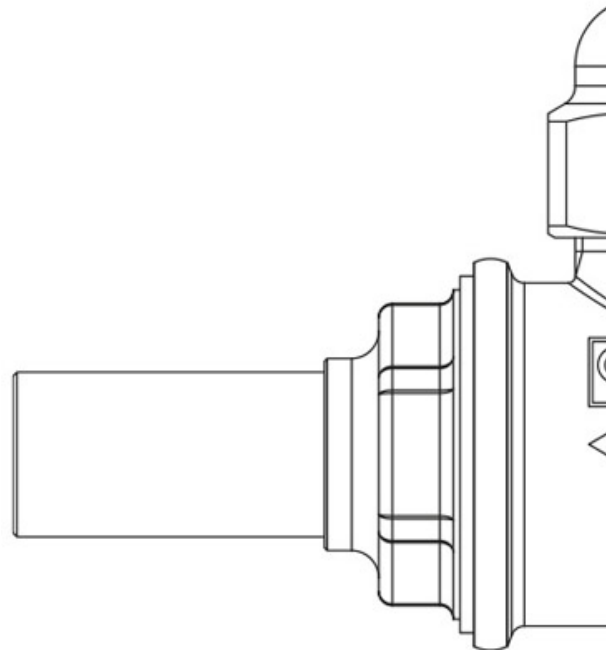


## Product Code

# 6588E/M60A

Ball Valve CO2 Access Port  
60mm W  
PS = 150 bar - 2176 PSI



## Product use

Accessories for use with refrigerant R744.

## Product Details

Connections W Ø [mm] 60,3

Ball port Ø [mm] 50

Kv [m<sup>3</sup>/h] 214

PS [bar] 150

MWP [psi] (1) 2176

TS [°C] min. -40

TS [°C] max. +150

Package pcs 1

## Notes where expressly stated

(1): according to UL approval

NB: proportional flow versions available