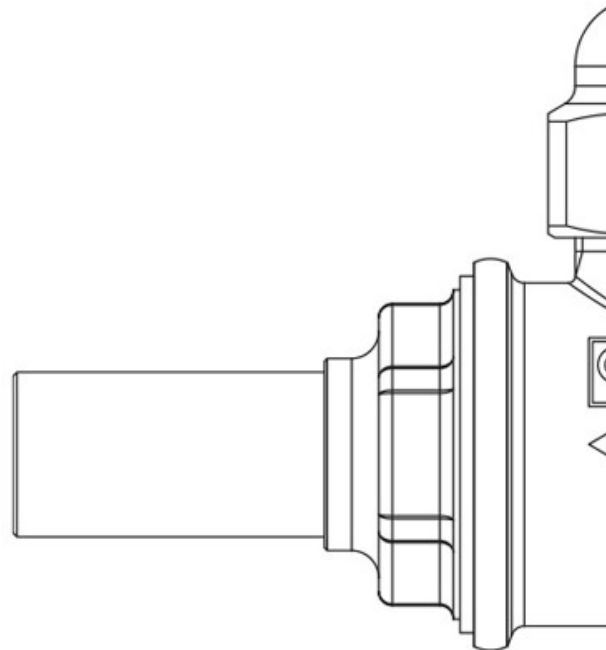


Product Code

6588E/M22A

Ball Valve CO2 Access Port
22mm W
PS = 150 bar - 2176 PSI



Product use

Accessories for use with refrigerant R744.

Product Details

| | |
|------------------------|------|
| Connections W Ø [mm] | 22 |
| Ball port Ø [mm] | 19 |
| Kv [m ³ /h] | 29 |
| PS [bar] | 150 |
| MWP [psi] (1) | 2176 |
| TS [°C] min. | -40 |
| TS [°C] max. | +150 |
| Package pcs | 15 |

Notes where expressly stated

(1): according to UL approval

NB: proportional flow versions available