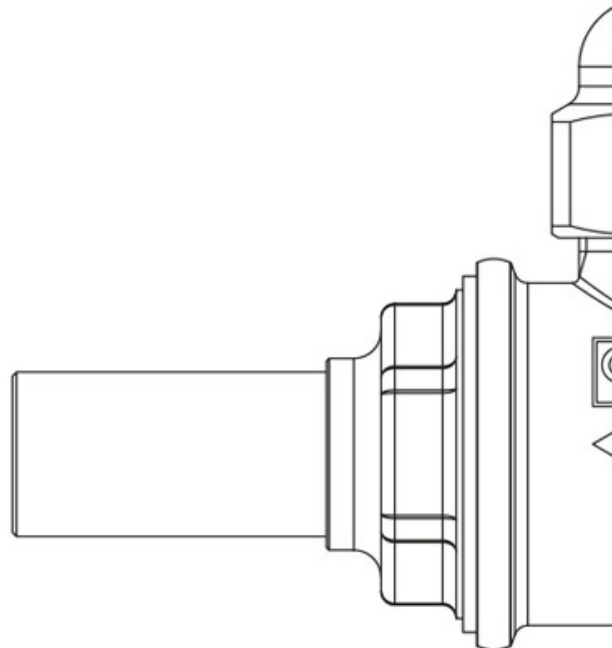


Product Code

6588E/M10

Ball Valve CO2

10mm W
PS = 150 bar - 2176 PSI



Product use

Accessories for use with refrigerant R744.

Product Details

Connections W Ø [mm] 10

Ball port Ø [mm] 10

Kv [m³/h] 3

PS [bar] 150

MWP [psi] (1) 2176

TS [°C] min. -40

TS [°C] max. +150

Package pcs 25

Notes where expressly stated

(1): according to UL approval

NB: proportional flow versions available