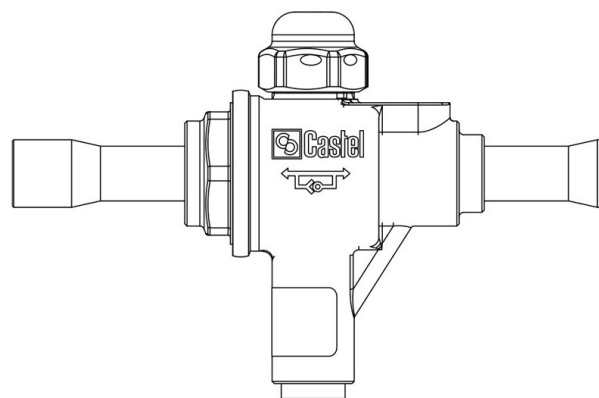


Product Code

6531 E/4

Ball Valve W/Check Valve CO2



Product use

Accessories for use with refrigerant R744.

Product Details

Connections ODS Ø [in.] 1/2"

Connections ODS Ø [mm] -

Ball port Ø [mm] 15

Kv [m³/h] 5

PS [bar] 90

MWP [psi] (1) 1305

TS [°C] min. -40

TS [°C] max. +150

Package pcs 24

Notes where expressly stated

(1): according to UL approval

Bypass MinOPD = 0,1bar

Bypass Kv = 0,14m³/h