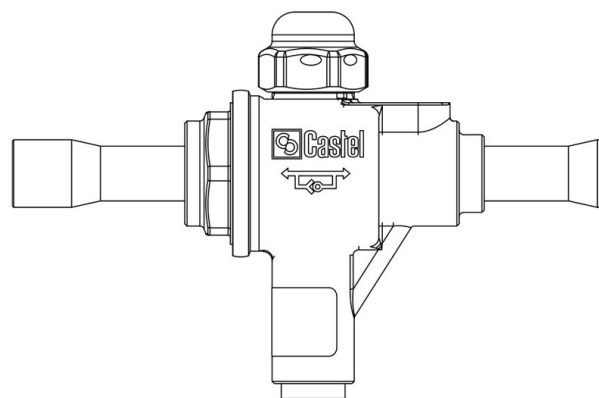


## Product Code

# 6531 E/3

Ball Valve W/Check Valve CO2



## Product use

Accessories for use with refrigerant R744.

## Product Details

Connections ODS Ø [in.] 3/8"

Connections ODS Ø [mm] -

Ball port Ø [mm] 15

Kv [m<sup>3</sup>/h] 3

PS [bar] 90

MWP [psi] (1) 1305

TS [°C] min. -40

TS [°C] max. +150

Package pcs 24

## Notes where expressly stated

(1): according to UL approval

Bypass MinOPD = 0,1bar

Bypass Kv = 0,14m<sup>3</sup>/h